

The logo for NILPAPA features the letters 'N', 'I', and 'L' in a dark grey, sans-serif font. The letter 'I' has a small green square above its top bar. The letters 'P', 'A', and the period are in a bright green, sans-serif font. The 'A' is stylized with a wide base and a small dark grey square at the bottom center.

NILPAPA

Enclosure, Panel and Cabinet Systems

www.nilpapano.com

ABOUT US

Our company Nilas Çelik A.Ş. was established in 2022 in line with our desire to take part as a manufacturer in the electricity sector, which we have been in since 2003. The main purpose of our Nilpa Pano brand within our company is to provide professional solutions to the needs of our customers in this field with our wide range of panel products that we produce in our facility located in Tekirdağ/Ergene.

Among our standard and specially designed products in our Nilpa Pano production area; Modular Standing Type Enclosures, Wall Type Enclosures, External Enclosures, Stainless Steel Enclosures, ABS Enclosures, Control Panels, Cable Trays, Rack Cabinets and Regulator Enclosures. In addition to these, special production enclosures can also be manufactured upon request.

We prioritise quality philosophy in our production processes by targeting maximum customer satisfaction. In this context, we offer our superior product quality in accordance with ISO 9001, ISO 14001 and OHSAS 18001 standards in accordance with environmental and occupational health and safety management systems.

We take our quality and business processes to the next level every day by increasing our R&D investments and closely follow the technological developments and innovations in the world. We attach importance to developing our production processes in line with the expectations by identifying the needs in advance, adopting the understanding of innovation and incorporating it into our work.

As Nilpa Pano, we are actively continuing our export activities in line with our goal of having a say in the world market. We plan to continue our export policy in many different regions of the world by expanding our trade volume.

Since the day we were founded, we continue to be the long-term solution partner of our customers in line with our goal of being the first choice in the sector and to provide services with confidence.



MISSION

Our main mission is to offer our customers the most innovative solutions of the highest quality by advancing with the goal of zero error in our production processes and by closely following technological developments in the world.



**THANKS FOR
CHOOSING US!**

VISION

Our vision is to be an internationally competitive, leading, reliable and sought-after brand in the power industry.

WHY CHOOSE US?



Wide range of products

We offer the ability to customize your orders with a wide range of products tailored specifically to your needs, allowing you to meet all your needs in one place.



Customer satisfaction

We prioritize customer satisfaction and ensure timely and smooth delivery of your orders without compromising on product quality.



Experienced staff

Our company, which always prioritizes the needs of our customers, employs experienced and qualified employees who are constantly upgrading their qualifications.



Innovative technology

We offer you the most innovative solutions thanks to our state-of-the-art equipment that meets the latest technological trends.



Quality assured products

We provide our customers with technical support in the various applications of our type-tested panels, which we produce in accordance with TS EN IEC 62208: 2023.

INDEX

N SERIES - FLOOR STANDING MODULAR ENCLOSURES

FLOOR STANDING MODULAR ENCLOSURE WITH MOUNTING PLATE	1
FLOOR STANDING MODULAR ENCLOSURE WITH DEAD FRONT	2
DOUBLE-DOOR FLOOR STANDING MODULAR ENCLOSURE WITH MOUNTING PLATE	3
MODULAR SYSTEM ENCLOSURE FRAME	4
FLOOR STANDING MODULAR ENCLOSURE FRAME WITH MOUNTING PLATE	5
FLOOR STANDING MODULAR METER BOX	6

I SERIES – OUTDOOR TYPE ENCLOSURE

FLOOR STANDING OUTDOOR TYPE ENCLOSURE WITH MOUNTING PLATE	7
FLOOR STANDING OUTDOOR TYPE ENCLOSURE WITH DEAD FRONT	7
WALL MOUNTED OUTDOOR TYPE ENCLOSURE WITH MOUNTING PLATE	8
WALL MOUNTED OUTDOOR TYPE ENCLOSURE WITH DEAD FRONT	8

L SERIES – WALL MOUNTED ENCLOSURE

SURFACE MOUNTED ENCLOSURE WITH MOUNTING PLATE	9
SURFACE MOUNTED ENCLOSURE WITH DEAD FRONT	10
SURFACE MOUNTED SEMI-MODULAR ENCLOSURE WITH DEAD FRONT	11
RECESSED ENCLOSURE WITH MOUNTING PLATE	12
RECESSED ENCLOSURE WITH DEAD FRONT	13
SURFACE MOUNTED DISTRIBUTION + LOW VOLTAGE BOARD	14
RECESSED DISTRIBUTION + LOW VOLTAGE BOARD	14

P SERIES- CONTROL PANEL

DESK CONSOLE	15
PULT-TYPE CONSOLE	16
KIOSK ENCLOSURE	16

A SERIES – CUSTOM ENCLOSURES

ELEVATOR CONTROL BOARDS	17
ENCLOSURE FOR CONSTRUCTION SITE INSTALLATION	17
MEDIUM-VOLTAGE ENCLOSURE	18
SUBSTATION KIOSKS	18

S SERIES – STAINLESS-STEEL ENCLOSURES

STAINLESS-STEEL ENCLOSURE WITH MOUNTING PLATE	19
SEMI-MODULAR STAINLESS-STEEL ENCLOSURE WITH MOUNTING PLATE	19

B SERIES – ABS ENCLOSURES

ABS ENCLOSURE WITH OPAQUE DOOR AND DEAD FRONT	20
ABS ENCLOSURE WITH CLEAR DOOR AND DEAD FRONT	20
ABS ENCLOSURE WITH OPAQUE DOOR	20
ABS ENCLOSURE WITH CLEAR DOOR	20

C SERIES - ADDITIONAL PRODUCTS

ROOF TYPE VENTILATION FAN	21
VENTILATION FILTERS	21
DATA POCKETS	21
DEAD FRONT / MOUNTING PLATE	22

R SERIES – VOLTAGE REGULATOR ENCLOSURE AND RACK CABINET

RACK CABINET	23
VOLTAGE REGULATOR ENCLOSURE	23

K SERIES - CABLE TRAYS

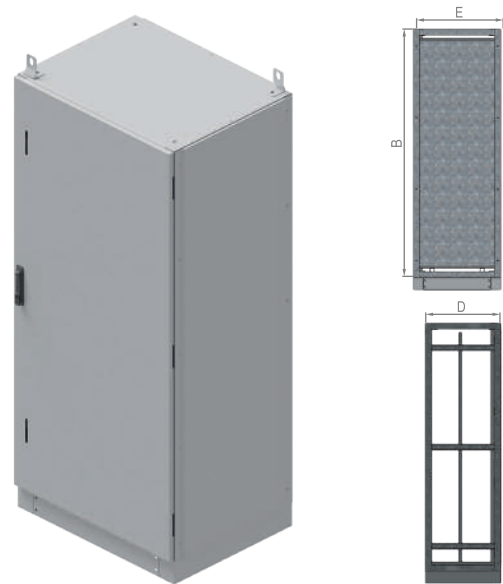
HEAVY DUTY CABLE TRAYS	24
TRAY BENDS	24
TRAY REDUCER	24

OUR CERTIFICATIONS

25

FLOOR STANDING MODULAR ENCLOSURE WITH MOUNTING PLATE

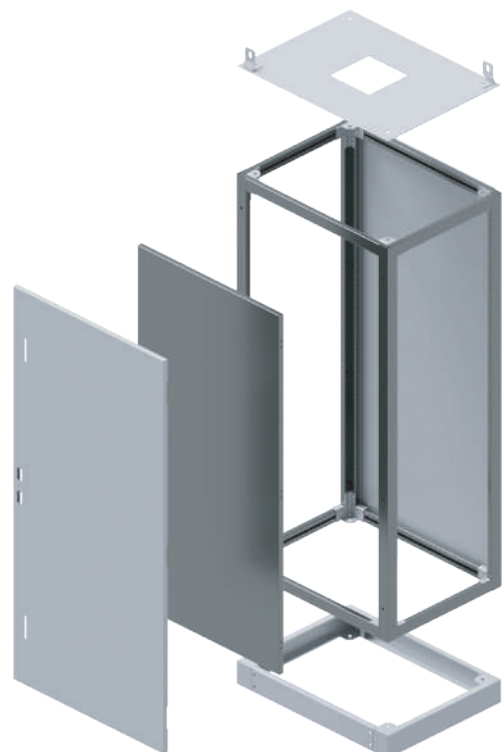
TECHNICAL SPECIFICATIONS	
Type	Floor Standing
Design	Modular
Area of Use	Industrial
Protection Class	IP 55
Colors	RAL 7035
Paint	Electrostatic Powder
Depth	400-600 mm
Width	400-800 mm
Height	1600-2000 mm
Door	Single Door
Option	with Mounting Plate



- The base is not included in the height measurements.
- When placing an order, the location of the openings on the doors for air filters, energy analyzers and alarms must be specified.
- Depending on preference, doors can be fitted with glass.
- The door is installed with concealed hinges and an Espagnolette lock.
- The rear and side plates have a similar design.

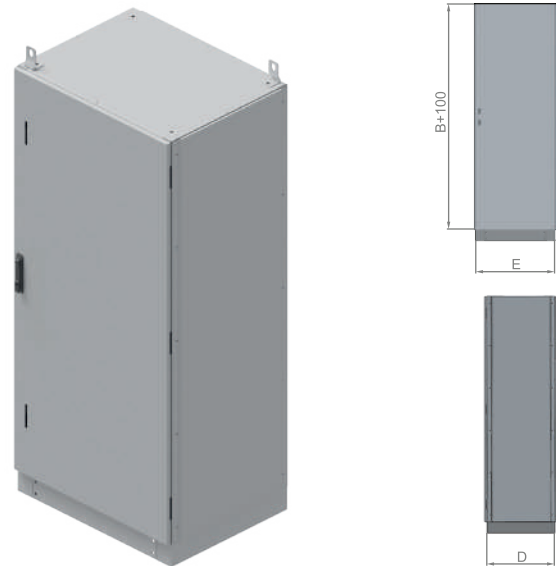
- The opening direction of the door can be changed.
- To ensure protection against moisture and dust, the doors have a polyurethane seal.
- Front and rear doors are available.
- Thanks to the modular design, enclosures can be connected in rows.
- Please contact our representative for prices.

PRODUCT CODE	WIDTH x LENGTH x DEPTH (cm)	MOUNTING PLATE (mm)
NP.MD.TS.40*160*40	40 x 160 x 40	348 x 1350
NP.MD.TS.50*160*40	50 x 160 x 40	448 x 1350
NP.MD.TS.60*160*40	60 x 160 x 40	548 x 1350
NP.MD.TS.40*160*50	40 x 160 x 50	348 x 1350
NP.MD.TS.50*160*50	50 x 160 x 50	448 x 1350
NP.MD.TS.60*160*50	60 x 160 x 50	548 x 1350
NP.MD.TS.40*180*40	40 x 180 x 40	348 x 1650
NP.MD.TS.50*180*40	50 x 180 x 40	448 x 1650
NP.MD.TS.60*180*40	60 x 180 x 40	548 x 1650
NP.MD.TS.40*180*50	40 x 180 x 50	348 x 1650
NP.MD.TS.50*180*50	50 x 180 x 50	448 x 1650
NP.MD.TS.60*180*50	60 x 180 x 50	548 x 1650
NP.MD.TS.70*180*50	70 x 180 x 50	648 x 1650
NP.MD.TS.50*200*40	50 x 200 x 40	448 x 1850
NP.MD.TS.60*200*40	60 x 200 x 40	548 x 1850
NP.MD.TS.70*200*40	70 x 200 x 40	648 x 1850
NP.MD.TS.50*200*50	50 x 200 x 50	448 x 1850
NP.MD.TS.60*200*50	60 x 200 x 50	548 x 1850
NP.MD.TS.70*200*50	70 x 200 x 50	648 x 1850
NP.MD.TS.80*200*50	80 x 200 x 50	748 x 1850
NP.MD.TS.70*200*60	70 x 200 x 60	648 x 1850
NP.MD.TS.80*200*60	80 x 200 x 60	748 x 1850



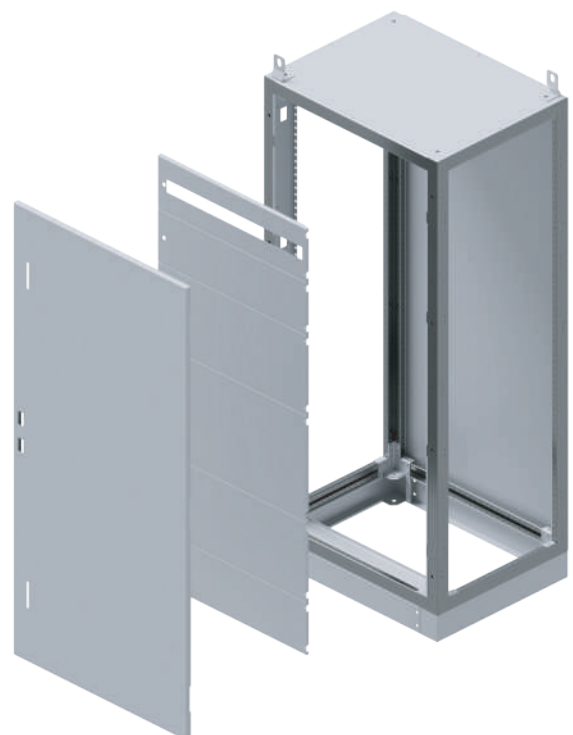
FLOOR STANDING MODULAR ENCLOSURE WITH DEAD FRONT

TECHNICAL SPECIFICATIONS	
Type	Floor Standing
Design	Modular
Area of Use	Industrial
Protection Class	IP 55
Colors	RAL 7035
Paint	Electrostatic Powder
Depth	400-600 mm
Width	400-800 mm
Height	1600-2000 mm
Door	Single Door
Option	with Dead Front



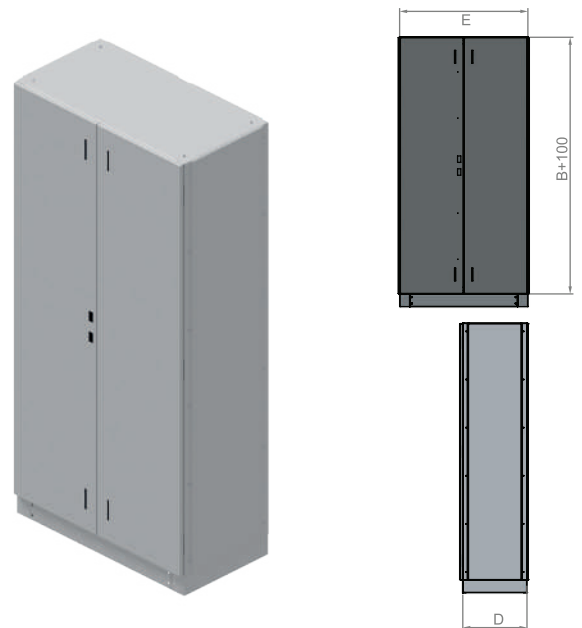
- The base is not included in the height measurements.
- When placing an order, the location of the openings on the doors for air filters, energy analyzers and alarms must be specified.
- With the modular hinged dead front system, it is possible to modify the dead front assembly.
- The design of the dead front can be modified, the dimensions of the dead front and internal cutouts must be specified when placing the order.
- The number of automats indicated in the table refers to one row.
- Front and rear doors are available. The opening direction of the front and rear doors can be changed.
- The polyurethane seal, Espagnolette lock and concealed hinges protect the doors from moisture and dust.
- Depending on preference, the doors can be fitted with glass.
- Thanks to the modular design, enclosures can be connected in rows.
- Please contact our representative for prices.

PRODUCT CODE	WIDTH x LENGTH x DEPTH (cm)	NUMBER OF AUTOMATS
NP.MD.PS.40*160*40	40 x 160 x 40	14
NP.MD.PS.50*160*40	50 x 160 x 40	19
NP.MD.PS.60*160*40	60 x 160 x 40	25
NP.MD.PS.40*160*50	40 x 160 x 50	14
NP.MD.PS.50*160*50	50 x 160 x 50	19
NP.MD.PS.60*160*50	60 x 160 x 50	25
NP.MD.PS.40*180*40	40 x 180 x 40	14
NP.MD.PS.50*180*40	50 x 180 x 40	19
NP.MD.PS.60*180*40	60 x 180 x 40	25
NP.MD.PS.40*180*50	40 x 180 x 50	14
NP.MD.PS.50*180*50	50 x 180 x 50	19
NP.MD.PS.60*180*50	60 x 180 x 50	25
NP.MD.PS.70*180*50	70 x 180 x 50	29
NP.MD.PS.50*200*40	50 x 200 x 40	19
NP.MD.PS.60*200*40	60 x 200 x 40	25
NP.MD.PS.70*200*40	70 x 200 x 40	29
NP.MD.PS.50*200*50	50 x 200 x 50	19
NP.MD.PS.60*200*50	60 x 200 x 50	25
NP.MD.PS.70*200*50	70 x 200 x 50	29
NP.MD.PS.80*200*50	80 x 200 x 50	35
NP.MD.PS.70*200*60	70 x 200 x 60	29
NP.MD.PS.80*200*60	80 x 200 x 60	35



DOUBLE-DOOR FLOOR STANDING MODULAR ENCLOSURE WITH MOUNTING PLATE

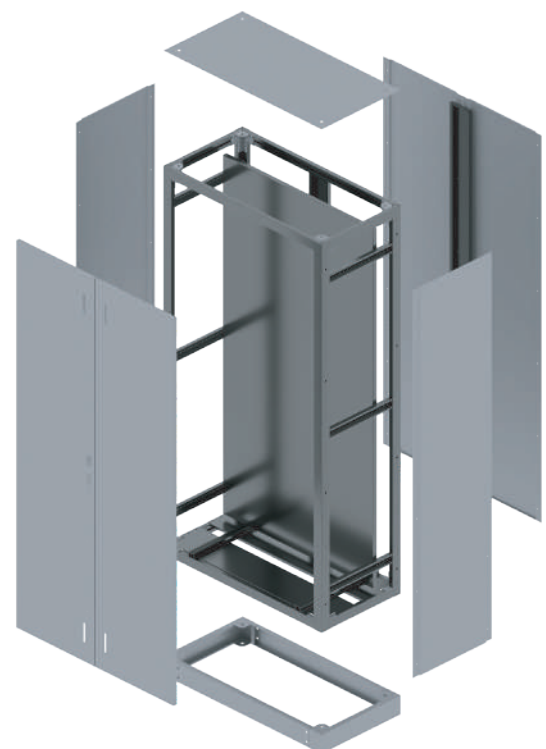
TECHNICAL SPECIFICATIONS	
Type	Floor Standing
Design	Modular
Area of Use	Industrial
Protection Class	IP 55
Colors	RAL 7035
Paint	Electrostatic Powder
Depth	400-500 mm
Width	1200 mm
Height	1600-2000 mm
Door	Double door
Option	with Mounting Plate



- The base is not included in the height measurements.
- The opening direction of the door can be changed.
- The door is installed with concealed hinges and an Espagnolette lock.
- The rear and side plates have a similar design.
- When placing an order, the location of the openings on the doors for air filters, energy analyzers and alarms must be specified.

- Depending on preference, doors can be fitted with glass.
- Thanks to the modular design, enclosures can be connected in rows.
- To ensure protection against moisture and dust, the doors have a polyurethane seal.
- Front and rear doors are available.
- Please contact our representative for prices.

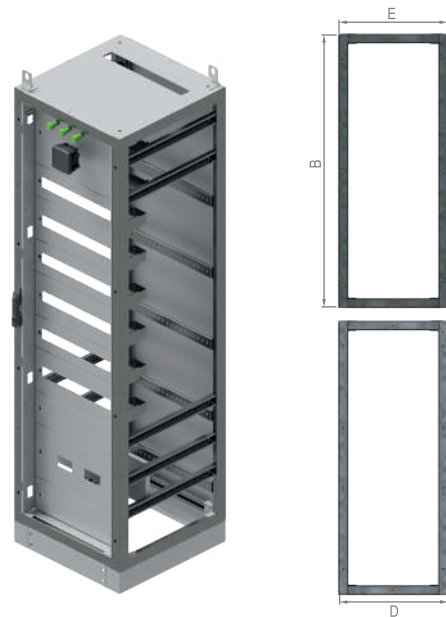
PRODUCT CODE	WIDTH x LENGTH x DEPTH (cm)	MOUNTING PLATE (mm)
NP.MD.TSÇ.120*160*40	120 x 160 x 40	1048 x 1350
NP.MD.TSÇ.120*180*40	120 x 180 x 40	1048 x 1550
NP.MD.TSÇ.120*200*40	120 x 200 x 40	1048 x 1850
NP.MD.TSÇ.120*160*50	120 x 160 x 50	1048 x 1350
NP.MD.TSÇ.120*180*50	120 x 180 x 50	1048 x 1550
NP.MD.TSÇ.120*200*50	120 x 200 x 50	1048 x 1850



MODULAR SYSTEM ENCLOSURE FRAME

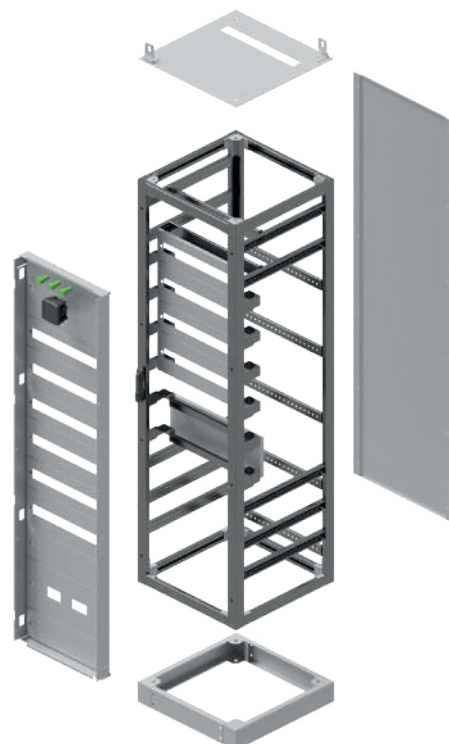
NILPA

TECHNICAL SPECIFICATIONS	
Type	Floor standing
Design	Modular
Plate Thickness	1,5 mm
Type of material	Galvanized steel
Depth	400 - 600 mm
Width	400 - 800 mm
Height	1600 - 2000 mm



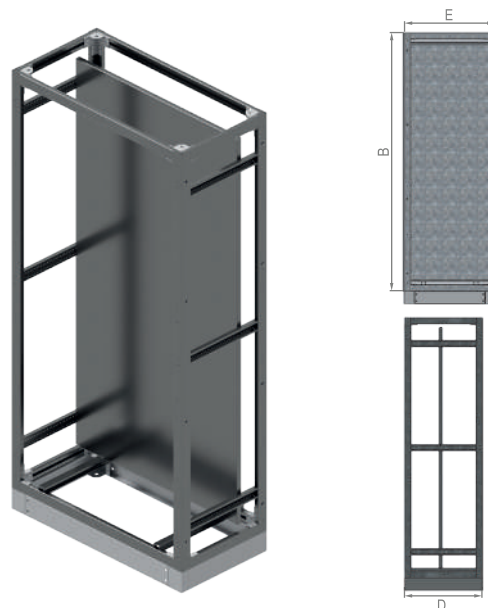
- The base is not included in the height measurements.
- Thanks to the fully modular, seamless design, frame can be modified.
- Please contact our representative for prices.

PRODUCT CODE	WIDTH x HEIGHT x DEPTH (cm)
NP.MD.K.40*160*40	40 x 160 x 40
NP.MD.K.50*160*40	50 x 160 x 40
NP.MD.K.60*160*40	60 x 160 x 40
NP.MD.K.40*160*50	40 x 160 x 50
NP.MD.K.50*160*50	50 x 160 x 50
NP.MD.K.60*160*50	60 x 160 x 50
NP.MD.K.40*180*40	40 x 180 x 40
NP.MD.K.50*180*40	50 x 180 x 40
NP.MD.K.60*180*40	60 x 180 x 40
NP.MD.K.40*180*50	40 x 180 x 50
NP.MD.K.50*180*50	50 x 180 x 50
NP.MD.K.60*180*50	60 x 180 x 50
NP.MD.K.70*180*50	70 x 180 x 50
NP.MD.K.50*200*40	50 x 200 x 40
NP.MD.K.60*200*40	60 x 200 x 40
NP.MD.K.70*200*40	70 x 200 x 40
NP.MD.K.50*200*50	50 x 200 x 50
NP.MD.K.60*200*50	60 x 200 x 50
NP.MD.K.70*200*50	70 x 200 x 50
NP.MD.K.80*200*50	80 x 200 x 50
NP.MD.K.70*200*60	70 x 200 x 60
NP.MD.K.80*200*60	80 x 200 x 60



FLOOR STANDING MODULAR ENCLOSURE FRAME WITH MOUNTING PLATE

TECHNICAL SPECIFICATIONS	
Type	Floor Standing
Design	Modular
Plate Thickness	1,5 mm
Type of material	Galvanized Steel
Depth	400 - 600 mm
Width	400 - 800 mm
Height	1600 - 2000 mm



- The base is not included in the height measurements.
- Thanks to the fully modular, seamless design, frame can be modified.
- Please contact our representative for prices.

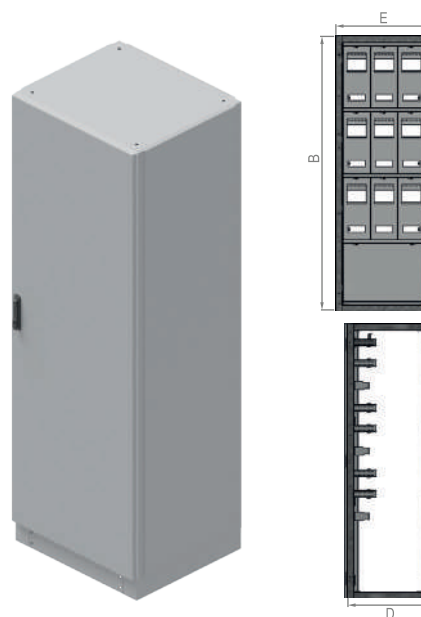
PRODUCT CODE	WIDTH x HEIGHT x DEPTH (cm)	MOUNTING PLATE (mm)
NP.MD.K.TS.40*160*40	40 x 160 x 40	348 x 1450
NP.MD.K.TS.50*160*40	50 x 160 x 40	448 x 1450
NP.MD.K.TS.60*160*40	60 x 160 x 40	548 x 1450
NP.MD.K.TS.40*160*50	40 x 160 x 50	348 x 1450
NP.MD.K.TS.50*160*50	50 x 160 x 50	448 x 1450
NP.MD.K.TS.60*160*50	60 x 160 x 50	548 x 1450
NP.MD.K.TS.40*180*40	40 x 180 x 40	348 x 1650
NP.MD.K.TS.50*180*40	50 x 180 x 40	448 x 1650
NP.MD.K.TS.60*180*40	60 x 180 x 40	548 x 1650
NP.MD.K.TS.40*180*50	40 x 180 x 50	348 x 1650
NP.MD.K.TS.50*180*50	50 x 180 x 50	448 x 1650
NP.MD.K.TS.60*180*50	60 x 180 x 50	548 x 1650
NP.MD.K.TS.70*180*50	70 x 180 x 50	648 x 1650
NP.MD.K.TS.50*200*40	50 x 200 x 40	448 x 1850
NP.MD.K.TS.60*200*40	60 x 200 x 40	548 x 1850
NP.MD.K.TS.70*200*40	70 x 200 x 40	648 x 1850
NP.MD.K.TS.50*200*50	50 x 200 x 50	448 x 1850
NP.MD.K.TS.60*200*50	60 x 200 x 50	548 x 1850
NP.MD.K.TS.70*200*50	70 x 200 x 50	648 x 1850
NP.MD.K.TS.80*200*50	80 x 200 x 50	748 x 1850
NP.MD.K.TS.70*200*60	70 x 200 x 60	648 x 1850
NP.MD.K.TS.80*200*60	80 x 200 x 60	748 x 1850



FLOOR STANDING MODULAR METER BOX

NILPA

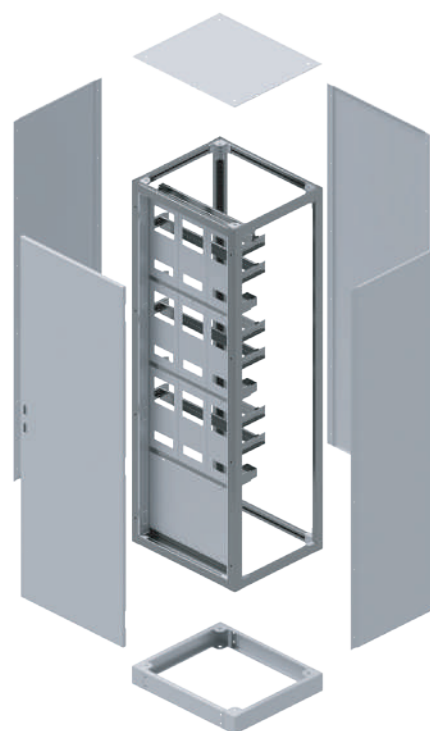
TECHNICAL SPECIFICATIONS	
Type	Floor Standing
Design	Modular
Area of Use	Industrial
Protection Class	IP 55
Colors	RAL 7035
Paint	Electrostatic Powder
Depth	400-500 mm
Width	400-900 mm
Height	1600-2000 mm
Door	Single-Double door
Option	with Dead Front



- The opening direction of the door can be changed.
- The door is installed with concealed hinges and an Espagnolette lock.
- The rear and side plates have a similar design.
- When placing an order, the location of the openings on the doors for air filters, energy analyzers and alarms must be specified.
- Depending on preference, doors can be fitted with glass.

- The meter compartments can be modified on request.
- Thanks to the modular design, enclosures can be connected in rows.
- To ensure protection against moisture and dust, the doors have a polyurethane seal.
- Front and rear doors are available.
- Please contact our representative for prices.

PRODUCT CODE	WIDTH x HEIGHT x DEPTH (cm)	NUMBER OF METERS
NP.MD.SP.40*160*40	40 x 160 x 40	5
NP.MD.SP.50*160*40	50 x 160 x 40	5
NP.MD.SP.60*160*40	60 x 160 x 40	7
NP.MD.SP.40*160*50	40 x 160 x 50	5
NP.MD.SP.50*160*50	50 x 160 x 50	5
NP.MD.SP.60*160*60	60 x 160 x 60	7
NP.MD.SP.40*180*40	40 x 180 x 40	5
NP.MD.SP.50*180*50	50 x 180 x 50	5
NP.MD.SP.60*180*60	60 x 180 x 60	7
NP.MD.SP.40*180*40	40 x 180 x 40	5
NP.MD.SP.50*180*50	50 x 180 x 50	5
NP.MD.SP.60*180*60	60 x 180 x 60	7
NP.MD.SP.40*200*40	40 x 200 x 40	5
NP.MD.SP.50*200*50	50 x 200 x 50	5
NP.MD.SP.60*200*60	60 x 200 x 60	7
NP.MD.SP.40*200*40	40 x 200 x 40	5
NP.MD.SP.50*200*50	50 x 200 x 50	5
NP.MD.SP.60*200*60	60 x 200 x 60	7
NP.MD.SP.90*200*50	90 x 200 x 50	14



FLOOR STANDING OUTDOOR TYPE ENCLOSURES

Floor Standing Outdoor Type Enclosure with Mounting Plate

TECHNICAL SPECIFICATIONS

Type	Semi-Modular
Design	Outdoor Type
Area of Use	Industrial
Protection Class	IP 65
Colors	RAL 7035
Paint	Electrostatic Powder
Depth	400-500 mm
Width	600-1000 mm
Height	1500-2000 mm
Door	Single-Double door
Option	with Mounting Plate

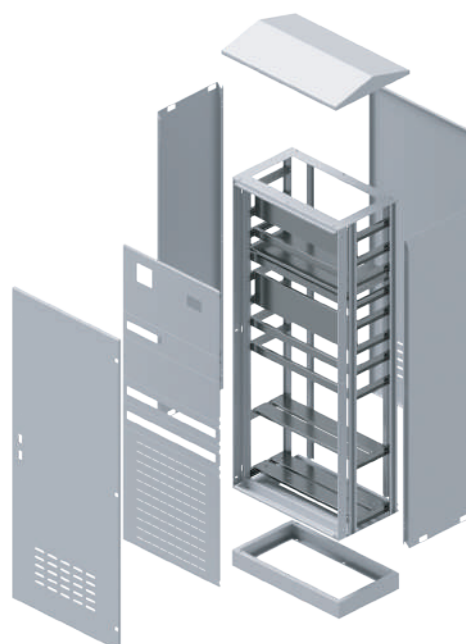


- The base is not included in the height measurements.
- When placing an order, the location of the openings on the doors for air filters, energy analyzers and alarms must be specified.
- Depending on preference, doors can be fitted with glass.
- The door is installed with concealed hinges and an Espagnolette lock.
- The opening direction of the door can be changed.
- To ensure protection against moisture and dust, the doors have a polyurethane seal.
- Asymmetrical roof is used to divert rainwater away from the enclosure.
- Please contact our representative for prices.

Floor Standing Outdoor Type Enclosure with Dead Front

TECHNICAL SPECIFICATIONS

Type	Semi-Modular
Design	Outdoor Type
Area of Use	Industrial
Protection Class	IP 65
Colors	RAL 7035
Paint	Electrostatic Powder
Depth	400-500 mm
Width	600-900 mm
Height	1500-2000 mm
Door	Single-Double door
Option	with Dead Front

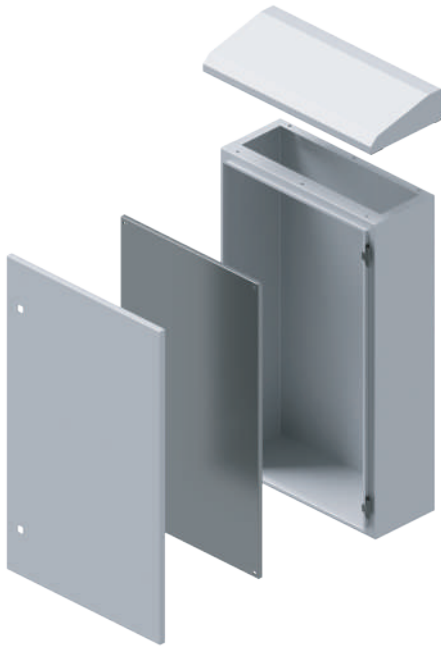


**WALL MOUNTED
OUTDOOR TYPE ENCLOSURES**

Wall Mounted Outdoor Type Enclosure with Mounting Plate

TECHNICAL SPECIFICATIONS

Type	Welded
Design	Outdoor Type
Area of Use	Industrial
Protection Class	IP 65
Colors	RAL 7035
Paint	Electrostatic Powder
Depth	250-300 mm
Width	400-900 mm
Height	600-1200 mm
Door	Single-Double door
Option	with Mounting Plate



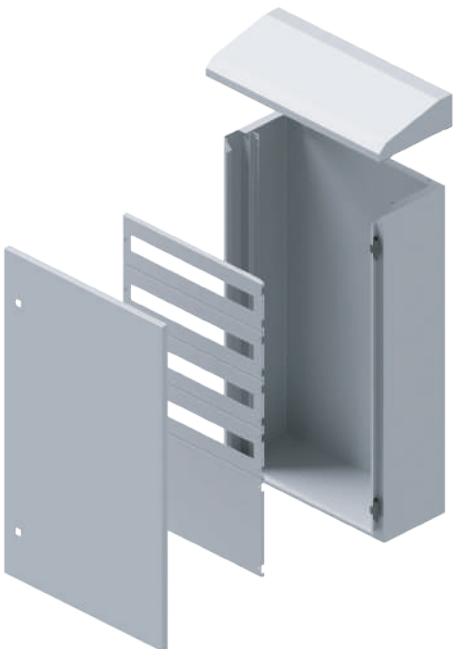
- When placing an order, the location of the openings on the doors for air filters, energy analyzers and alarms must be specified.
- Depending on preference, doors can be fitted with glass.
- To ensure protection against moisture and dust, the doors have a polyurethane seal.
- The door is installed with concealed hinges and an Espagnolette lock.

- The opening direction of the door can be changed.
- Asymmetrical roof is used to divert rainwater away from the enclosure.
- For enclosures with dead front, the dimensions of the dead front and internal cutouts must be specified when placing the order.
- Please contact our representative for prices.

Wall Mounted Outdoor Type Enclosure with Dead Front

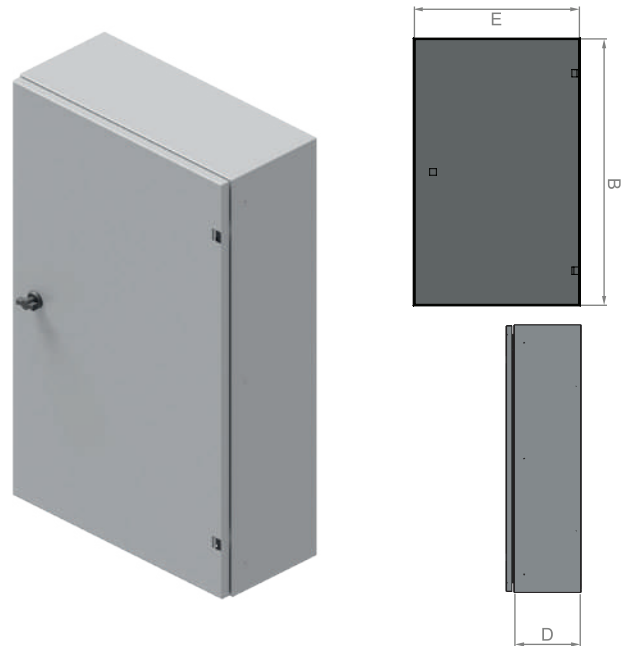
TECHNICAL SPECIFICATIONS

Type	Welded
Design	Outdoor Type
Area of Use	Industrial
Protection Class	IP 65
Colors	RAL 7035
Paint	Electrostatic Powder
Depth	200 mm
Width	400-900 mm
Height	600-1200 mm
Door	Single-Double door
Option	with Dead Front



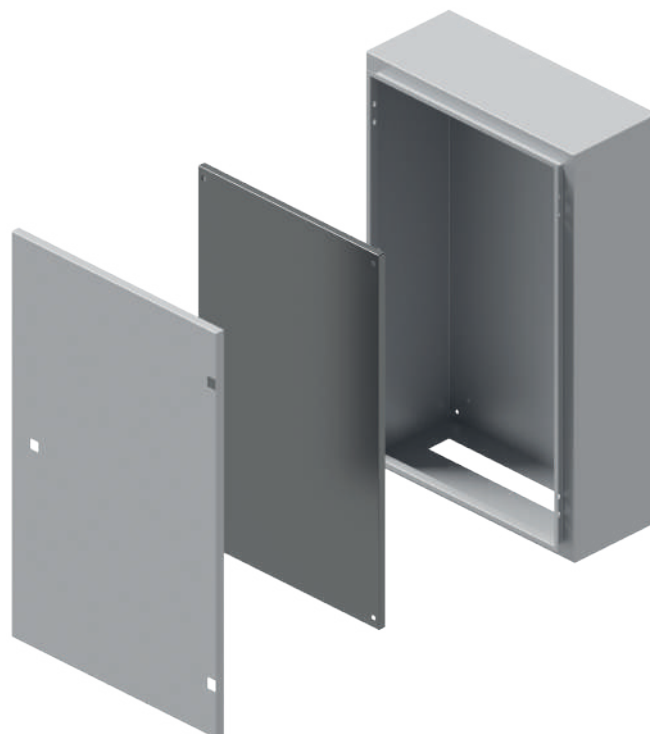
SURFACE MOUNTED ENCLOSURE WITH MOUNTING PLATE

TECHNICAL SPECIFICATIONS	
Type	Welded
Design	Surface Mounted
Area of Use	Industrial
Protection Class	IP 55
Colors	RAL 7035
Paint	Electrostatic Powder
Depth	150-300 mm
Width	300-800 mm
Height	400-1000 mm
Door	Single-Double door
Option	with Mounting Plate



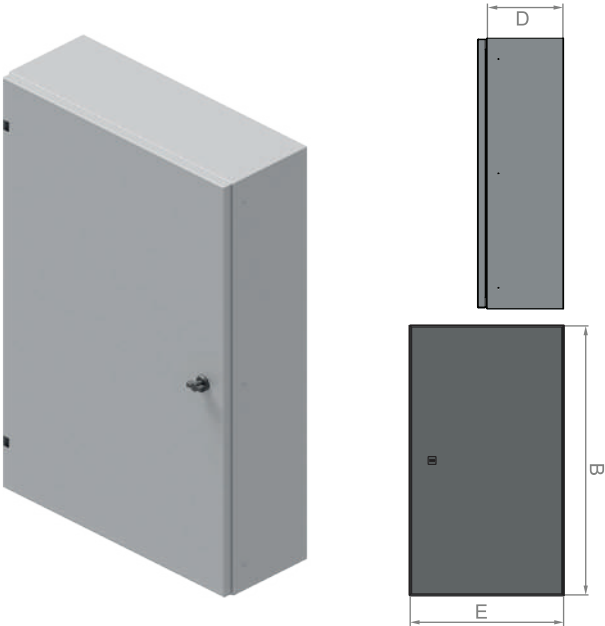
- When placing an order, the location of the openings on the doors for air filters, energy analyzers and alarms must be specified.
- The opening direction of the door can be changed.
- Wall brackets are available to facilitate the mounting of enclosures to the wall.

- To ensure protection against moisture and dust, the doors have a polyurethane seal.
- Depending on preference, the doors can be fitted with glass.
- Please contact our representative for prices.

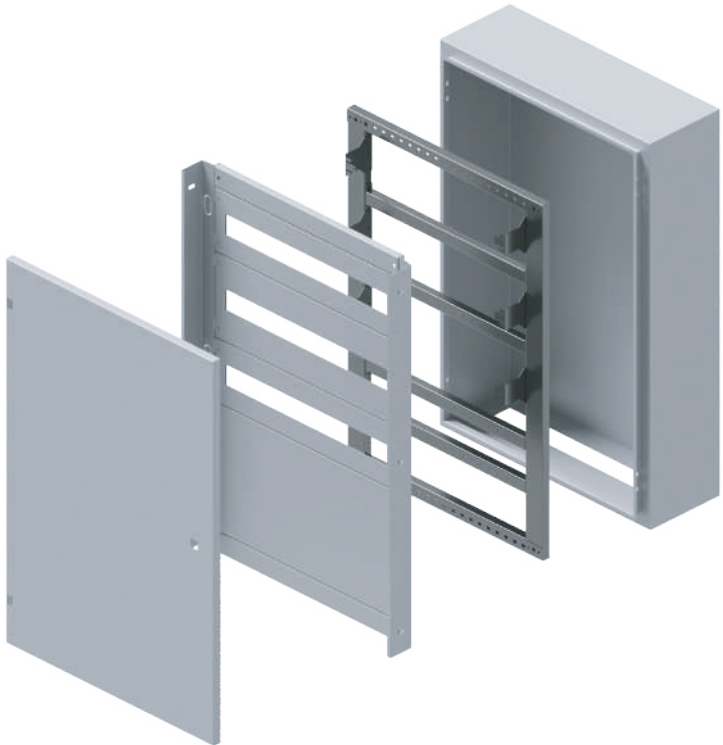


**SURFACE MOUNTED
ENCLOSURE WITH DEAD FRONT**

TECHNICAL SPECIFICATIONS	
Type	Modular
Design	Surface Mounted
Area of Use	Industrial
Protection Class	IP 55
Colors	RAL 7035
Paint	Electrostatic Powder
Depth	150-250 mm
Width	400-800 mm
Height	500-1000 mm
Door	Single-Double door
Option	with Dead Front

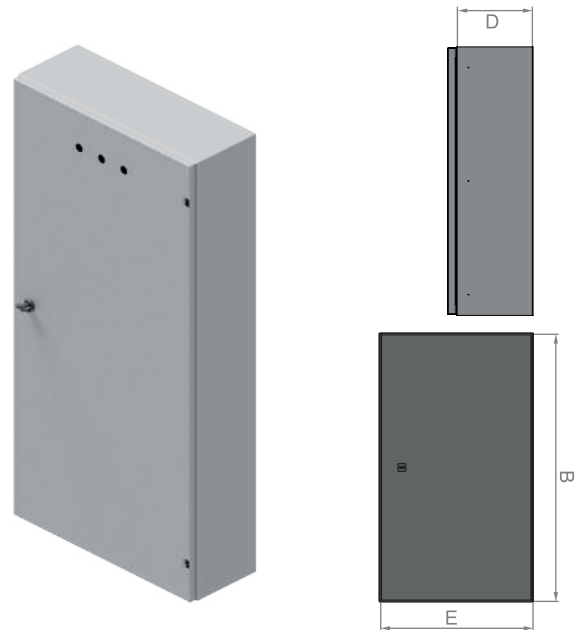


- The design of the dead front can be modified on request.
- For enclosures with dead front, the dimensions of the dead front and internal cutouts must be specified when placing the order.
- Door is equipped with concealed hinges and a butterfly lock.
- Depending on preference, the doors can be fitted with glass.
- The opening direction of the door can be changed.
- Wall brackets are available to facilitate the mounting of enclosures to the wall.
- To ensure protection against moisture and dust, the doors have a polyurethane seal.
- When placing an order, the location of the openings on the doors for air filters, energy analyzers and alarms must be specified.
- Please contact our representative for prices.



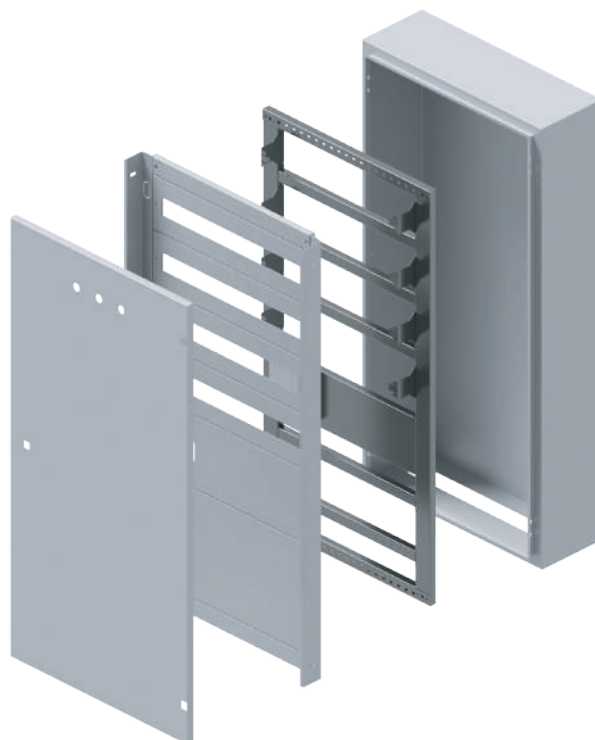
SURFACE MOUNTED SEMI-MODULAR ENCLOSURE WITH DEAD FRONT

TECHNICAL SPECIFICATIONS	
Type	Welded
Design	Surface Mounted
Area of Use	Industrial
Protection Class	IP 55
Colors	RAL 7035
Paint	Electrostatic Powder
Depth	150-400 mm
Width	400-800 mm
Height	500-1000 mm
Door	Single-Double door
Option	with Dead Front



- The design of the dead front can be modified on request, please specify the dimensions of the dead front and internal cut-outs when placing the order.
- When placing an order, the location of the openings on the doors for air filters, energy analyzers and alarms must be specified.
- Door is equipped with concealed hinges and a butterfly lock.

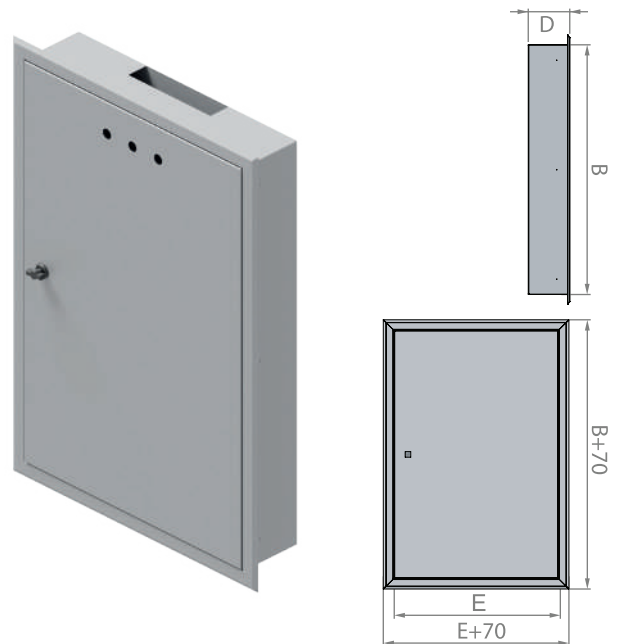
- Wall brackets are available to facilitate the mounting of enclosures to the wall.
- Depending on preference, the doors can be equipped with glass and the direction of opening can be changed.
- To ensure protection against moisture and dust, the doors have a polyurethane seal.
- Please contact our representative for prices.



RECESSED ENCLOSURE WITH MOUNTING PLATE

NILPA

TECHNICAL SPECIFICATIONS	
Type	Welded
Design	Recessed
Area of Use	Industrial
Protection Class	IP 55
Colors	RAL 7035
Paint	Electrostatic Powder
Depth	100-175 mm
Width	300-800 mm
Height	400-1000 mm
Door	Single-Double door
Option	with Mounting Plate



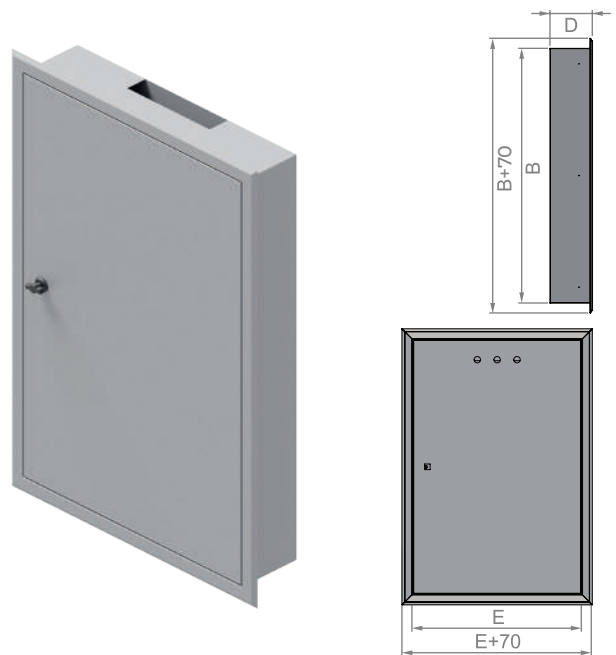
- When placing an order, the location of the openings on the doors for air filters, energy analyzers and alarms must be specified.
- Depending on preference, the doors can be equipped with glass.
- The opening direction of the door can be changed.

- To ensure protection against moisture and dust, the doors have a polyurethane seal.
- Door is equipped with concealed hinges and a butterfly lock.
- Please contact our representative for prices.

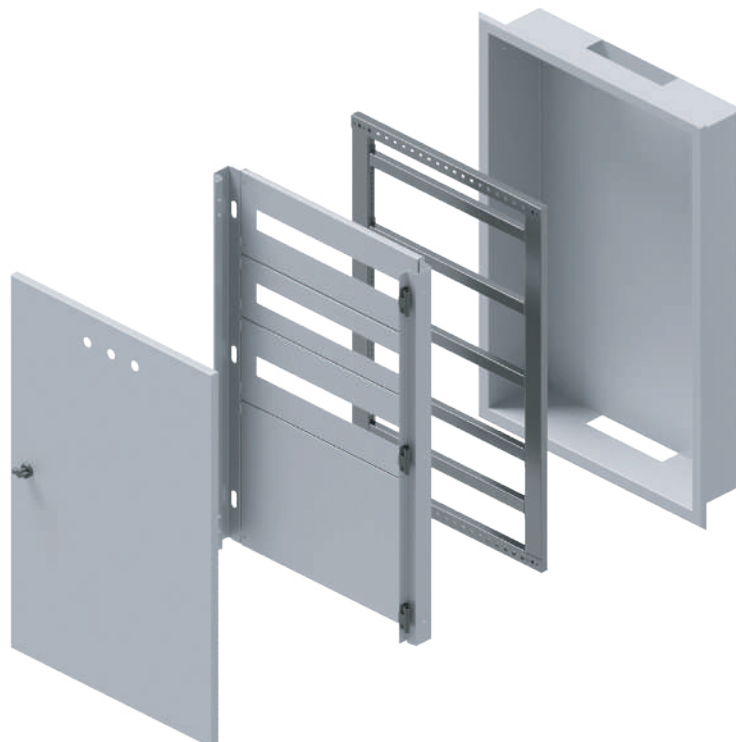


RECESSED ENCLOSURE WITH DEAD FRONT

TECHNICAL SPECIFICATIONS	
Type	Welded
Design	Recessed
Area of Use	Industrial
Protection Class	IP 55
Colors	RAL 7035
Paint	Electrostatic Powder
Depth	100-175 mm
Width	400-800 mm
Height	500-1000 mm
Door	Single-Double door
Option	with Dead Front

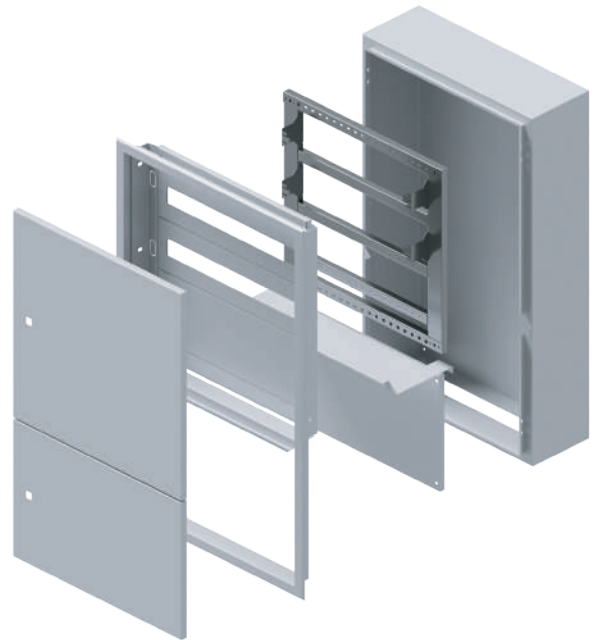


- The design of the dead front can be modified on request.
- Door is equipped with concealed hinges and a butterfly lock.
- When placing an order, the location of the openings on the doors for air filters, energy analyzers and alarms must be specified.
- The opening direction of the door can be changed.
- For enclosures with dead front, the dimensions of the dead front and internal cutouts must be specified when placing the order.
- To ensure protection against moisture and dust, the doors have a polyurethane seal.
- Please contact our representative for prices.



WALL TYPE DISTRIBUTION + LOW VOLTAGE BOARDS

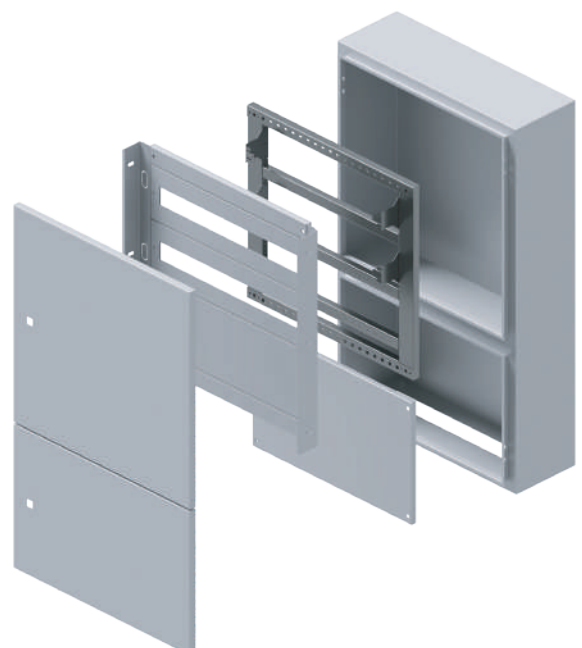
Recessed Distribution + Low Voltage Board	
TECHNICAL SPECIFICATIONS	
Type	Welded
Design	Recessed
Area of Use	Industrial
Protection Class	IP 55
Colors	RAL 7035
Paint	Electrostatic Powder
Depth	100-200 mm
Width	600 mm
Height	800-1000 mm
Door	Top-Bottom door
Option	upper part-distribution lower part-low current



- When placing an order, the location of the openings on the doors for air filters, energy analyzers and alarms must be specified.
- To ensure protection against moisture and dust, the doors have a polyurethane seal.

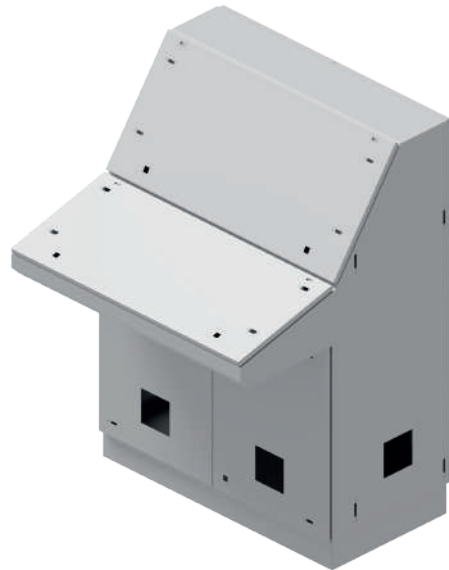
- The opening direction of the door can be changed.
- Depending on preference, the doors can be equipped with glass.
- Door is equipped with concealed hinges and a butterfly lock.
- Please contact our representative for prices.

Surface Mounted Distribution + Low Voltage Board	
TECHNICAL SPECIFICATIONS	
Type	Welded
Design	Surface Mounted
Area of Use	Industrial
Protection Class	IP 55
Colors	RAL 7035
Paint	Electrostatic Powder
Depth	100-200 mm
Width	600 mm
Height	800-1000 mm
Door	Top-Bottom door
Option	upper part-distribution lower part-low current



DESK CONSOLE

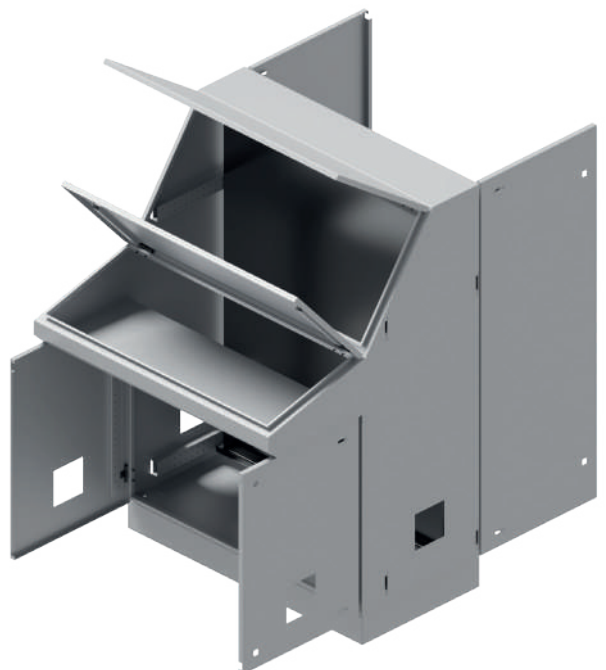
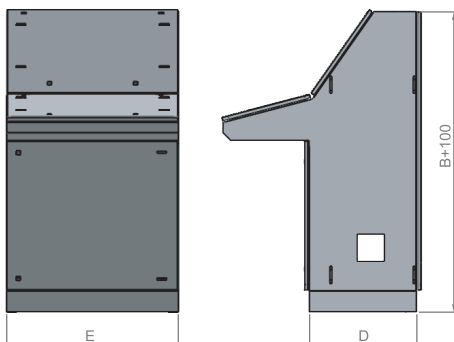
TECHNICAL SPECIFICATIONS	
Type	Welded
Design	Surface Mounted
Area of Use	Industrial
Protection Class	IP 55
Colors	RAL 7035
Paint	Electrostatic Powder
Depth	500 mm
Width	600-1200 mm
Height	1400 mm
Door	Single-Double door
Option	with Mounting Plate



- When placing an order, the location of the openings on the doors for air filters, energy analyzers and alarms must be specified.
- Depending on preference, the doors can be equipped with glass.

- Possible to install a double mounting plate.
- If necessary, you can order a second mounting plate separately.
- Please contact our representative for prices.

PRODUCT CODE	WIDTH x HEIGHT x DEPTH (cm)
NP.PI.60*140*50	60 x 140 x 50
NP.PI.80*140*50	80 x 140 x 50
NP.PI.100*140*50	100 x 140 x 50
NP.PI.120*140*50	120 x 140 x 50



PULT-TYPE CONSOLE / KIOSK ENCLOSURE

Pult-Type Console	
TECHNICAL SPECIFICATIONS	
Type	Welded
Design	Surface Mounted
Area of Use	Industrial
Protection Class	IP 55
Colors	RAL 7035
Paint	Electrostatic Powder
Depth	500 mm
Width	400-1200 mm
Height	1200 mm
Door	Single-Double door
Option	with Mounting Plate



For Pult Type Consoles,

- When placing an order, the location of the openings on the doors for air filters, energy analyzers and alarms must be specified.
- Depending on preference, the doors can be equipped with glass.
- Possible to install a double mounting plate.
- If necessary, you can order a second mounting plate separately.

For Kiosk Enclosures,

- The keyboard and monitor screen can be modified to suit your preferences.
- It can be produced with castors and can be fixed depending on your request.
- Please contact our representative for prices.

Kiosk Enclosure	
TECHNICAL SPECIFICATIONS	
Type	Welded
Design	Floor Standing
Area of Use	Industrial
Protection Class	IP 55
Colors	RAL 7035
Paint	Electrostatic Powder
Depth	150-200 mm
Width	600 mm
Height	1400-1500 mm
Door	Back door
Option	with Mounting Plate



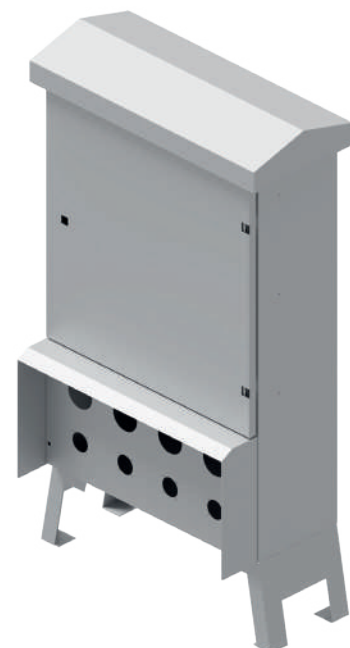
ELEVATOR CONTROL BOARDS / CONSTRUCTION ENCLOSURES

Elevator Control Boards	
TECHNICAL SPECIFICATIONS	
Type	Welded (spot welding)
Design	Distribution Board
Area of Use	Industrial
Protection Class	IP 55
Colors	RAL 7035
Paint	Electrostatic Powder
Depth	120 mm
Width	350 mm
Height	450 mm
Door	Single door
Option	with Dead Front



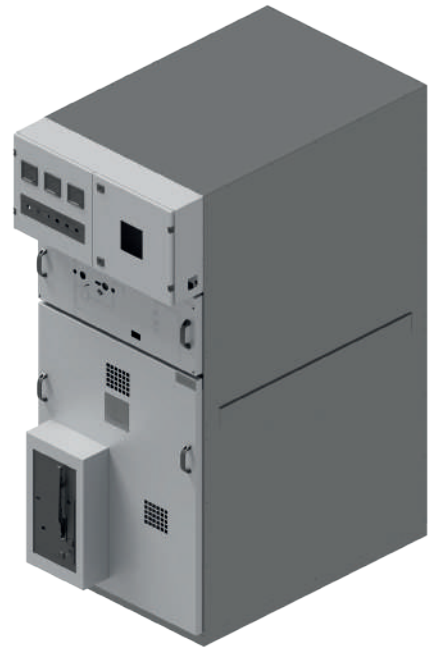
- Depending on your preference, construction enclosures can be manufactured with or without socket.
- Please contact our representative for prices.

Construction Enclosures	
TECHNICAL SPECIFICATIONS	
Type	Welded
Design	Distribution Board
Area of Use	Industrial
Protection Class	IP 55
Colors	RAL 7035
Paint	Electrostatic Powder
Depth	200-400 mm
Width	400-900 mm
Height	800-1200 mm
Door	Double door
Option	with Mounting Plate



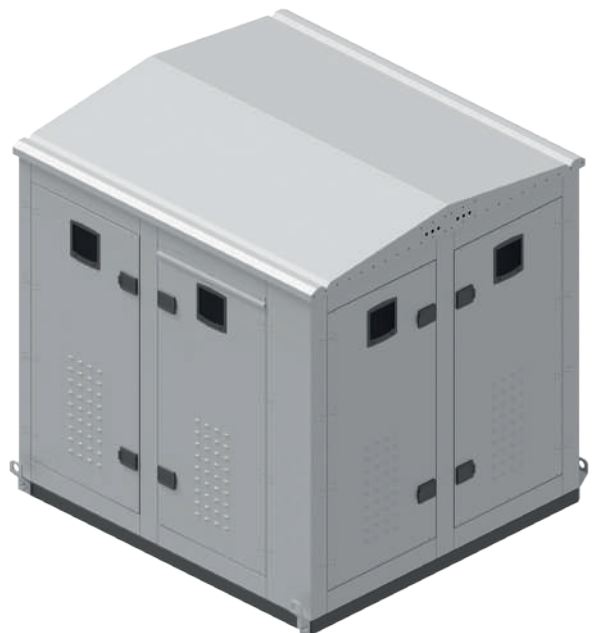
MEDIUM-VOLTAGE ENCLOSURE / SUBSTATION KIOSKS

Medium-Voltage Enclosure	
TECHNICAL SPECIFICATIONS	
Type	Floor Standing
Design	Modular
Area of Use	Industrial
Protection Class	IP 55
Colors	RAL 7035
Paint	Electrostatic Powder
Height	1800 mm



▪ Please contact our representative for prices.

Substation Kiosks	
TECHNICAL SPECIFICATIONS	
Type	Welded
Design	Modular
Area of Use	Industrial
Protection Class	IP 55
Colors	RAL 7035
Paint	Electrostatic Powder
Door	Double Door



STAINLESS-STEEL ENCLOSURES

Stainless-Steel Enclosure with Mounting Plate

TECHNICAL SPECIFICATIONS

Type	Welded
Design	Surface Mounted
Area of Use	Industrial
Protection Class	IP 55
Material	304 / 316 stainless steel
Door	Single/Double door
Option	with Mounting Plate



- When placing an order, the location of the openings on the doors for air filters, energy analyzers and alarms must be specified.
- The opening direction of the door can be changed.
- Door is equipped with concealed hinges and a butterfly lock.

- Please specify the stainless-steel grade when placing your order.
- Please contact our representative for prices.

Semi-Modular Stainless Steel Enclosure with Mounting Plate

TECHNICAL SPECIFICATIONS

Type	Semi-Modular
Design	Floor Standing
Area of Use	Industrial
Protection Class	IP 55
Material	304 Stainless Steel
Door	Single/Double door
Option	with Mounting Plate



ABS ENCLOSURES

ABS Enclosure with Opaque Door and Dead Front

TECHNICAL SPECIFICATIONS

Design	Surface Mounted
Area of Use	Industrial
Protection Class	IP 65
Material	ABS
Door	Single Door
Colors	RAL 7035
Thermal resistance	-40°C / +80°C



ABS Enclosure with Clear Door and Dead Front

TECHNICAL SPECIFICATIONS

Design	Surface Mounted
Area of Use	Industrial
Protection Class	IP 65
Material	ABS
Door	Single Door
Colors	RAL 7035
Thermal resistance	-40°C / +80°C



ABS Enclosure with Opaque Door

TECHNICAL SPECIFICATIONS

Design	Surface Mounted
Area of Use	Industrial
Protection Class	IP 65
Material	ABS
Door	Single Door
Colors	RAL 7035
Thermal resistance	-40°C / +80°C



ABS Enclosure with Clear Door

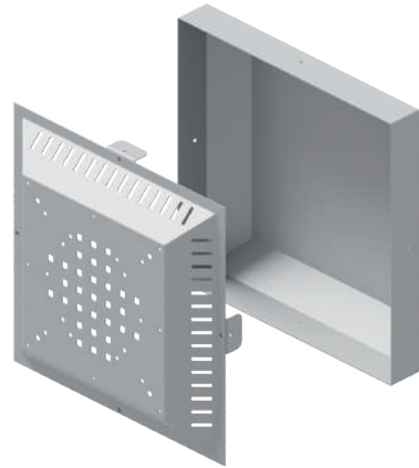
TECHNICAL SPECIFICATIONS

Design	Surface Mounted
Area of Use	Industrial
Protection Class	IP 65
Material	ABS
Door	Single Door
Colors	RAL 7035
Thermal resistance	-40°C / +80°C



ROOF-TYPE VENTILATION FAN / VENTILATION FILTERS / DATA POCKETS

ROOF-TYPE VENTILATION FAN	
TECHNICAL SPECIFICATIONS	
Design	Semi-Modular
Area of Use	Industrial
Protection Class	IP 32
Colors	RAL 7035
Paint	Electrostatic Powder
Plate Thickness	1,5 mm
Material	DKP
PRODUCT CODE	PRODUCT NAME
FAN	Empty Fan Module
FAN.300	300m ³ FAN
FAN.600	600m ³ FAN
FAN.900	900m ³ FAN



VENTILATION FILTERS	
TECHNICAL SPECIFICATIONS	
Protection Class	IP 54
Colors	RAL 7035
Material	Plastic
PRODUCT CODE	PRODUCT NAME
MEN.105*105	105 x 105 VENT. FILTER
MEN.150*150	150 x 150 VENT. FILTER
MEN.250*250	250 x 250 VENT. FILTER
MEN.325*325	325 x 325 VENT. FILTER

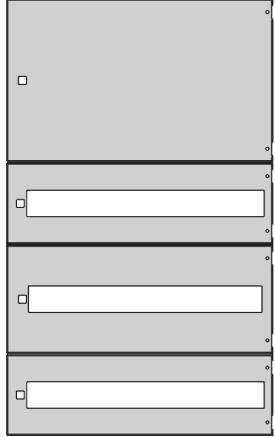


DATA POCKETS	
TECHNICAL SPECIFICATIONS	
Type	Wall-mounted
Area of Use	Industrial
Protection Class	IP 55
Colors	Ral 7035
Paint	Electrostatic Powder
Plate Thickness	1 mm
Size	Optional
PRODUCT CODE	SIZE
PC.1	175 x 200 x 25
PC.2	225 x 230 x 25

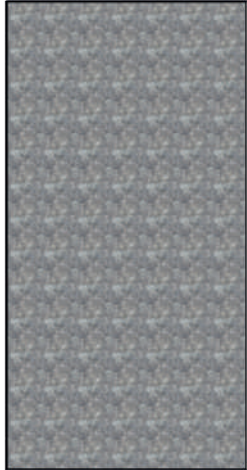


**DEAD FRONT /
MOUNTING PLATE**

DEAD FRONT	
TECHNICAL SPECIFICATIONS	
Type	Floor standing/Wall-mounted
Area of Use	Industrial
Protection Class	IP 55
Colors	Ral 7035
Paint	Electrostatic Powder
Plate Thickness	1 mm
Size	Optional



MOUNTING PLATE	
TECHNICAL SPECIFICATIONS	
Type	Floor standing/Wall-mounted
Design	Modular
Area of Use	Industrial
Protection Class	IP 55
Plate Thickness	1,5 mm
Material	Galvanized steel
Size	Optional



▪ Please contact our representative for prices.

RACK CABINET / VOLTAGE REGULATOR ENCLOSURE

Rack Cabinet	
TECHNICAL SPECIFICATIONS	
Type	Floor Standing/Wall-mounted
Design	Modular
Area of Use	Industrial
Protection Class	IP 55
Paint	Electrostatic Powder
Material	Dkp - Galvanized Steel
Size	Optional



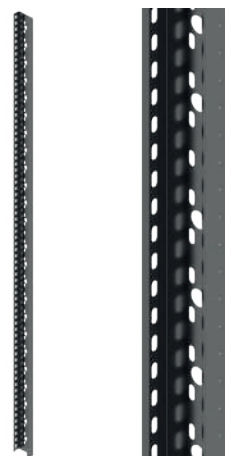
- It is designed as a modular system compatible with ready-to-assemble system.
- The opening direction of the door can be changed.
- Depending on the customer's needs, the product is available for both indoor and outdoor use.

- We provide assistance in selecting the right fan module to protect the product from overheating.
- Electrostatic Powder Coating is used.
- There is a cable pass-through at the bottom of the housing.
- Please contact our representative for prices.

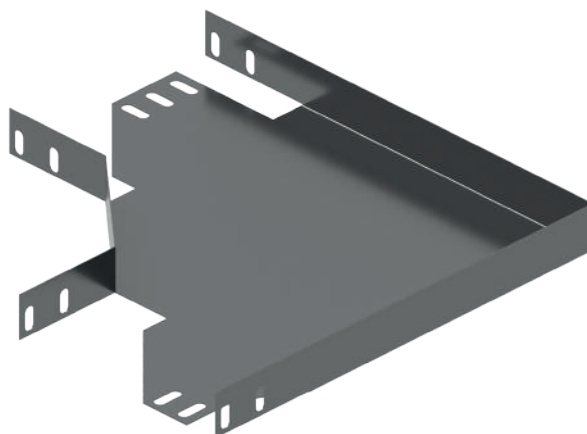
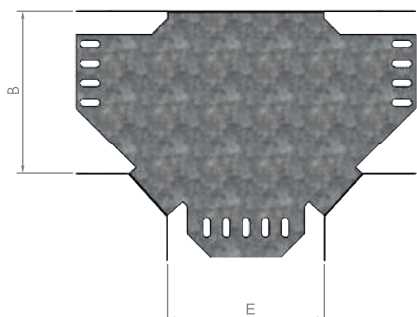
Voltage Regulator Enclosure	
TECHNICAL SPECIFICATIONS	
Type	Floor Standing/Wall-mounted
Design	Modular
Area of Use	Industrial
Protection Class	IP 55
Paint	Electrostatic Powder
Material	Dkp - Galvanized Steel
Size	Optional



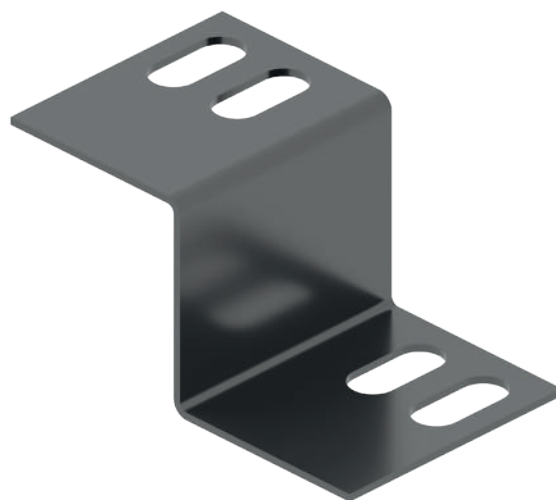
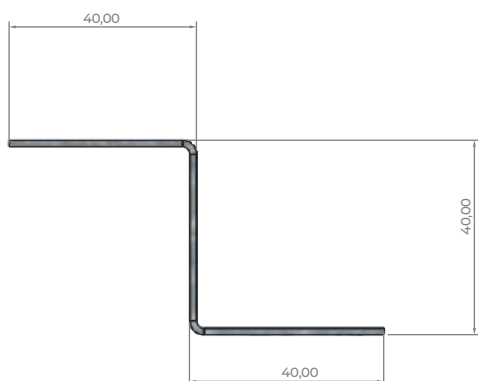
Heavy-duty Cable Trays



Tray Bends



Tray Reducer





TURK PATENT
TİCARİ HİZMET VE MARKA KORUMA

MARKA TESCİL BELGESİ
No: 2023 032725 - Ticaret - Hizmet



NILPA
Elektrik Pano Sistemleri

Marka Sahibi
NİLAS ÇELİK SANAYİ TİCARET ANONİM ŞİRKETİ

Mal / Hizmet Sınıfları
06, 09, 35, 37, 42

Bu marka, 6769 sayılı Sınai Mülkiyet Kanunu kapsamında,
15.03.2023 tarihinden itibaren 10 yıl süreyle korunmak üzere,
10.07.2024 tarihinde tescil edilmiştir.



Prof. Dr. M. Zeki DURAK
Kurum Başkanı



TURK PATENT
TİCARİ HİZMET VE MARKA KORUMA

MARKA TESCİL BELGESİ
No: 2022 079578 - Ticaret - Hizmet



NILAS

Marka Sahibi
NİLAS ÇELİK SANAYİ TİCARET ANONİM ŞİRKETİ

Mal / Hizmet Sınıfları
06, 07, 09, 20, 35, 40

Bu marka, 6769 sayılı Sınai Mülkiyet Kanunu kapsamında,
03.06.2022 tarihinden itibaren 10 yıl süreyle korunmak üzere,
16.11.2023 tarihinde tescil edilmiştir.



Prof. Dr. M. Zeki BURAK
Başkan



Lvt
TEST LABORATUVARLARI LTD. ŞTİ.

TEST SERTİFİKASI / TEST CERTIFICATE

No : C-23-2611-R0

Müşteri : NİLAS ÇELİK SANAYİ TİCARET ANONİM ŞİRKETİ

İmalatçı : NİLAS ÇELİK SANAYİ TİCARET ANONİM ŞİRKETİ

Ürün Tanımı : 4000 A ACB GİRİŞLİ ALÇAK GERİLİM ANAHTARLAMA ve KONTROL DÜZENİ

Marka : NILPA ELEKTRİK PANO SİSTEMLERİ

Teknik Veri : I_n: 4000 A, U_i: 1000 V, U_{max}: 12,0 kV, I_{sc}: 65 kA (Ana Bara), I_{sc}: 40 kA (Toprak Barası), I_{sc}: 65 kA (ABB 4000 A ACB), I_{sc}: 38 kA (ABB 4000 A ACB), Form 4b

Test Standardı : TS EN IEC 61439-1:2021 + AC:2022, TS EN IEC 61439-2:2021

Konu : TEST SONUCU (OLUMLU)

Uygulanan Test(ler) : Sıcaklık Artışın Doğrulaması, Dielektrik Özellikler, Yalıtım Aralıkları & Yüzeysel Kaçak Yolu Uzunlukları, Mekanik Çalışma, Elektrik Çarpmasına Karşı Koruma ve Koruma Devrelerinin Bütünlüğü, Kasa Devre Dayanımı, Dayanıklılık, Anormal Isıya ve Dahili Elektrik Etkilerinden Kaynaklanan Yangına Dayanıklılığın Doğrulaması, Dahili Elektriksel Devreler ve Bağlantılar, Harici İletkenler için Bağlantı Uçları, Anahtarlama Cihazlarının ve Bileşenlerinin Birleştirilmesi

Test Rapor Numarası : 23-2611-R0-N1-1

Sertifika Tarihi : 09.01.2024

Deney Sorumlusu : Bölüm Müdürü
Ata Gürül ARSLANLI



Sertifika doğruluğunu kontrol edebilirsiniz.
You can check the certificate details via QR code.



Lvt
TEST LABORATUVARLARI LTD. ŞTİ.

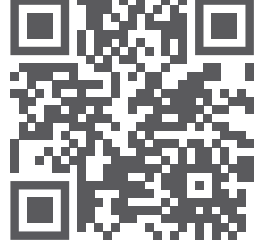
www.lvt.com.tr

Sarıyön Modern Keresitlerler San. Bil. A. Şad. No: 9 K.Kazan - Ankara - TÜRKİYE
Tel: +90 312 818 19 20 - 26 • Fax: +90 312 818 13 27 • E-mail: info@lvt.com.tr

FRT.88 / Rev01 / 1019

NILPA

Enclosure, Panel and Cabinet Systems



Saęlık District Soęuksu Street
No 1 / Al Ergene / Tekirdaę



+90 282 686 77 33
+90 532 305 37 59



info@nilpapano.com



www.nilpapano.com

Nilas elik San. Tic. A. Ő.