

The logo for NILPAPA features the letters 'N', 'I', 'L', 'P', and 'A' in a bold, sans-serif font. The 'N', 'I', and 'L' are dark grey, while the 'P' and 'A' are a vibrant green. A small green square is positioned above the 'i' in 'NIL', and a small dark grey square is positioned below the 'A'.

Enclosure, Panel and Cabinet Systems

www.nilpapano.com

About Us

Our company Nilpa Çelik A.Ş. was established in 2022 in line with our desire to take part as a manufacturer in the electricity sector, which we have been in since 2003. The main purpose of our Nilpa Pano brand within our company is to provide professional solutions to the needs of our customers in this field with our wide range of panel products that we produce in our facility located in Tekirdağ/Erzene.

Among our standard and specially designed products in our Nilpa Pano production area; Modular Standing Type Enclosures, Wall Type Enclosures, External Enclosures, Stainless Steel Enclosures, ABS Enclosures, Control Panels, Cable Trays, Rack Cabinets and Regulator Enclosures. In addition to these, special production enclosures can also be manufactured upon request.

We prioritise quality philosophy in our production processes by targeting maximum customer satisfaction. In this context, we offer our superior product quality in accordance with ISO 9001, ISO 14001 and OHSAS 18001 standards in accordance with environmental and occupational health and safety management systems.

We take our quality and business processes to the next level every day by increasing our R&D investments and closely follow the technological developments and innovations in the world. We attach importance to developing our production processes in line with the expectations by identifying the needs in advance, adopting the understanding of innovation and incorporating it into our work.

As Nilpa Pano, we are actively continuing our export activities in line with our goal of having a say in the world market. We plan to continue our export policy in many different regions of the world by expanding our trade volume.

Since the day we were founded, we continue to be the long-term solution partner of our customers in line with our goal of being the first choice in the sector and to provide services with confidence.

MISSION

Our main mission is to offer our customers the most innovative solutions of the highest quality by advancing with the goal of zero error in our production processes and by closely following technological developments in the world.

VISION

Our vision is to be an internationally competitive, leading, reliable and sought-after brand in the power industry.





**THANKS FOR
CHOOSING US!**

WHY CHOOSE US?



Wide range of products

We offer the ability to customize your orders with a wide range of products tailored specifically to your needs, allowing you to meet all your needs in one place.



Customer satisfaction

We prioritize customer satisfaction and ensure timely and smooth delivery of your orders without compromising on product quality.



Experienced staff

Our company, which always prioritizes the needs of our customers, employs experienced and qualified employees who are constantly upgrading their qualifications.



Innovative technology

We offer you the most innovative solutions thanks to our state-of-the-art equipment that meets the latest technological trends.



Quality assured products

We provide our customers with technical support in the various applications of our type-tested panels, which we produce in accordance with TS EN IEC 62208: 2023.

INDEX

N SERIES - FLOOR STANDING MODULAR ENCLOSURES

FLOOR STANDING MODULAR ENCLOSURE WITH MOUNTING PLATE	1
FLOOR STANDING MODULAR ENCLOSURE WITH DEAD FRONT	3
DOUBLE-DOOR FLOOR STANDING MODULAR ENCLOSURE WITH MOUNTING PLATE	5
MODULAR SYSTEM ENCLOSURE FRAME	7
FLOOR STANDING MODULAR ENCLOSURE FRAME WITH MOUNTING PLATE	9
FLOOR STANDING MODULAR METER BOX	11

I SERIES – OUTDOOR TYPE ENCLOSURE

FLOOR STANDING OUTDOOR TYPE ENCLOSURE WITH MOUNTING PLATE	13
FLOOR STANDING OUTDOOR TYPE ENCLOSURE WITH DEAD FRONT	15
WALL MOUNTED OUTDOOR TYPE ENCLOSURE WITH MOUNTING PLATE	17
WALL MOUNTED OUTDOOR TYPE ENCLOSURE WITH DEAD FRONT	19

L SERIES – WALL MOUNTED ENCLOSURE

SURFACE MOUNTED ENCLOSURE WITH MOUNTING PLATE	21
SURFACE MOUNTED ENCLOSURE WITH DEAD FRONT	23
SURFACE MOUNTED SEMI-MODULAR ENCLOSURE WITH DEAD FRONT	25
RECESSED ENCLOSURE WITH MOUNTING PLATE	27
RECESSED ENCLOSURE WITH DEAD FRONT	29
SURFACE MOUNTED DISTRIBUTION + LOW VOLTAGE BOARD	31
RECESSED DISTRIBUTION + LOW VOLTAGE BOARD	33

P SERIES- CONTROL PANEL

DESK CONSOLE	35
PULT-TYPE CONSOLE	37
KIOSK ENCLOSURE	39





A SERIES – CUSTOM ENCLOSURES

ELEVATOR CONTROL BOARDS	41
ENCLOSURE FOR CONSTRUCTION SITE INSTALLATION	43
MEDIUM-VOLTAGE ENCLOSURE	45
SUBSTATION KIOSKS	47

S SERIES – STAINLESS-STEEL ENCLOSURES

STAINLESS-STEEL ENCLOSURE WITH MOUNTING PLATE	49
FLOOR STANDING SEMI-MODULAR STAINLESS-STEEL ENCLOSURE WITH MOUNTING PLATE	51

B SERIES – ABS ENCLOSURES

ABS ENCLOSURE WITH OPAQUE DOOR AND DEAD FRONT	53
ABS ENCLOSURE WITH CLEAR DOOR AND DEAD FRONT	54
ABS ENCLOSURE WITH OPAQUE DOOR	55
ABS ENCLOSURE WITH CLEAR DOOR	56

C SERIES - ADDITIONAL PRODUCTS

ROOF TYPE VENTILATION FAN	57
VENTILATION FILTERS	58
DATA POCKETS	59
DEAD FRONT / MOUNTING PLATE	60

R SERIES – VOLTAGE REGULATOR ENCLOSURE AND RACK CABINETS

RACK CABINET	61
VOLTAGE REGULATOR ENCLOSURE	63

K SERIES - CABLE TRAYS

HEAVY-DUTY CABLE TRAYS	65
TRAY BENDS	69
TRAY REDUCER	71

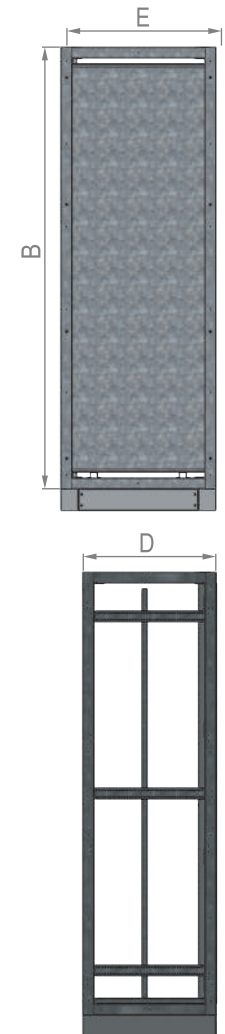
OUR CERTIFICATIONS

73

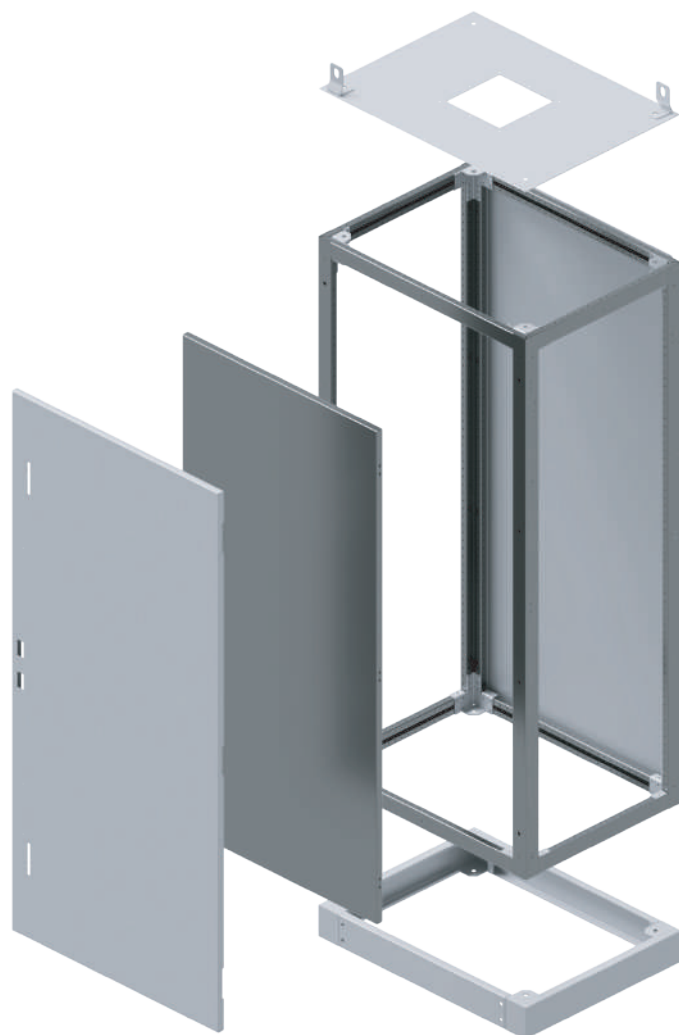
FLOOR STANDING MODULAR ENCLOSURE WITH MOUNTING PLATE

TECHNICAL SPECIFICATIONS	
Type	Floor Standing
Design	Modular
Area of Use	Industrial
Protection Class	IP 55
Colors	RAL 7035
Paint	Electrostatic Powder
Depth	400-600 mm
Width	400-800 mm
Height	1600-2000 mm
Door	Single Door
Option	with Mounting Plate

- The base is not included in the height measurements.
- When placing an order, the location of the openings on the doors for air filters, energy analyzers and alarms must be specified.
- Depending on preference, doors can be fitted with glass.
- The door is installed with concealed hinges and an Espagnolette lock.
- The rear and side plates have a similar design.
- The opening direction of the door can be changed.
- To ensure protection against moisture and dust, the doors have a polyurethane seal.
- Front and rear doors are available.
- Thanks to the modular design, enclosures can be connected in rows.



PLEASE CONTACT OUR REPRESENTATIVE FOR PRICES

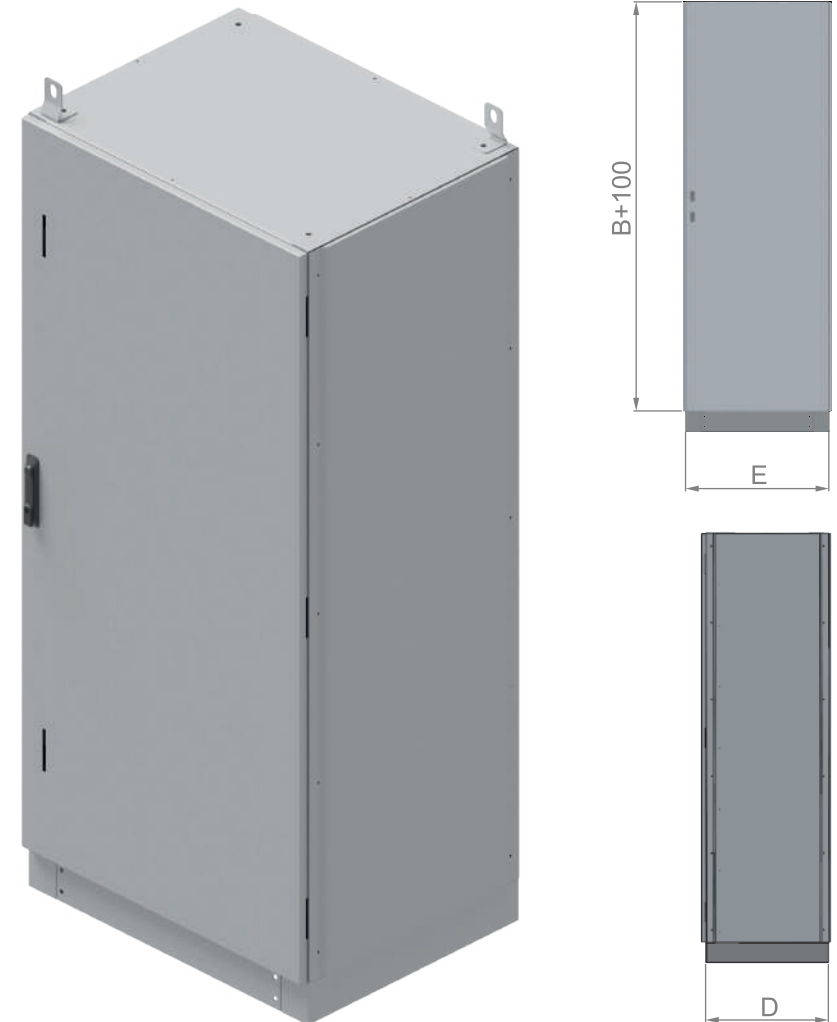


PRODUCT CODE	WIDTH x LENGTH x DEPTH (cm)	MOUNTING PLATE (mm)
NP.MD.TS.40*160*40	40 x 160 x 40	348 x 1350
NP.MD.TS.50*160*40	50 x 160 x 40	448 x 1350
NP.MD.TS.60*160*40	60 x 160 x 40	548 x 1350
NP.MD.TS.40*160*50	40 x 160 x 50	348 x 1350
NP.MD.TS.50*160*50	50 x 160 x 50	448 x 1350
NP.MD.TS.60*160*50	60 x 160 x 50	548 x 1350
NP.MD.TS.40*180*40	40 x 180 x 40	348 x 1650
NP.MD.TS.50*180*40	50 x 180 x 40	448 x 1650
NP.MD.TS.60*180*40	60 x 180 x 40	548 x 1650
NP.MD.TS.40*180*50	40 x 180 x 50	348 x 1650
NP.MD.TS.50*180*50	50 x 180 x 50	448 x 1650
NP.MD.TS.60*180*50	60 x 180 x 50	548 x 1650
NP.MD.TS.70*180*50	70 x 180 x 50	648 x 1650
NP.MD.TS.50*200*40	50 x 200 x 40	448 x 1850
NP.MD.TS.60*200*40	60 x 200 x 40	548 x 1850
NP.MD.TS.70*200*40	70 x 200 x 40	648 x 1850
NP.MD.TS.50*200*50	50 x 200 x 50	448 x 1850
NP.MD.TS.60*200*50	60 x 200 x 50	548 x 1850
NP.MD.TS.70*200*50	70 x 200 x 50	648 x 1850
NP.MD.TS.80*200*50	80 x 200 x 50	748 x 1850
NP.MD.TS.70*200*60	70 x 200 x 60	648 x 1850
NP.MD.TS.80*200*60	80 x 200 x 60	748 x 1850

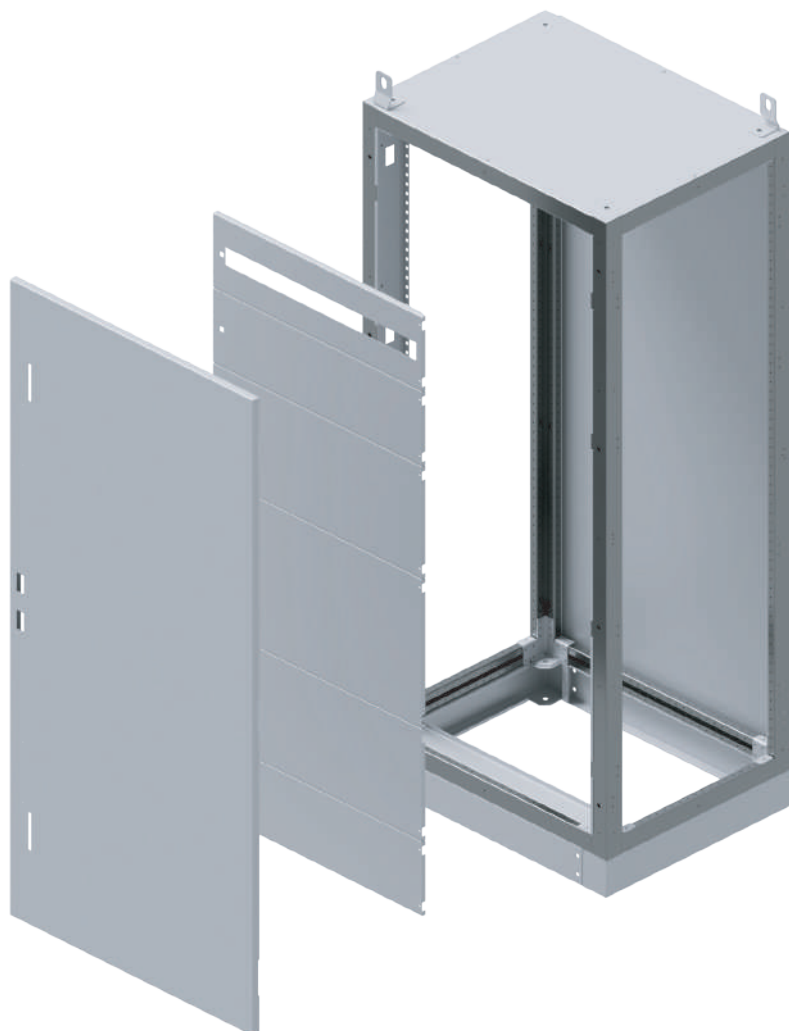
FLOOR STANDING MODULAR ENCLOSURE WITH DEAD FRONT

TECHNICAL SPECIFICATIONS	
Type	Floor Standing
Design	Modular
Area of Use	Industrial
Protection Class	IP 55
Colors	RAL 7035
Paint	Electrostatic Powder
Depth	400-600 mm
Width	400-800 mm
Height	1600-2000 mm
Door	Single Door
Option	with Dead Front

- The base is not included in the height measurements.
- When placing an order, the location of the openings on the doors for air filters, energy analyzers and alarms must be specified.
- With the modular hinged dead front system, it is possible to modify the dead front assembly.
- The design of the dead front can be modified, the dimensions of the dead front and internal cutouts must be specified when placing the order.
- The number of automats indicated in the table refers to one row.
- Front and rear doors are available. The opening direction of the front and rear doors can be changed. The polyurethane seal, Espagnolette lock and concealed hinges protect the doors from moisture and dust.
- Depending on preference, the doors can be fitted with glass.
- Thanks to the modular design, enclosures can be connected in rows.



PLEASE CONTACT OUR REPRESENTATIVE FOR PRICES.



PRODUCT CODE	WIDTH x HEIGHT x DEEPTH (cm)	NUMBER OF AUTOMATS
NP.MD.PS.40*160*40	40 x 160 x 40	14
NP.MD.PS.50*160*40	50 x 160 x 40	19
NP.MD.PS.60*160*40	60 x 160 x 40	25
NP.MD.PS.40*160*50	40 x 160 x 50	14
NP.MD.PS.50*160*50	50 x 160 x 50	19
NP.MD.PS.60*160*50	60 x 160 x 50	25
NP.MD.PS.40*180*40	40 x 180 x 40	14
NP.MD.PS.50*180*40	50 x 180 x 40	19
NP.MD.PS.60*180*40	60 x 180 x 40	25
NP.MD.PS.40*180*50	40 x 180 x 50	14
NP.MD.PS.50*180*50	50 x 180 x 50	19
NP.MD.PS.60*180*50	60 x 180 x 50	25
NP.MD.PS.70*180*50	70 x 180 x 50	29
NP.MD.PS.50*200*40	50 x 200 x 40	19
NP.MD.PS.60*200*40	60 x 200 x 40	25
NP.MD.PS.70*200*40	70 x 200 x 40	29
NP.MD.PS.50*200*50	50 x 200 x 50	19
NP.MD.PS.60*200*50	60 x 200 x 50	25
NP.MD.PS.70*200*50	70 x 200 x 50	29
NP.MD.PS.80*200*50	80 x 200 x 50	35
NP.MD.PS.70*200*60	70 x 200 x 60	29
NP.MD.PS.80*200*60	80 x 200 x 60	35

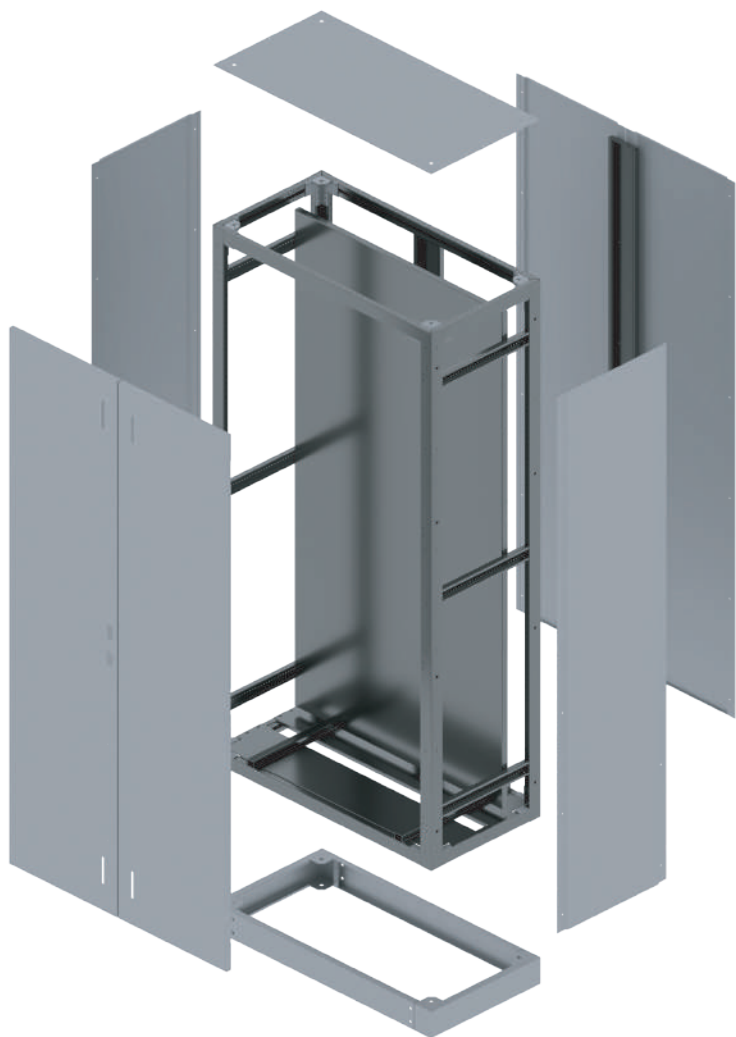
DOUBLE-DOOR FLOOR STANDING MODULAR ENCLOSURE WITH MOUNTING PLATE

TECHNICAL SPECIFICATIONS	
Type	Floor standing
Design	Modular
Area of Use	Industrial
Protection Class	IP 55
Colors	RAL 7035
Paint	Electrostatic Powder
Depth	400-500 mm
Width	1200 mm
Height	1600-2000 mm
Door	Double door
Option	With Mounting Plate

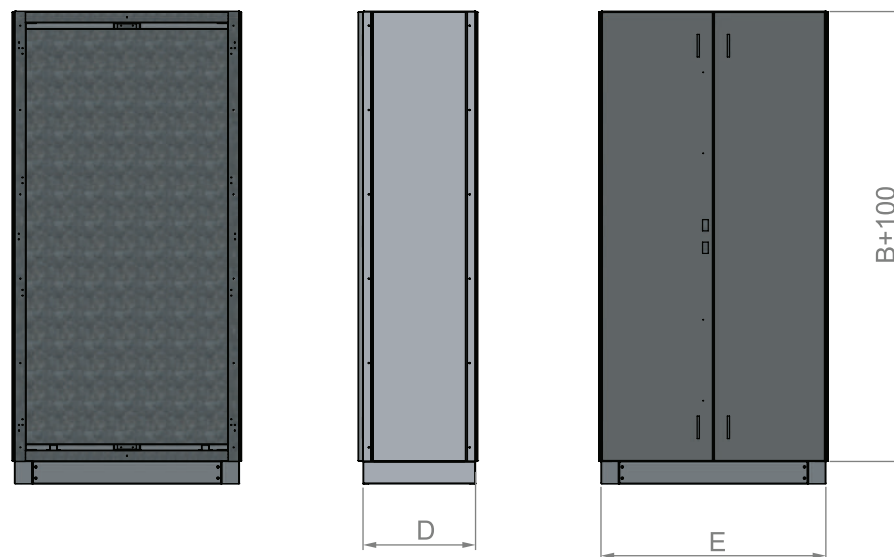
- The base is not included in the height measurements.
- The opening direction of the door can be changed.
- The door is installed with concealed hinges and an Espagnolette lock.
- When placing an order, the location of the openings on the doors for air filters, energy analyzers and alarms must be specified.
- Depending on preference, doors can be fitted with glass.
- Thanks to the modular design, enclosures can be connected in rows.
- To ensure protection against moisture and dust, the doors have a polyurethane seal.
- Front and rear doors are available.
- The rear and side plates have a similar design.



PLEASE CONTACT OUR REPRESENTATIVE FOR PRICES.



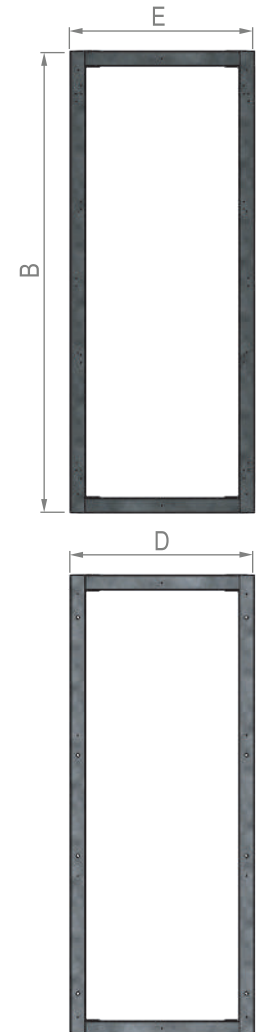
PRODUCT CODE	WIDTH x HEIGHT x DEPTH (cm)	MOUNTING PLATE (MM)
NP.MD.TSC.120*160*40	120 x 160 x 40	1048 x 1350
NP.MD.TSC.120*180*40	120 x 180 x 40	1048 x 1550
NP.MD.TSC.120*200*40	120 x 200 x 40	1048 x 1850
NP.MD.TSC.120*160*50	120 x 160 x 50	1048 x 1350
NP.MD.TSC.120*180*50	120 x 180 x 50	1048 x 1550
NP.MD.TSC.120*200*50	120 x 200 x 50	1048 x 1850



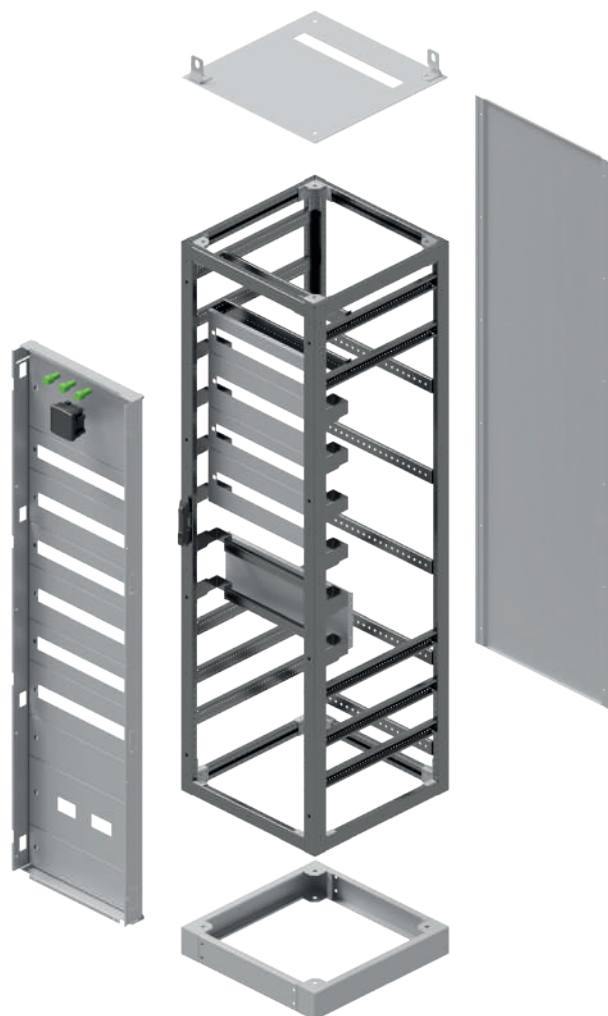
MODULAR SYSTEM ENCLOSURE FRAME

TECHNICAL SPECIFICATIONS	
Type	Floor standing
Design	Modular
Plate Thickness	1,5 mm
Type of material	Galvanized steel
Depth	400-600 mm
Width	400-800 mm
Height	1600-2000 mm

- The base is not included in the height measurements.
- Thanks to the fully modular, seamless design, frame can be modified.



PLEASE CONTACT OUR REPRESENTATIVE FOR PRICES



PRODUCT CODE	WIDTH x HEIGHT x DEEPTH (cm)
NP.MD.K.40*160*40	40 x 160 x 40
NP.MD.K.50*160*40	50 x 160 x 40
NP.MD.K.60*160*40	60 x 160 x 40
NP.MD.K.40*160*50	40 x 160 x 50
NP.MD.K.50*160*50	50 x 160 x 50
NP.MD.K.60*160*50	60 x 160 x 50
NP.MD.K.40*180*40	40 x 180 x 40
NP.MD.K.50*180*40	50 x 180 x 40
NP.MD.K.60*180*40	60 x 180 x 40
NP.MD.K.40*180*50	40 x 180 x 50
NP.MD.K.50*180*50	50 x 180 x 50
NP.MD.K.60*180*50	60 x 180 x 50
NP.MD.K.70*180*50	70 x 180 x 50
NP.MD.K.50*200*40	50 x 200 x 40
NP.MD.K.60*200*40	60 x 200 x 40
NP.MD.K.70*200*40	70 x 200 x 40
NP.MD.K.50*200*50	50 x 200 x 50
NP.MD.K.60*200*50	60 x 200 x 50
NP.MD.K.70*200*50	70 x 200 x 50
NP.MD.K.80*200*50	80 x 200 x 50
NP.MD.K.70*200*60	70 x 200 x 60
NP.MD.K.80*200*60	80 x 200 x 60

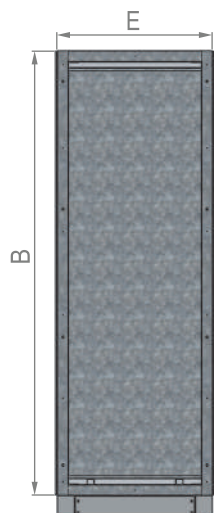
FLOOR STANDING MODULAR ENCLOSURE FRAME WITH MOUNTING PLATE

TECHNICAL SPECIFICATIONS	
Type	Floor standing
Design	Modular
Plate Thickness	1,5 mm
Type of material	Galvanized steel
Depth	400-600 mm
Width	400-800 mm
Height	1600-2000 mm

- The base is not included in the height measurements.
- Thanks to the fully modular, seamless design, frame can be modified.



PLEASE CONTACT OUR REPRESENTATIVE FOR PRICE

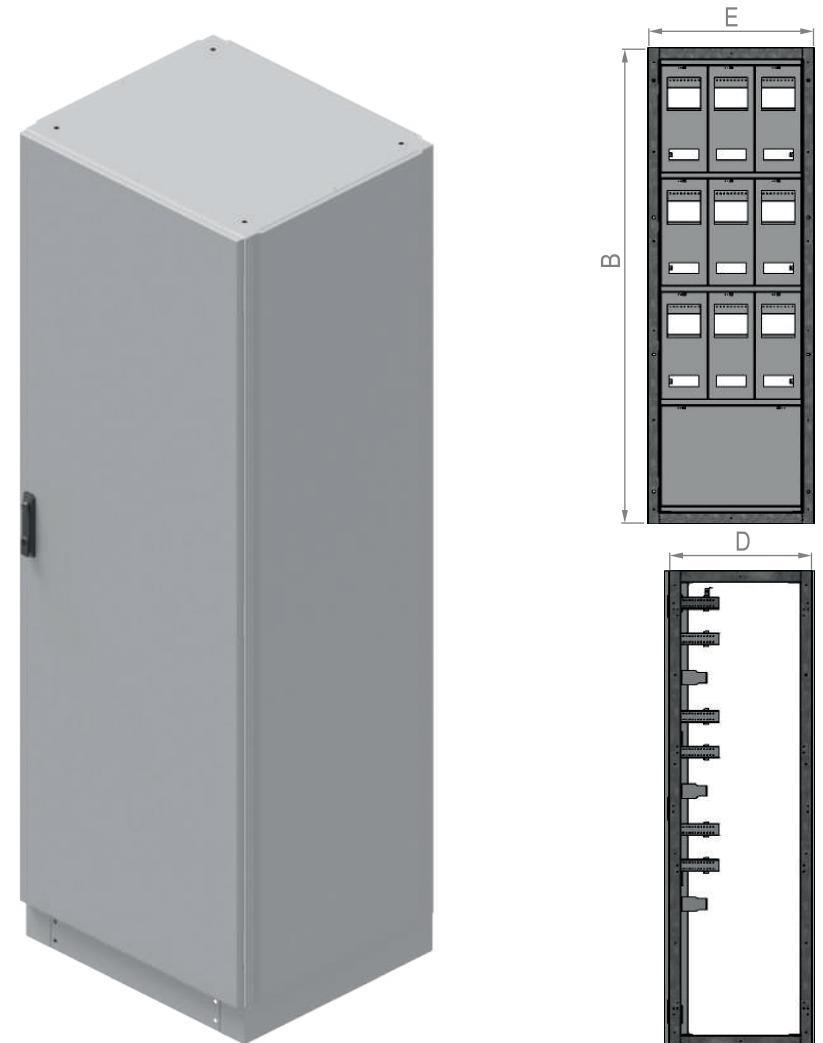


PRODUCT CODE	WIDTH x HEIGHT x DEPTH (cm)	With Mounting Plate (mm)
NP.MD.K.TS.40*160*40	40 x 160 x 40	348 x 1450
NP.MD.K.TS.50*160*40	50 x 160 x 40	448 x 1450
NP.MD.K.TS.60*160*40	60 x 160 x 40	548 x 1450
NP.MD.K.TS.40*160*50	40 x 160 x 50	348 x 1450
NP.MD.K.TS.50*160*50	50 x 160 x 50	448 x 1450
NP.MD.K.TS.60*160*50	60 x 160 x 50	548 x 1450
NP.MD.K.TS.40*180*40	40 x 180 x 40	348 x 1650
NP.MD.K.TS.50*180*40	50 x 180 x 40	448 x 1650
NP.MD.K.TS.60*180*40	60 x 180 x 40	548 x 1650
NP.MD.K.TS.40*180*50	40 x 180 x 50	348 x 1650
NP.MD.K.TS.50*180*50	50 x 180 x 50	448 x 1650
NP.MD.K.TS.60*180*50	60 x 180 x 50	548 x 1650
NP.MD.K.TS.70*180*50	70 x 180 x 50	648 x 1650
NP.MD.K.TS.50*200*40	50 x 200 x 40	448 x 1850
NP.MD.K.TS.60*200*40	60 x 200 x 40	548 x 1850
NP.MD.K.TS.70*200*40	70 x 200 x 40	648 x 1850
NP.MD.K.TS.50*200*50	50 x 200 x 50	448 x 1850
NP.MD.K.TS.60*200*50	60 x 200 x 50	548 x 1850
NP.MD.K.TS.70*200*50	70 x 200 x 50	648 x 1850
NP.MD.K.TS.80*200*50	80 x 200 x 50	748 x 1850
NP.MD.K.TS.70*200*60	70 x 200 x 60	648 x 1850
NP.MD.K.TS.80*200*60	80 x 200 x 60	748 x 1850

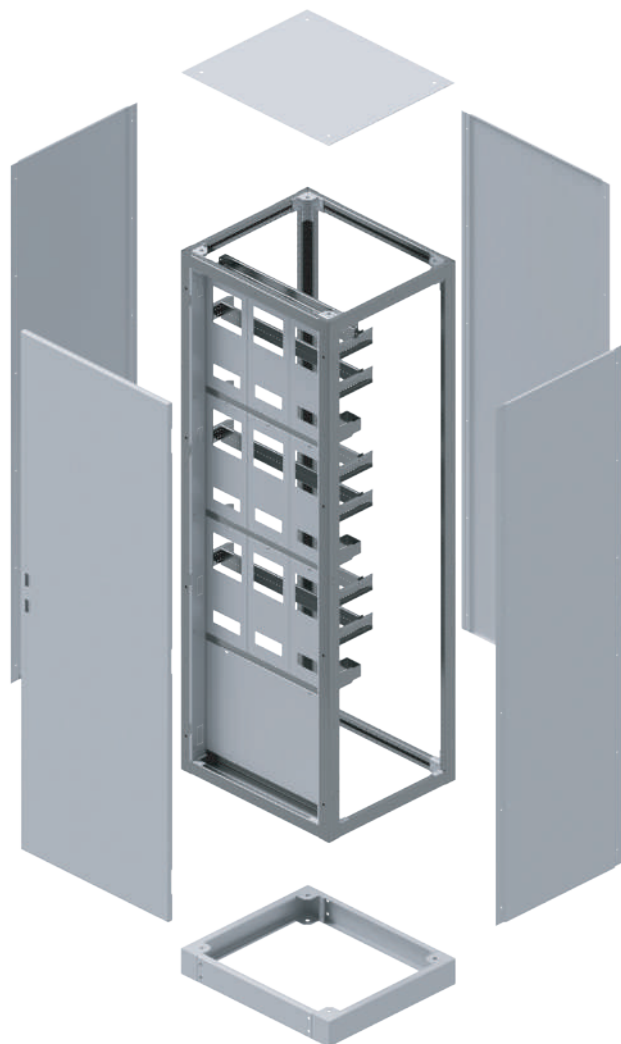
FLOOR STANDING MODULAR METER BOX

TECHNICAL SPECIFICATIONS	
Type	Floor standing
Design	Modular
Area of Use	Industrial
Protection Class	IP 55
Colors	RAL 7035
Paint	Electrostatic Powder
Depth	400-500 mm
Width	400-900 mm
Height	1600-2000 mm
Door	Single-Double door
Option	With Dead Front

- The opening direction of the door can be changed.
- The door is installed with concealed hinges and an Espagnolette lock.
- The rear and side plates have a similar design.
- When placing an order, the location of the openings on the doors for air filters, energy analyzers and alarms must be specified.
- The meter compartments can be modified on request.
- Thanks to the modular design, enclosures can be connected in rows.
- To ensure protection against moisture and dust, the doors have a polyurethane seal.
- Front and rear doors are available.
- Depending on preference, doors can be fitted with glass.



PLEASE CONTACT OUR REPRESENTATIVE FOR PRICES



PRODUCT CODE	WIDTH x HEIGHT x DEEPTH (cm)	NUMBER OF METERS
NP.MD.SP.40*160*40	40 x 160 x 40	5
NP.MD.SP.50*160*40	50 x 160 x 40	5
NP.MD.SP.60*160*40	60 x 160 x 40	7
NP.MD.SP.40*160*50	40 x 160 x 50	5
NP.MD.SP.50*160*50	50 x 160 x 50	5
NP.MD.SP.60*160*60	60 x 160 x 60	7
NP.MD.SP.40*180*40	40 x 180 x 40	5
NP.MD.SP.50*180*50	50 x 180 x 50	5
NP.MD.SP.60*180*60	60 x 180 x 60	7
NP.MD.SP.40*180*40	40 x 180 x 40	5
NP.MD.SP.50*180*50	50 x 180 x 50	5
NP.MD.SP.60*180*60	60 x 180 x 60	7
NP.MD.SP.40*200*40	40 x 200 x 40	5
NP.MD.SP.50*200*50	50 x 200 x 50	5
NP.MD.SP.60*200*60	60 x 200 x 60	7
NP.MD.SP.40*200*40	40 x 200 x 40	5
NP.MD.SP.50*200*50	50 x 200 x 50	5
NP.MD.SP.60*200*60	60 x 200 x 60	7
NP.MD.SP.90*200*50	90 x 200 x 50	14

FLOOR STANDING OUTDOOR TYPE ENCLOSURE WITH MOUNTING PLATE

TECHNICAL SPECIFICATIONS	
Type	Semi-Modular
Design	Outdoor Type
Area of Use	Industrial
Protection Class	IP 65
Colors	RAL 7035
Paint	Electrostatic Powder
Depth	400-500 mm
Width	600-1000 mm
Height	1500-2000 mm
Door	Single-Double door
Option	With Mounting Plate

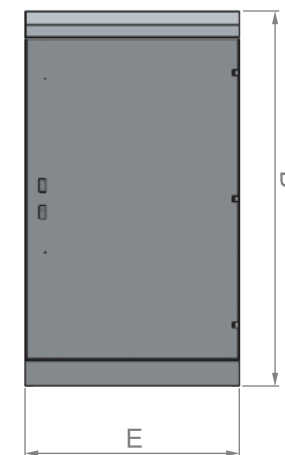
- The base is not included in the height measurements.
- Depending on preference, doors can be fitted with glass.
- The opening direction of the door can be changed.
- The door is installed with concealed hinges and an Espagnolette lock.
- To ensure protection against moisture and dust, the doors have a polyurethane seal.
- Asymmetrical roof is used to divert rainwater away from the enclosure.
- When placing an order, the location of the openings on the doors for air filters, energy analyzers and alarms must be specified.



PLEASE CONTACT OUR REPRESENTATIVE FOR PRICES



PRODUCT CODE	WIDTH x HEIGHT x DEPTH (cm)	MOUNTING PLATE (mm)
NP.DH.TS.60*150*40	60x150x40	530 x 1430
NP.DH.TS.60*150*50	60x150x50	530 x 1430
NP.DH.TS.70*150*40	70x150x40	630 x 1430
NP.DH.TS.70*150*50	70x150x50	630 x 1430
NP.DH.TS.80*170*40	80x170x40	730 x 1630
NP.DH.TS.80*170*50	80x170x50	730 x 1630
NP.DH.TS.80*190*50	80x190x50	730 x 1830
NP.DH.TS.80*200*50	80x200x50	730 x 1930
NP.DH.TS.90*200*50	90x200x50	830 x 1930
NP.DH.TS.100*200*50	100x200x50	930 x 1930



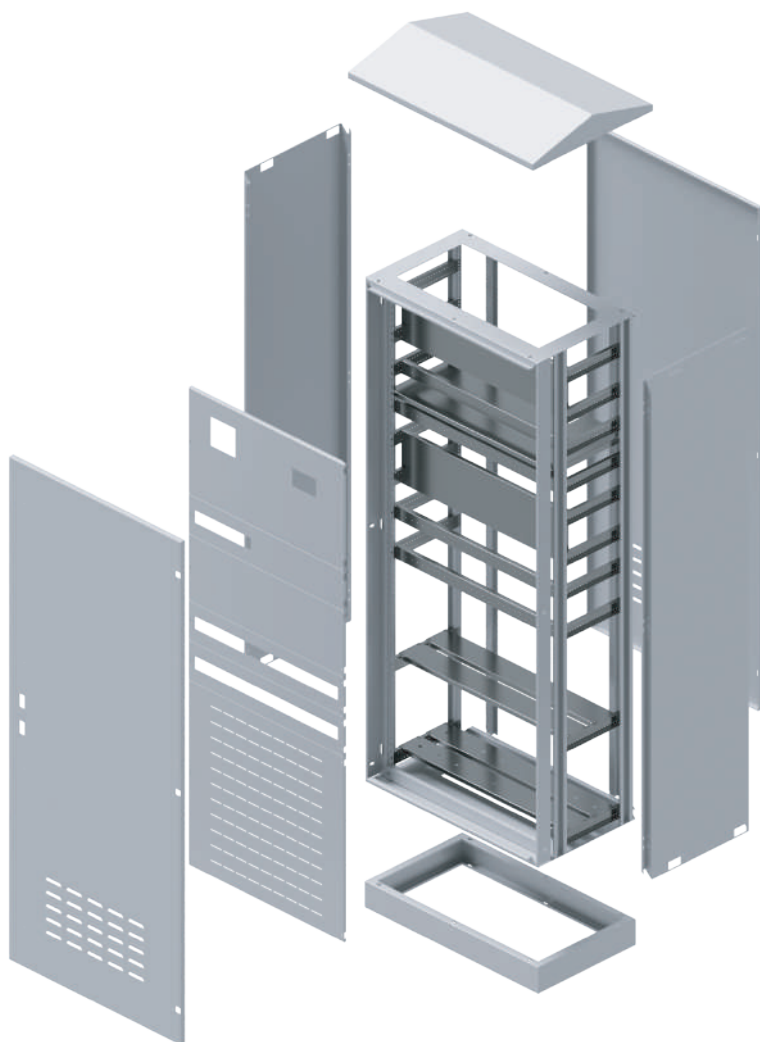
FLOOR STANDING OUTDOOR TYPE ENCLOSURE WITH DEAD FRONT

TECHNICAL SPECIFICATIONS	
Type	Semi-Modular
Design	Outdoor Type
Area of Use	Industrial
Protection Class	IP 65
Colors	RAL 7035
Paint	Electrostatic Powder
Depth	400-500 mm
Width	600-900 mm
Height	1500-2000 mm
Door	Single-Double Door
Option	With Dead Front

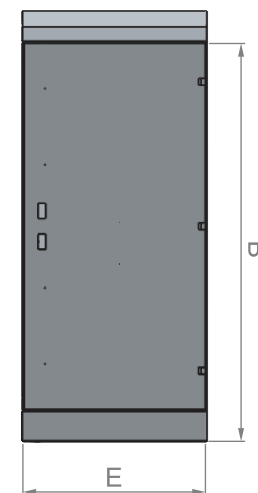
- The base is not included in the height measurements.
- When placing an order, the location of the openings on the doors for air filters, energy analyzers and alarms must be specified.
- Depending on preference, doors can be fitted with glass.
- The door is installed with concealed hinges and an Espagnolette lock.
- To ensure protection against moisture and dust, the doors have a polyurethane seal.
- Asymmetrical roof is used to divert rainwater away from the enclosure.
- For enclosures with dead front, the dimensions of the dead front and internal cutouts must be specified when placing the order.
- The opening direction of the door can be changed.



PLEASE CONTACT OUR REPRESENTATIVE FOR PRICES



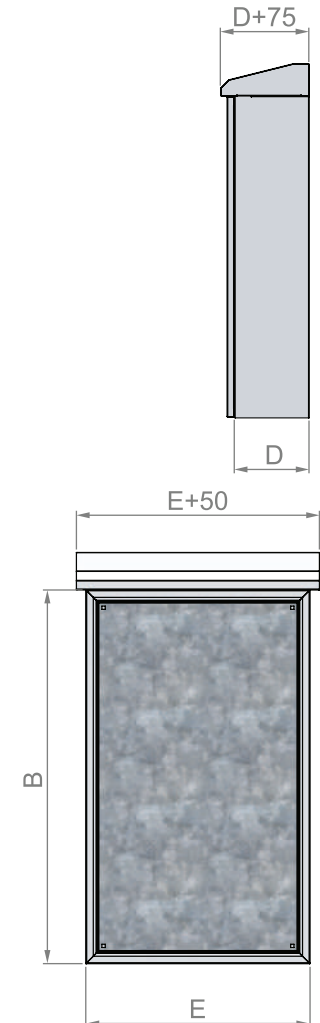
PRODUCT CODE	WIDTH x HEIGHT x DEEPTH (cm)	NUMBER OF AUTOMATS
NP.DH.PS.60*150*40	60x150x40	25
NP.DH.PS.60*150*50	60x150x50	25
NP.DH.PS.70*150*40	70x150x40	30
NP.DH.PS.70*150*50	70x150x50	30
NP.DH.PS.80*170*40	80x170x40	36
NP.DH.PS.80*170*50	80x170x50	36
NP.DH.PS.80*190*50	80x190x50	36
NP.DH.PS.80*200*50	80x200x50	36
NP.DH.PS.90*200*50	90x200x50	41

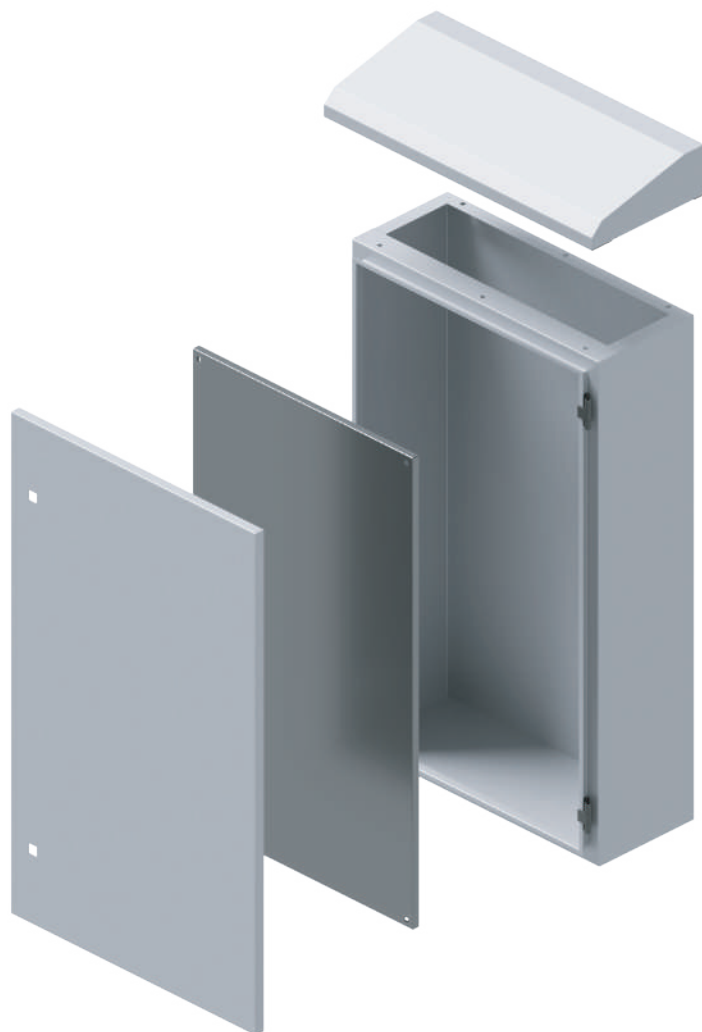


WALL MOUNTED OUTDOOR TYPE ENCLOSURE WITH MOUNTING PLATE

TECHNICAL SPECIFICATIONS	
Type	Welded
Design	Outdoor Type
Area of Use	Industrial
Protection Class	IP 65
Colors	RAL 7035
Paint	Electrostatic Powder
Depth	250-300 mm
Width	400-900 mm
Height	600-1200 mm
Door	Single-Double door
Option	With Mounting Plate

- When placing an order, the location of the openings on the doors for air filters, energy analyzers and alarms must be specified.
- Depending on preference, doors can be fitted with glass.
- To ensure protection against moisture and dust, the doors have a polyurethane seal.
- The opening direction of the door can be changed.
- Asymmetrical roof is used to divert rainwater away from the enclosure.
- The door is installed with concealed hinges and an Espagnolette lock.



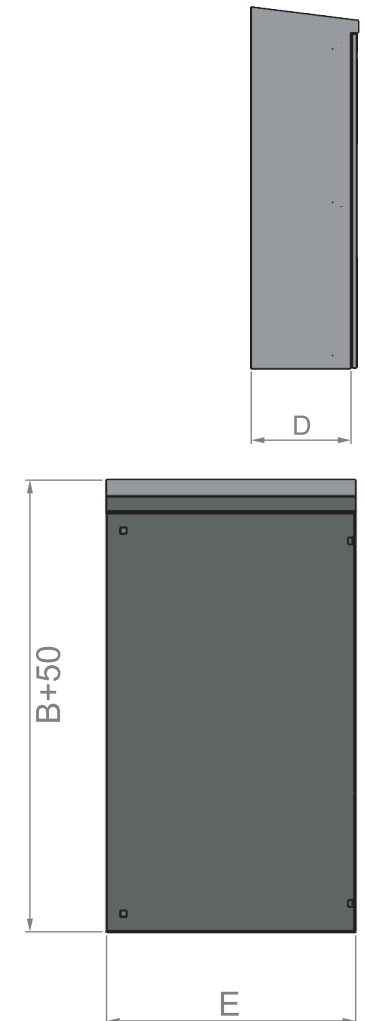


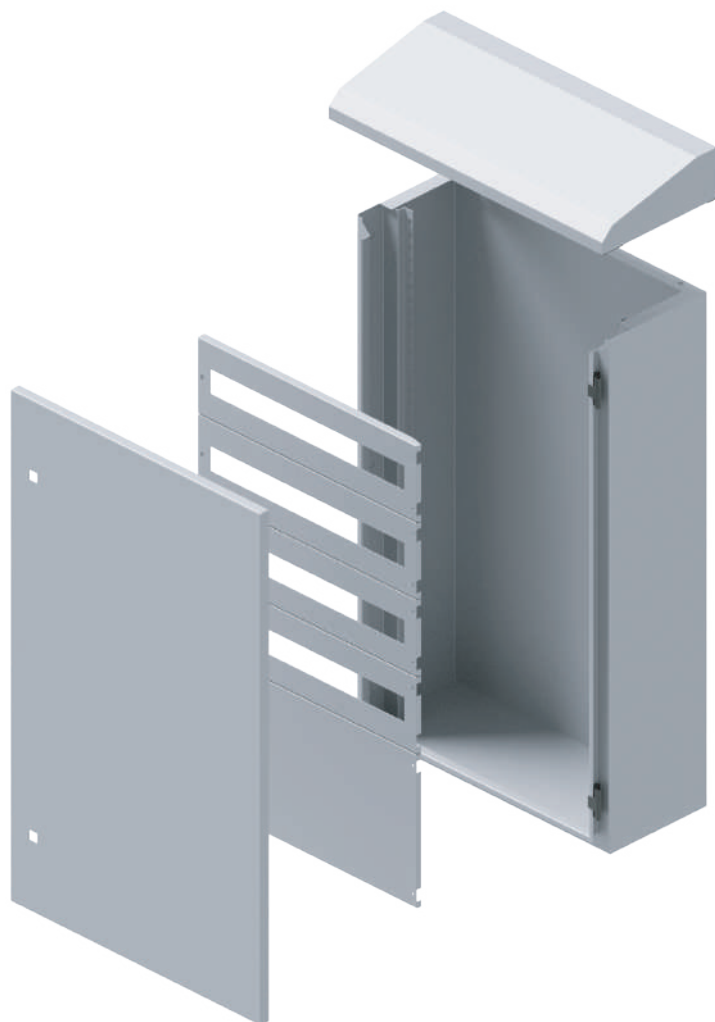
PRODUCT CODE	WIDTH x HEIGHT x DEPTH (cm)	MOUNTING PLATE (MM)	THICKNESS (MM)	PRICE (\$)
NP.DT.TS.40*60*25*1,2	40 x 60 x 25	340 x 540	1,2	203 \$
N.DT.TS.50*60*30*1,2	50 x 60 x 30	440 x 540	1,2	254 \$
NP.DT.TS.60*80*25*1,2	60 x 80 x 25	540 x 740	1,2	323 \$
NP.DT.TS.60*80*30*1,2	60 x 80 x 30	540 x 740	1,2	347 \$
NP.DT.TS.70*100*30*1,2	70 x 100 x 30	640 x 940	1,2	451 \$
NP.DT.TS.80*100*30*1,2	80 x 100 x 30	740 x 940	1,2	506 \$
NP.DT.TS.70*120*30*1,2	70 x 120 x 30	640 x 1140	1,2	529 \$
NP.DT.TS.80*120*30*1,2	80 x 120 x 30	740 x 1140	1,2	576 \$
NP.DT.TS.90*120*30*1,2	90 x 120 x 30	840 x 1140	1,2	633 \$
NP.DT.TS.40*60*25*1	40 x 60 x 25	340 x 540	1	183 \$
NP.DT.TS.50*60*30*1	50 x 60 x 30	440 x 540	1	223 \$
NP.DT.TS.60*80*25*1	60 x 80 x 25	540 x 740	1	287 \$
NP.DT.TS.60*80*30*1	60 x 80 x 30	540 x 740	1	304 \$
NP.DT.TS.70*100*30*1	70 x 100 x 30	640 x 940	1	399 \$
NP.DT.TS.80*100*30*1	80 x 100 x 30	740 x 940	1	439 \$
NP.DT.TS.70*120*30*1	70 x 120 x 30	640 x 1140	1	460 \$
NP.DT.TS.80*120*30*1	80 x 120 x 30	740 x 1140	1	507 \$
NP.DT.TS.90*120*30*1	90 x 120 x 30	840 x 1140	1	554 \$

WALL MOUNTED OUTDOOR TYPE ENCLOSURE WITH DEAD FRONT

TECHNICAL SPECIFICATIONS	
Type	Welded
Design	Outdoor Type
Area of Use	Industrial
Protection Class	IP 65
Colors	RAL 7035
Paint	Electrostatic Powder
Depth	200 mm
Width	400-900 mm
Height	600-1200 mm
Door	Single-Double door
Option	With Dead Front

- When placing an order, the location of the openings on the doors for air filters, energy analyzers and alarms must be specified.
- Depending on preference, doors can be fitted with glass.
- To ensure protection against moisture and dust, the doors have a polyurethane seal.
- The door is installed with concealed hinges and an Espagnolette lock.
- The opening direction of the door can be changed.
- Asymmetrical roof is used to divert rainwater away from the enclosure.
- For enclosures with dead front, the dimensions of the dead front and internal cutouts must be specified when placing the order.



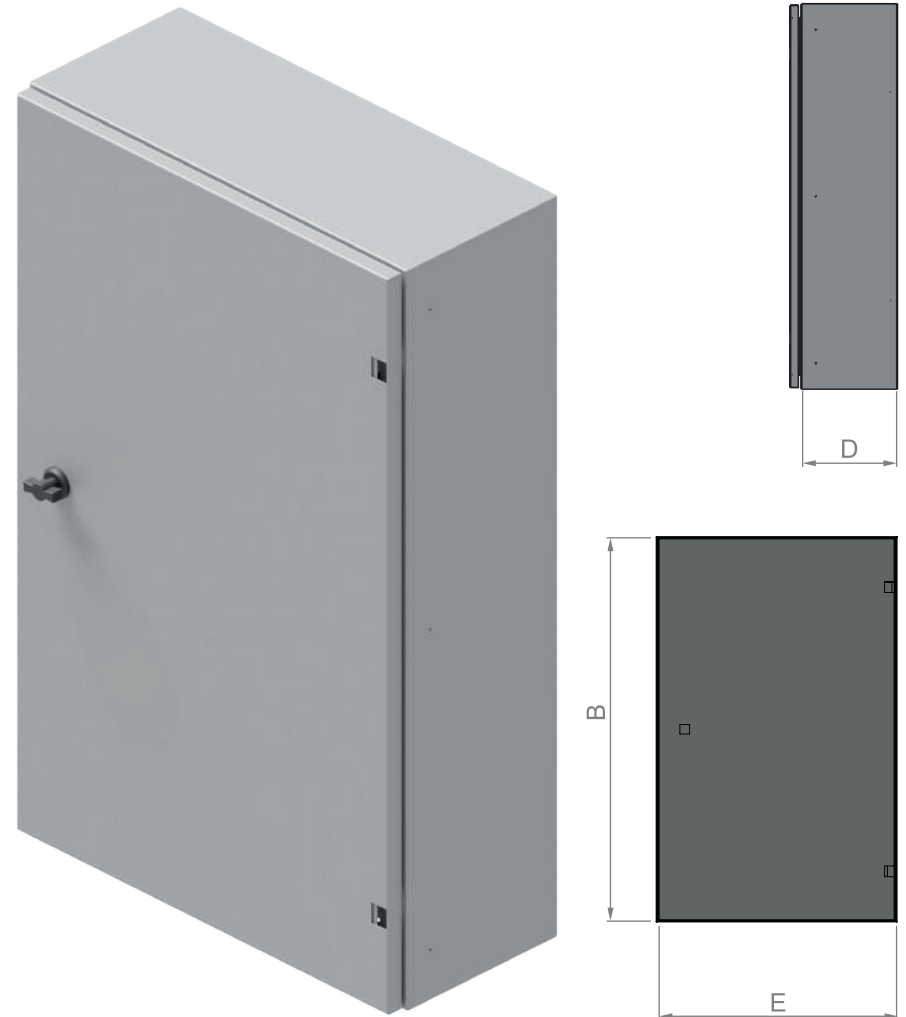


PRODUCT CODE	WIDTH x HEIGHT x DEEPTH (cm)	NUMBER OF AUTOMATS (mm)	THICKNESS (mm)	PRICE (\$)
NP.DT.PS.40*60*20*1,2	40 x 60 x 20	14	1,2	213 \$
NP.DT.PS.50*60*20*1,2	50 x 60 x 20	20	1,2	248 \$
NP.DT.PS.60*70*20*1,2	60 x 70 x 20	25	1,2	312 \$
NP.DT.PS.60*80*20*1,2	60 x 80 x 20	25	1,2	354 \$
NP.DT.PS.70*100*20*1,2	70 x 100 x 20	31	1,2	474 \$
NP.DT.PS.80*100*20*1,2	80 x 100 x 20	36	1,2	527 \$
NP.DT.PS.70*120*20*1,2	70 x 120 x 20	31	1,2	550 \$
NP.DT.PS.80*120*20*1,2	80 x 120 x 20	36	1,2	614 \$
NP.DT.PS.90*120*20*1,2	90 x 120 x 20	42	1,2	679 \$
NP.DT.PS.40*60*20*1	40 x 60 x 20	14	1	187 \$
NP.DT.PS.50*60*20*1	50 x 60 x 20	20	1	217 \$
NP.DT.PS.60*70*20*1	60 x 70 x 20	25	1	275 \$
NP.DT.PS.60*80*20*1	60 x 80 x 20	25	1	305 \$
NP.DT.PS.70*100*20*1	70 x 100 x 20	31	1	409 \$
NP.DT.PS.80*100*20*1	80 x 100 x 20	36	1	456 \$
NP.DT.PS.70*120*20*1	70 x 120 x 20	31	1	477 \$
NP.DT.PS.80*120*20*1	80 x 120 x 20	36	1	531 \$
NP.DT.PS.90*120*20*1	90 x 120 x 20	42	1	586 \$

SURFACE MOUNTED ENCLOSURE WITH MOUNTING PLATE

TECHNICAL SPECIFICATIONS	
Type	Welded
Design	Surface Mounted
Area of Use	Industrial
Protection Class	IP 55
Colors	RAL 7035
Paint	Electrostatic Powder
Depth	150-300 mm
Width	300-800 mm
Height	400-1000 mm
Door	Single-Double door
Option	With Mounting Plate

- When placing an order, the location of the openings on the doors for air filters, energy analyzers and alarms must be specified.
- The opening direction of the door can be changed.
- Wall brackets are available to facilitate the mounting of enclosures to the wall.
- Depending on preference, the doors can be fitted with glass.
- To ensure protection against moisture and dust, the doors have a polyurethane seal.



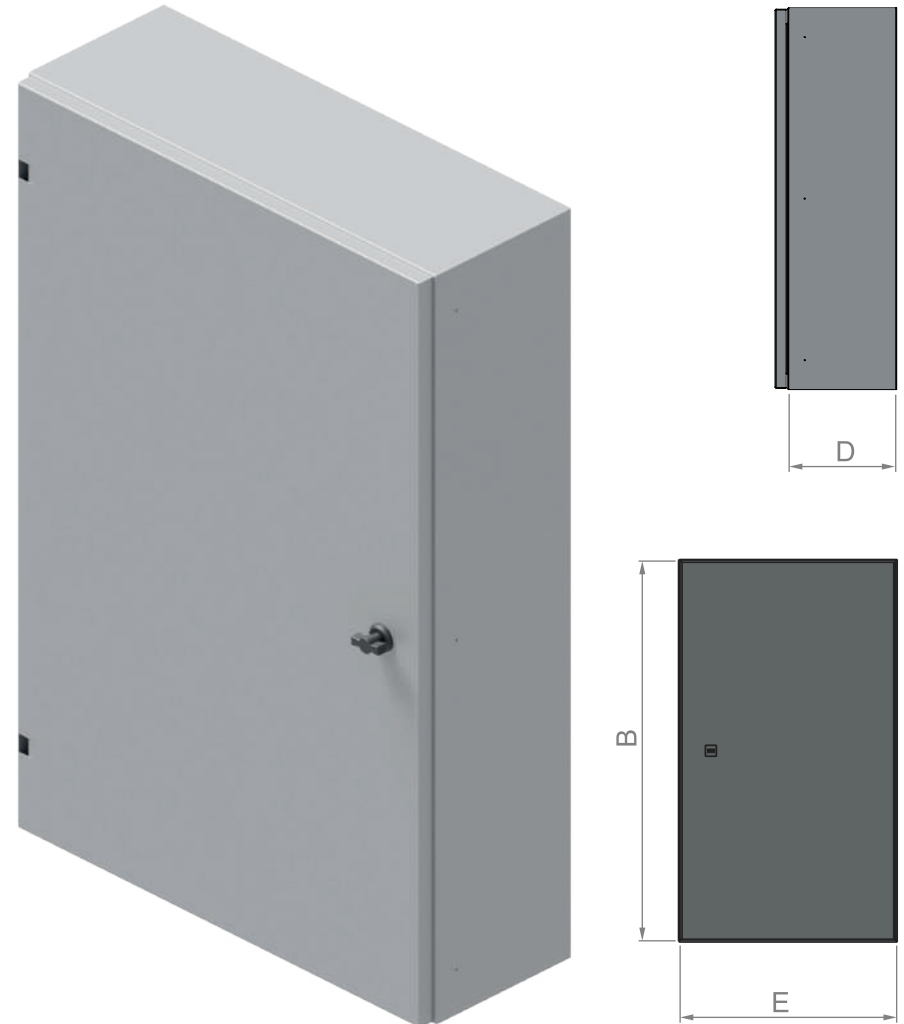
PRODUCT CODE	WIDTH x HEIGHT x DEPTH (cm)	MOUNTING PLATE (mm)	THICKNESS (mm)	PRICE (\$)
NP.DU.TS.30*40*15*1,2	30 x 40 x 15	230 x 330	1,2	93 \$
NP.DU.TS.30*40*25*1,2	30 x 40 x 25	230 x 330	1,2	110 \$
NP.DU.TS.30*50*15*1,2	30 x 50 x 15	230 x 430	1,2	108 \$
NP.DU.TS.30*50*25*1,2	30 x 50 x 25	230 x 430	1,2	124 \$
NP.DU.TS.30*60*15*1,2	30 x 60 x 15	230 x 530	1,2	117 \$
NP.DU.TS.30*60*25*1,2	30 x 60 x 25	230 x 530	1,2	138 \$
NP.DU.TS.40*40*15*1,2	40 x 40 x 15	330 x 330	1,2	109 \$
NP.DU.TS.40*40*25*1,2	40 x 40 x 25	330 x 330	1,2	128 \$
NP.DU.TS.40*50*15*1,2	40 x 50 x 15	330 x 430	1,2	123 \$
NP.DU.TS.40*50*25*1,2	40 x 50 x 25	330 x 430	1,2	146 \$
NP.DU.TS.40*60*15*1,2	40 x 60 x 15	330 x 530	1,2	140 \$
NP.DU.TS.40*60*25*1,2	40 x 60 x 25	330 x 530	1,2	160 \$
NP.DU.TS.40*70*15*1,2	40 x 70 x 15	330 x 630	1,2	153 \$
NP.DU.TS.40*70*25*1,2	40 x 70 x 25	330 x 630	1,2	178 \$
NP.DU.TS.50*70*15*1,2	50 x 70 x 15	430 x 630	1,2	178 \$
NP.DU.TS.50*70*25*1,2	50 x 70 x 25	430 x 630	1,2	204 \$
NP.DU.TS.50*80*15*1,2	50 x 80 x 15	430 x 730	1,2	196 \$
NP.DU.TS.50*80*25*1,2	50 x 80 x 25	430 x 730	1,2	228 \$
NP.DU.TS.60*80*15*1,2	60 x 80 x 15	530 x 730	1,2	226 \$
NP.DU.TS.60*80*25*1,2	60 x 80 x 25	530 x 730	1,2	254 \$
NP.DU.TS.50*80*30*1,2	50 x 80 x 30	430 x 730	1,2	239 \$
NP.DU.TS.50*90*30*1,2	50 x 90 x 30	430 x 830	1,2	261 \$
NP.DU.TS.50*100*30*1,2	50 x 100 x 30	430 x 930	1,2	284 \$
NP.DU.TS.70*100*30*1,2	70 x 100 x 30	630 x 930	1,2	356 \$
NP.DU.TS.80*100*30*1,2	80 x 100 x 30	730 x 930	1,2	399 \$
NP.DU.TS.30*40*15*1	30 x 40 x 15	230 x 330	1	85 \$

PRODUCT CODE	WIDTH x HEIGHT x DEPTH (cm)	MOUNTING PLATE (mm)	THICKNESS (mm)	PRICE (\$)
NP.DU.TS.30*40*25*1	30 x 40 x 25	230 x 330	1	99 \$
NP.DU.TS.30*50*15*1	30 x 50 x 15	230 x 430	1	96 \$
NP.DU.TS.30*50*25*1	30 x 50 x 25	230 x 430	1	112 \$
NP.DU.TS.30*60*15*1	30 x 60 x 15	230 x 530	1	106 \$
NP.DU.TS.30*60*25*1	30 x 60 x 25	230 x 530	1	124 \$
NP.DU.TS.40*40*15*1	40 x 40 x 15	330 x 330	1	99 \$
NP.DU.TS.40*40*25*1	40 x 40 x 25	330 x 330	1	114 \$
NP.DU.TS.40*50*15*1	40 x 50 x 15	330 x 430	1	112 \$
NP.DU.TS.40*50*25*1	40 x 50 x 25	330 x 430	1	129 \$
NP.DU.TS.40*60*15*1	40 x 60 x 15	330 x 530	1	125 \$
NP.DU.TS.40*60*25*1	40 x 60 x 25	330 x 530	1	145 \$
NP.DU.TS.40*70*15*1	40 x 70 x 15	330 x 630	1	138 \$
NP.DU.TS.40*70*25*1	40 x 70 x 25	330 x 630	1	160 \$
NP.DU.TS.50*70*15*1	50 x 70 x 15	430 x 630	1	159 \$
NP.DU.TS.50*70*25*1	50 x 70 x 25	430 x 630	1	183 \$
NP.DU.TS.50*80*15*1	50 x 80 x 15	430 x 730	1	175 \$
NP.DU.TS.50*80*25*1	50 x 80 x 25	430 x 730	1	201 \$
NP.DU.TS.60*80*15*1	60 x 80 x 15	530 x 730	1	199 \$
NP.DU.TS.60*80*25*1	60 x 80 x 25	530 x 730	1	226 \$
NP.DU.TS.50*80*30*1	50 x 80 x 30	430 x 730	1	213 \$
NP.DU.TS.50*90*30*1	50 x 90 x 30	430 x 830	1	232 \$
NP.DU.TS.50*100*30*1	50 x 100 x 30	430 x 930	1	251 \$
NP.DU.TS.60*90*30*1	60 x 90 x 30	530 x 830	1	261 \$
NP.DU.TS.60*100*30*1	60 x 100 x 30	530 x 930	1	283 \$
NP.DU.TS.70*100*30*1	70 x 100 x 30	630 x 930	1	315 \$
NP.DU.TS.80*100*30*1	80 x 100 x 30	730 x 930	1	347 \$

SURFACE MOUNTED ENCLOSURE WITH DEAD FRONT

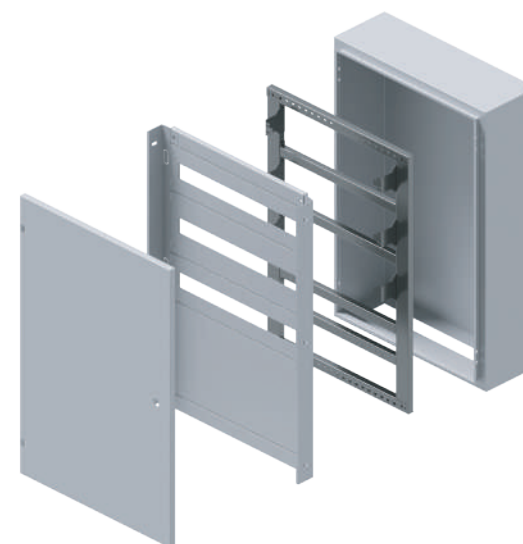
TECHNICAL SPECIFICATIONS	
Type	Modular
Design	Surface Mounted
Area of Use	Industrial
Protection Class	IP 55
Colors	RAL 7035
Paint	Electrostatic Powder
Depth	150-250 mm
Width	400-800 mm
Height	500-1000 mm
Door	Single-Double Door
Option	With Dead Front

- The number of automats indicated in the table refers to the Single row.
- The design of the dead front can be modified on request.
- For enclosures with dead front, the dimensions of the dead front and internal cutouts must be specified when placing the order.
- Door is equipped with concealed hinges and a butterfly lock.
- The opening direction of the door can be changed.
- Depending on preference, the doors can be fitted with glass.
- Wall brackets are available to facilitate the mounting of enclosures to the wall.
- To ensure protection against moisture and dust, the doors have a polyurethane seal.
- When placing an order, the location of the openings on the doors for air filters, energy analyzers and alarms must be specified.



PRODUCT CODE	WIDTH x HEIGHT x DEPTH (cm)	NUMBER OF AUTOMATS	THICKNESS (mm)	PRICE (\$)
NP.DU.PS.40*50*20*1,2	40 x 50 x 20	14	1,2	163 \$
NP.DU.PS.40*60*15*1,2	40 x 60 x 15	14	1,2	195 \$
NP.DU.PS.40*60*20*1,2	40 x 60 x 20	14	1,2	208 \$
NP.DU.PS.40*60*25*1,2	40 x 60 x 25	14	1,2	223 \$
NP.DU.PS.40*70*15*1,2	40 x 70 x 15	14	1,2	218 \$
NP.DU.PS.40*70*25*1,2	40 x 70 x 25	14	1,2	248 \$
NP.DU.PS.50*60*20*1,2	50 x 60 x 20	19	1,2	243 \$
NP.DU.PS.50*70*15*1,2	50 x 70 x 15	19	1,2	255 \$
NP.DU.PS.50*70*20*1,2	50 x 70 x 20	19	1,2	272 \$
NP.DU.PS.60*70*20*1,2	60 x 70 x 20	25	1,2	311 \$
NP.DU.PS.60*80*20*1,2	60 x 80 x 20	25	1,2	354 \$
NP.DU.PS.70*80*20*1,2	70 x 80 x 20	30	1,2	389 \$
NP.DU.PS.70*90*20*1,2	70 x 90 x 20	30	1,2	431 \$
NP.DU.PS.80*90*20*1,2	80 x 90 x 20	36	1,2	484 \$
NP.DU.PS.80*100*20*1,2	80 x 100 x 20	36	1,2	527 \$
NP.DU.PS.40*50*20*1	40 x 50 x 20	14	1	157 \$
NP.DU.PS.40*60*15*1	40 x 60 x 15	14	1	175 \$
NP.DU.PS.40*60*20*1	40 x 60 x 20	14	1	187 \$
NP.DU.PS.40*60*25*1	40 x 60 x 25	14	1	200 \$
NP.DU.PS.40*70*15*1	40 x 70 x 15	14	1	194 \$
NP.DU.PS.40*70*25*1	40 x 70 x 25	14	1	222 \$
NP.DU.PS.50*60*20*1	50 x 60 x 20	19	1	217 \$

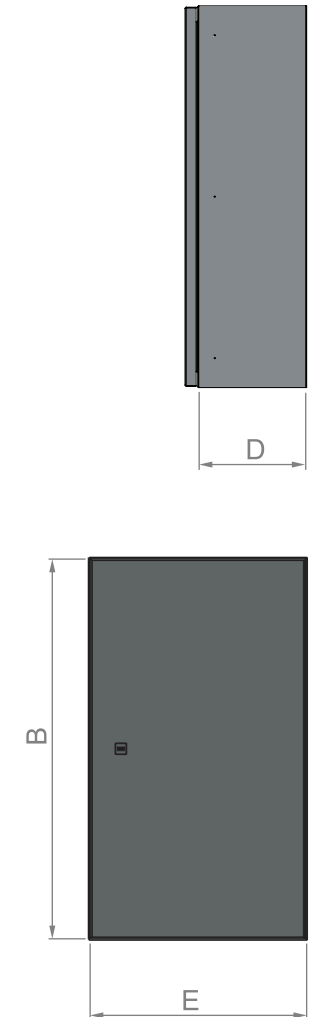
PRODUCT CODE	WIDTH x HEIGHT x DEPTH (cm)	NUMBER OF AUTOMATS	THICKNESS (mm)	PRICE (\$)
NP.DU.PS.50*70*15*1	50 x 70 x 15	19	1	227 \$
NP.DU.PS.50*70*20*1	50 x 70 x 20	19	1	242 \$
NP.DU.PS.60*70*20*1	60 x 70 x 20	25	1	275 \$
NP.DU.PS.60*80*20*1	60 x 80 x 20	25	1	305 \$
NP.DU.PS.70*80*20*1	70 x 80 x 20	30	1	342 \$
NP.DU.PS.70*90*20*1	70 x 90 x 20	30	1	376 \$
NP.DU.PS.80*90*20*1	80 x 90 x 20	36	1	418 \$
NP.DU.PS.80*100*20*1	80 x 100 x 20	36	1	456 \$



SURFACE MOUNTED SEMI-MODULAR ENCLOSURE WITH DEAD FRONT

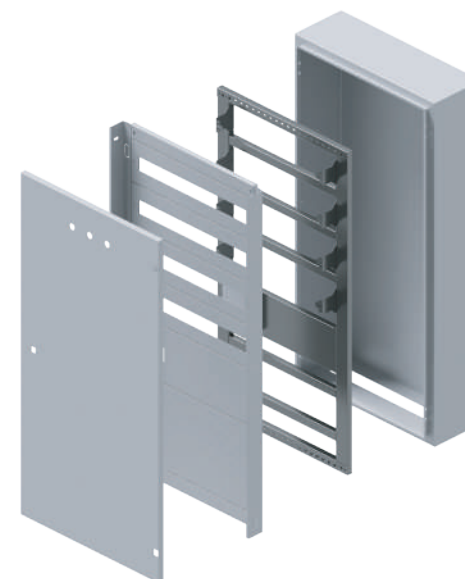
TECHNICAL SPECIFICATIONS	
Type	Welded
Design	Surface Mounted
Area of Use	Industrial
Protection Class	IP 55
Colors	RAL 7035
Paint	Electrostatic Powder
Depth	150-400 mm
Width	400-800 mm
Height	500-1000 mm
Door	Single-Double Door
Option	With Dead Front

- Number of automats indicated in the table refers to Single row.
- The design of the dead front can be modified on request, please specify the dimensions of the dead front and internal cut-outs when placing the order.
- When placing an order, the location of the openings on the doors for air filters, energy analyzers and alarms must be specified.
- Door is equipped with concealed hinges and a butterfly lock.
- Depending on preference, the doors can be equipped with glass and the direction of opening can be changed.
- Wall brackets are available to facilitate the mounting of enclosures to the wall.
- To ensure protection against moisture and dust, the doors have a polyurethane seal.
- Side walls are welded.



PRODUCT CODE	WIDTH x HEIGHT x DEPTH (cm)	NUMBER OF AUTOMATS	THICKNESS (mm)	PRICE (\$)
NP.DU.PS.40*50*20*1,2	40 x 50 x 20	14	1,2	185 \$
NP.DU.PS.40*60*15*1,2	40 x 60 x 15	14	1,2	195 \$
NP.DU.PS.40*60*20*1,2	40 x 60 x 20	14	1,2	208 \$
NP.DU.PS.40*60*25*1,2	40 x 60 x 25	14	1,2	223 \$
NP.DU.PS.40*70*15*1,2	40 x 70 x 15	14	1,2	218 \$
NP.DU.PS.40*70*25*1,2	40 x 70 x 25	14	1,2	248 \$
NP.DU.PS.50*60*20*1,2	50 x 60 x 20	19	1,2	243 \$
NP.DU.PS.50*70*15*1,2	50 x 70 x 15	19	1,2	255 \$
NP.DU.PS.50*70*20*1,2	50 x 70 x 20	19	1,2	272 \$
NP.DU.PS.60*70*20*1,2	60 x 70 x 20	25	1,2	311 \$
NP.DU.PS.60*80*20*1,2	60 x 80 x 20	25	1,2	354 \$
NP.DU.PS.70*80*20*1,2	70 x 80 x 20	30	1,2	389 \$
NP.DU.PS.70*90*20*1,2	70 x 90 x 20	30	1,2	431 \$
NP.DU.PS.80*90*20*1,2	80 x 90 x 20	36	1,2	484 \$
NP.DU.PS.80*100*20*1,2	80 x 100 x 20	36	1,2	527 \$
NP.DU.PS.40*50*20*1	40 x 50 x 20	14	1	166 \$
NP.DU.PS.40*60*15*1	40 x 60 x 15	14	1	175 \$
NP.DU.PS.40*60*20*1	40 x 60 x 20	14	1	187 \$
NP.DU.PS.40*60*25*1	40 x 60 x 25	14	1	200 \$
NP.DU.PS.40*70*15*1	40 x 70 x 15	14	1	194 \$
NP.DU.PS.40*70*25*1	40 x 70 x 25	14	1	222 \$
NP.DU.PS.50*60*20*1	50 x 60 x 20	19	1	217 \$

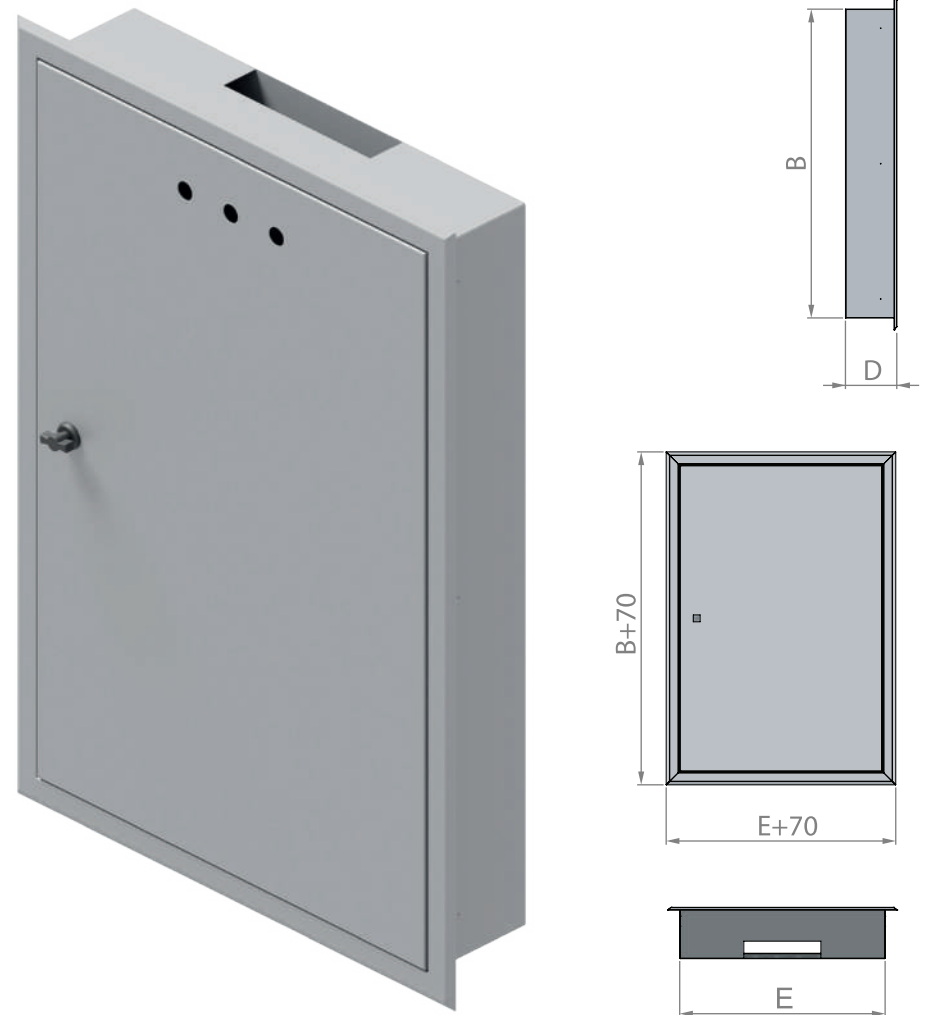
PRODUCT CODE	WIDTH x HEIGHT x DEPTH (cm)	NUMBER OF AUTOMATS	THICKNESS (mm)	PRICE (\$)
NP.DU.PS.50*70*15*1	50 x 70 x 15	19	1	227 \$
NP.DU.PS.50*70*20*1	50 x 70 x 20	19	1	242 \$
NP.DU.PS.60*70*20*1	60 x 70 x 20	25	1	275 \$
NP.DU.PS.60*80*20*1	60 x 80 x 20	25	1	305 \$
NP.DU.PS.70*80*20*1	70 x 80 x 20	30	1	342 \$
NP.DU.PS.70*90*20*1	70 x 90 x 20	30	1	376 \$
NP.DU.PS.80*90*20*1	80 x 90 x 20	36	1	418 \$
NP.DU.PS.80*100*20*1	80 x 100 x 20	36	1	456 \$



RECESSED ENCLOSURE WITH MOUNTING PLATE

TECHNICAL SPECIFICATIONS	
Type	Welded
Design	Recessed
Area of Use	Industrial
Protection Class	IP 55
Colors	RAL 7035
Paint	Electrostatic Powder
Depth	100-175 mm
Width	300-800 mm
Height	400-1000 mm
Door	Single-Double Door
Option	With Mounting Plate

- When placing an order, the location of the openings on the doors for air filters, energy analyzers and alarms must be specified.
- Depending on preference, the doors can be equipped with glass.
- The opening direction of the door can be changed.
- To ensure protection against moisture and dust, the doors have a polyurethane seal.
- Door is equipped with concealed hinges and a butterfly lock.



PRODUCT CODE	WIDTH x HEIGHT x DEPTH (cm)	MOUNTING PLATE(mm)	THICKNESS (mm)	PRICE (\$)
NP.DA.TS.30*40*10	30 x 40 x 10	260X360	1	114 \$
NP.DA.TS.30*40*15	30 x 40 x 15	260X360	1	124 \$
NP.DA.TS.30*50*10	30 x 50 x 10	260X460	1	128 \$
NP.DA.TS.30*50*15	30 x 50 x 15	260X460	1	139 \$
NP.DA.TS.30*60*10	30 x 60 x 10	260X560	1	142 \$
NP.DA.TS.30*60*15	30 x 60 x 15	260X560	1	154 \$
NP.DA.TS.40*40*10	40 x 40 x 10	360X360	1	131 \$
NP.DA.TS.40*40*15	40 x 40 x 15	360X360	1	142 \$
NP.DA.TS.40*50*10	40 x 50 x 10	360X460	1	148 \$
NP.DA.TS.40*50*15	40 x 50 x 15	360X460	1	161 \$
NP.DA.TS.40*60*10	40 x 60 x 10	360X560	1	165 \$
NP.DA.TS.40*60*15	40 x 60 x 15	360X560	1	179 \$
NP.DA.TS.40*70*10	40 x 70 x 10	360X660	1	183 \$
NP.DA.TS.40*70*15	40 x 70 x 15	360X660	1	197 \$
NP.DA.TS.50*70*10	50 x 70 x 10	460X660	1	210 \$
NP.DA.TS.50*70*15	50 x 70 x 15	460X660	1	226 \$
NP.DA.TS.50*80*10	50 x 80 x 10	460X760	1	230 \$
NP.DA.TS.50*80*15	50 x 80 x 15	460X760	1	248 \$
NP.DA.TS.60*80*10	60 x 80 x 10	560X760	1	261 \$
NP.DA.TS.60*80*15	60 x 80 x 15	560X760	1	279 \$
NP.DA.TS.50*80*15	50 x 80 x 15	460X760	1	311 \$
NP.DA.TS.50*90*15	50 x 90 x 15	460X860	1	269 \$

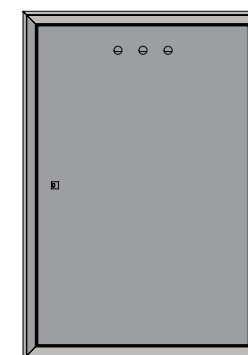
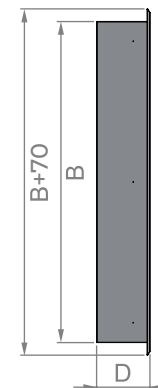
PRODUCT CODE	WIDTH x HEIGHT x DEPTH (cm)	MOUNTING PLATE(mm)	THICKNESS (mm)	PRICE (\$)
NP.DA.TS.50*100*15	50 x 100 x 15	460X960	1	291 \$
NP.DA.TS.60*90*15	60 x 90 x 15	560X860	1	304 \$
NP.DA.TS.60*100*15	60 x 100 x 15	560X960	1	329 \$
NP.DA.TS.70*100*15	70 x 100 x 15	660X960	1	368 \$
NP.DA.TS.80*100*15	80 x 100 x 15	760X960	1	406 \$

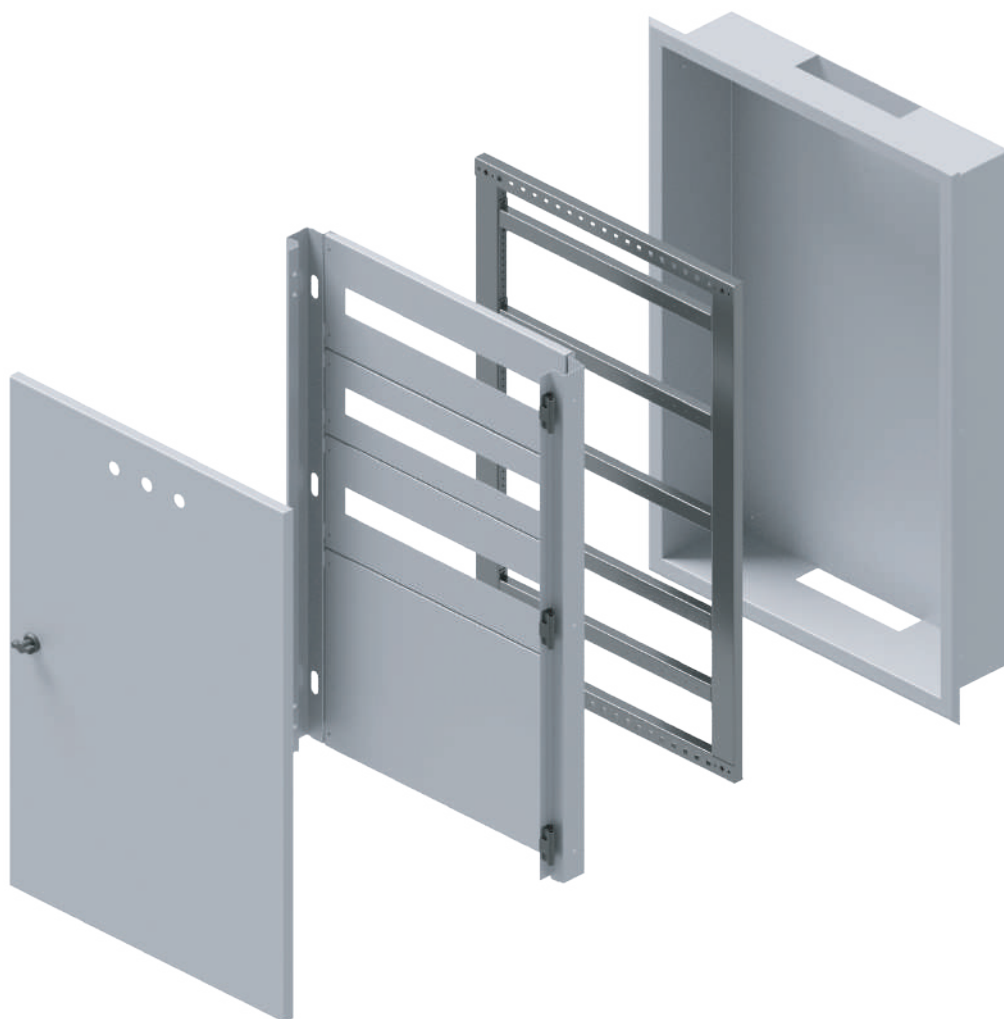


RECESSED ENCLOSURE WITH DEAD FRONT

TECHNICAL SPECIFICATIONS	
Type	Welded
Design	Recessed
Area of Use	Industrial
Protection Class	IP 55
Colors	RAL 7035
Paint	Electrostatic Powder
Depth	100-175 mm
Width	400-800 mm
Height	500-1000 mm
Door	Single-Double door
Option	With Dead Front

- Number of automats indicated in the table refers to single row.
- The design of the dead front can be modified on request.
- The opening direction of the door can be changed.
- Door is equipped with concealed hinges and a butterfly lock.
- For enclosures with dead front, the dimensions of the dead front and internal cutouts must be specified when placing the order.
- To ensure protection against moisture and dust, the doors have a polyurethane seal.
- When placing an order, the location of the openings on the doors for air filters, energy analyzers and alarms must be specified.





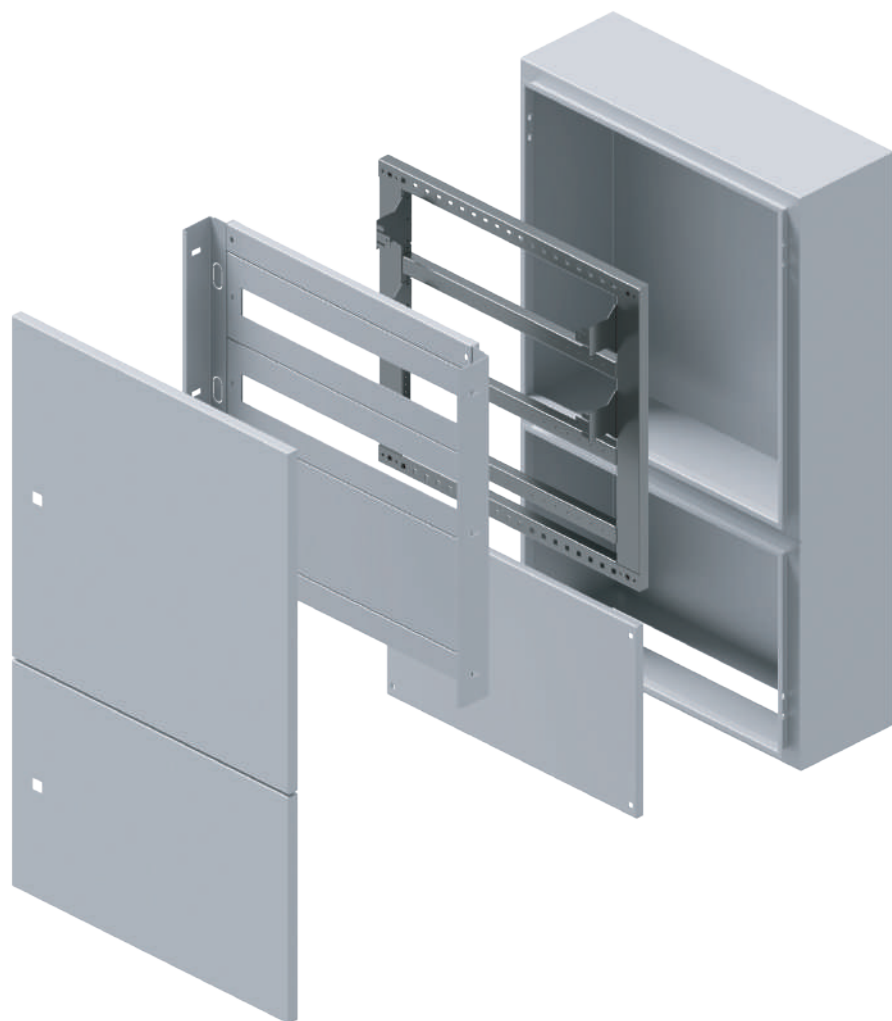
PRODUCT CODE	WIDTH x HEIGHT x DEPTH (cm)	NUMBER OF AUTOMATS	THICKNESS (mm)	PRICE (\$)
NP.DA.PS.40*50*10	40 x 50 x 10	14	1	165 \$
NP.DA.PS.40*60*10	40 x 60 x 10	14	1	186 \$
NP.DA.PS.40*60*15	40 x 60 x 15	14	1	200 \$
NP.DA.PS.40*70*15	40 x 70 x 15	14	1	255 \$
NP.DA.PS.50*60*15	50 x 60 x 15	19	1	230 \$
NP.DA.PS.50*70*15	50 x 70 x 15	19	1	256 \$
NP.DA.PS.60*70*15	60 x 70 x 15	25	1	290 \$
NP.DA.PS.60*80*15	60 x 80 x 15	25	1	320 \$
NP.DA.PS.70*80*15	70 x 80 x 15	30	1	359 \$
NP.DA.PS.70*90*15	70 x 90 x 15	30	1	393 \$
NP.DA.PS.80*90*15	80 x 90 x 15	36	1	436 \$
NP.DA.PS.80*100*15	80 x 100 x 15	36	1	475 \$

SURFACE MOUNTED DISTRIBUTION + LOW VOLTAGE BOARD

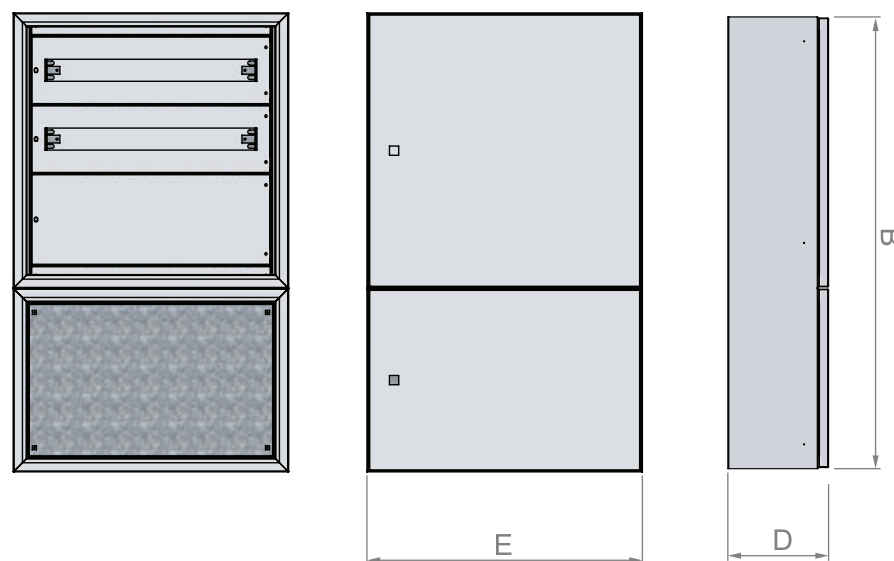
TECHNICAL SPECIFICATIONS	
Type	Welded
Design	Surface Mounted
Area of Use	Industrial
Protection Class	IP 55
Colors	RAL 7035
Paint	Electrostatic Powder
Depth	100-200 mm
Width	600 mm
Height	800-1000 mm
Door	Top - Bottom Door
Option	Upper part - distribution board, lower part - low-current board

- When placing an order, the location of the openings on the doors for air filters, energy analyzers and alarms must be specified.
- To ensure protection against moisture and dust, the doors have a polyurethane seal.
- The opening direction of the door can be changed.
- Depending on preference, the doors can be equipped with glass.
- Door is equipped with concealed hinges and a butterfly lock.





PRODUCT CODE	WIDTH x HEIGHT x DEPTH (cm)	THICKNESS (mm)	PRICE (\$)
NP.ZU.TS.60*80*10	60 x 80 x 10	1	234 \$
NP.ZU.TS.60*90*10	60 x 90 x 10	1	257 \$
NP.ZU.TS.60*90*15	60 x 90 x 15	1	275 \$
NP.ZU.TS.60*100*20	60 x 100 x 20	1	298 \$

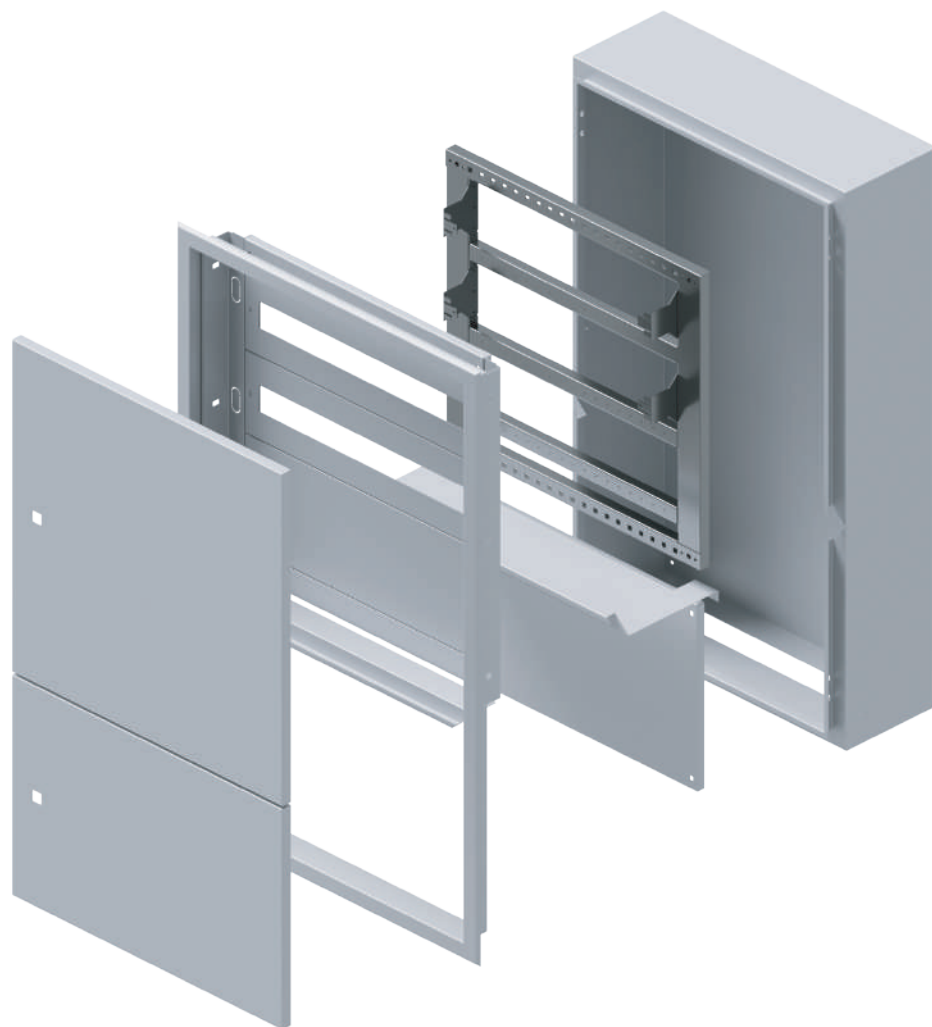


RECESSED DISTRIBUTION + LOW VOLTAGE BOARD

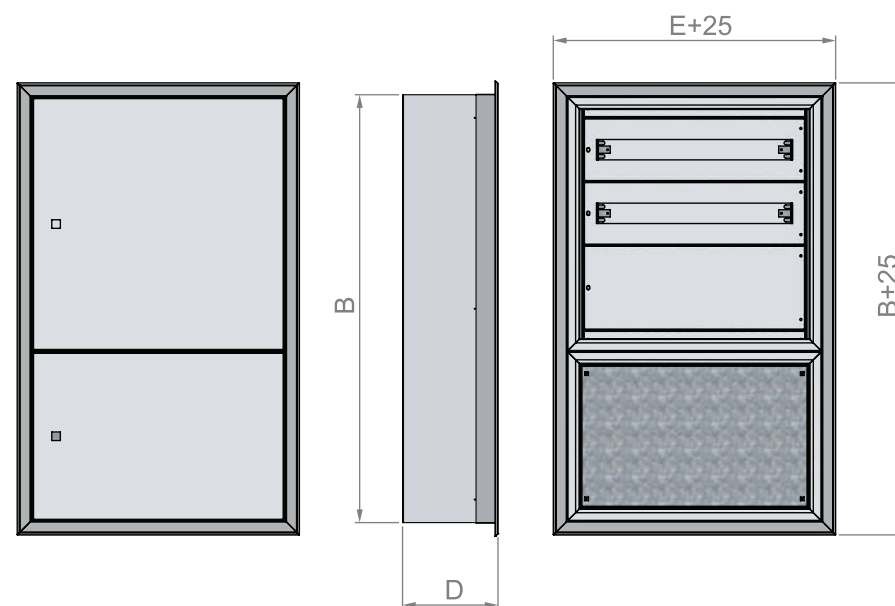
TECHNICAL SPECIFICATIONS	
Type	Welded
Design	Recessed
Area of Use	Industrial
Protection Class	IP 55
Colors	RAL 7035
Paint	Electrostatic Powder
Depth	100-200 mm
Width	600 mm
Height	800-1000 mm
Door	Top - Bottom Door
Option	Upper part - distribution board, lower part - low-current board

- When placing an order, the location of the openings on the doors for air filters, energy analyzers and alarms must be specified.
- To ensure protection against moisture and dust, the doors have a polyurethane seal.
- The opening direction of the door can be changed.
- Depending on preference, the doors can be equipped with glass.
- Door is equipped with concealed hinges and a butterfly lock.





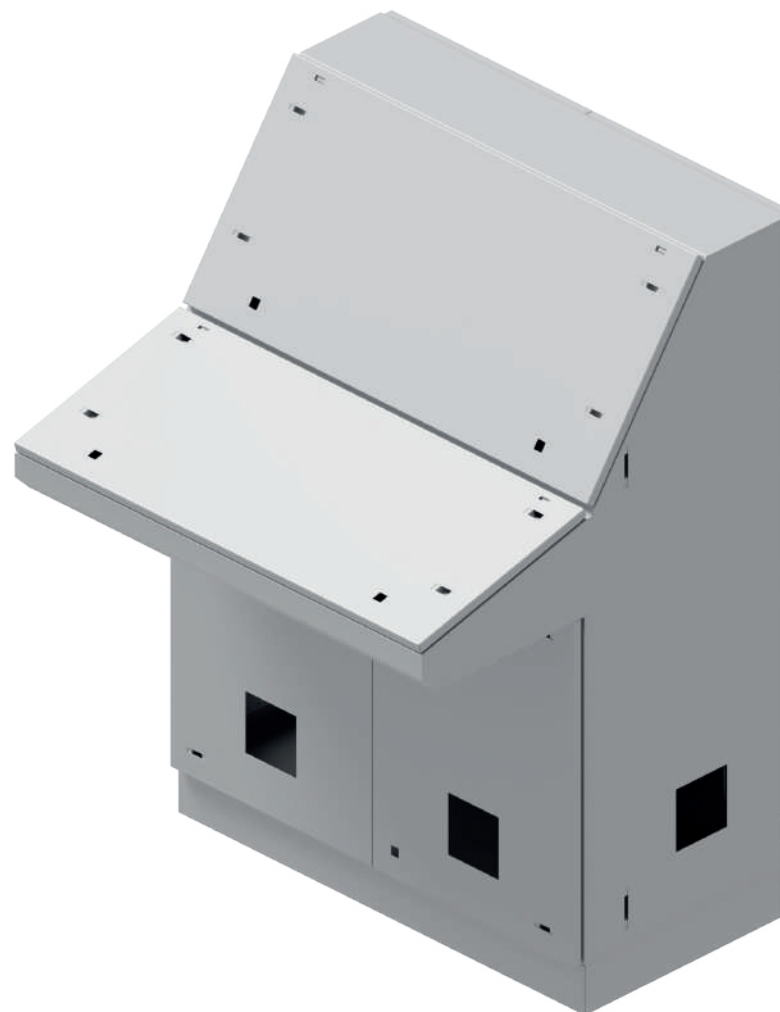
PRODUCT CODE	WIDTH x HEIGHT x DEPTH (cm)	THICKNESS (mm)	PRICE (\$)
NP.ZA.TS.60*80*10	60 x 80 x 10	1	261 \$
NP.ZA.TS.60*90*10	60 x 90 x 10	1	284 \$
NP.ZA.TS.60*90*15	60 x 90 x 15	1	304 \$
NP.ZA.TS.60*100*20	60 x 100 x 20	1	329 \$



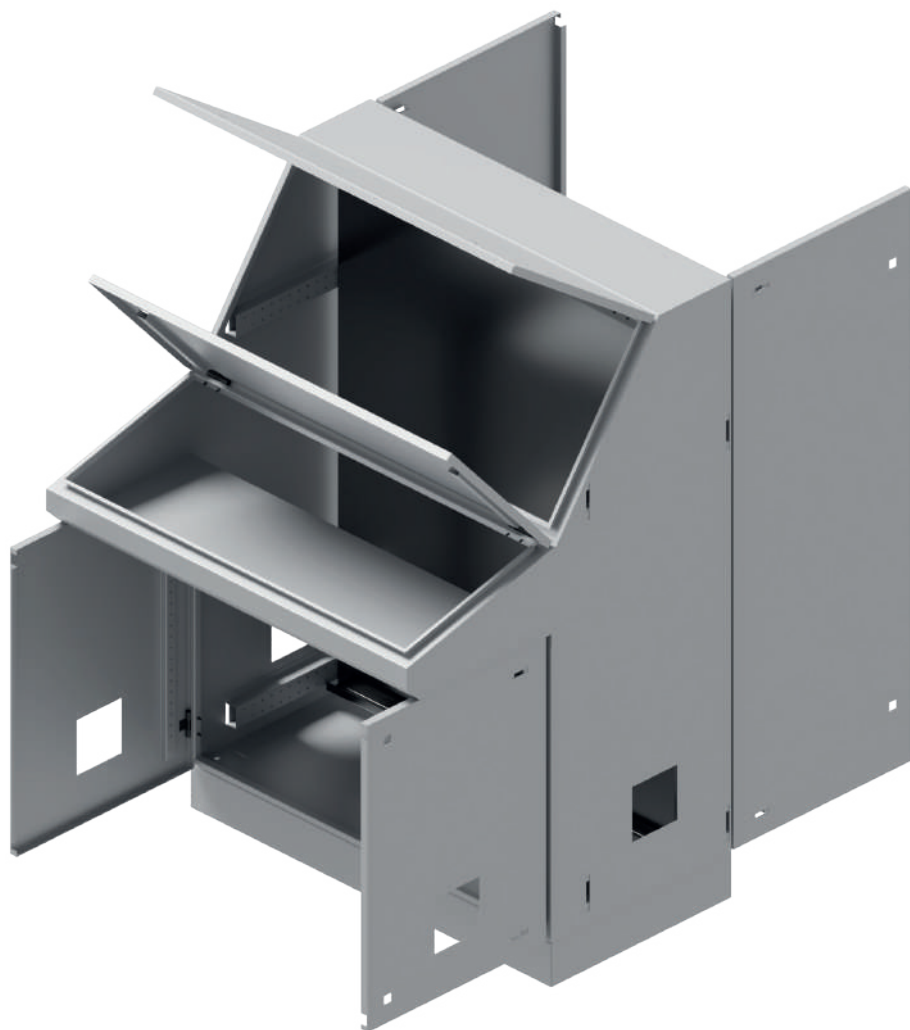
DESK CONSOLE

TECHNICAL SPECIFICATIONS	
Type	Welded
Design	Surface Mounted
Area of Use	Industrial
Protection Class	IP 55
Colors	RAL 7035
Paint	Electrostatic Powder
Depth	500 mm
Width	600-1200 mm
Height	1400 mm
Door	Single door: Width 60 cm and 80 cm Double door: Width 100 cm and 120 cm
Option	With Mounting Plate

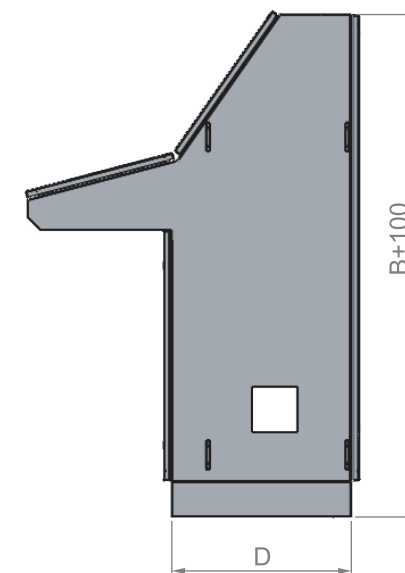
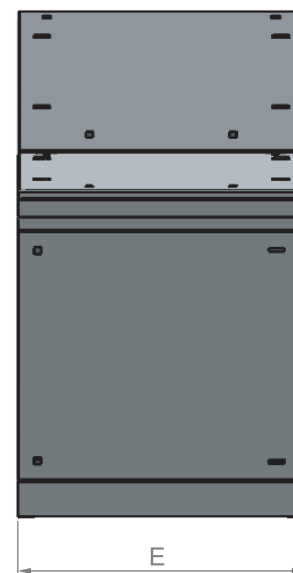
- When placing an order, the location of the openings on the doors for air filters, energy analyzers and alarms must be specified.
- Depending on preference, the doors can be equipped with glass.
- Possible to install a double mounting plate.
- If necessary, you can order a second mounting plate separately.



PLEASE CONTACT OUR REPRESENTATIVE FOR PRICES



PRODUCT CODE	WIDTH x HEIGHT x DEPTH (cm)	THICKNESS (mm)
NP.PI.60*140*50	60 x 140 x 50	1,2
NP.PI.80*140*50	80 x 140 x 50	1,2
NP.PI.100*140*50	100 x 140 x 50	1,2
NP.PI.120*140*50	120 x 140 x 50	1,2



PULT-TYPE CONSOLE

TECHNICAL SPECIFICATIONS	
Type	Welded
Design	Surface Mounted
Area of Use	Industrial
Protection Class	IP 55
Colors	RAL 7035
Paint	Electrostatic Powder
Depth	500 mm
Width	400-1200 mm
Height	1200 mm
Door	Single-Double door
Option	With Mounting Plate

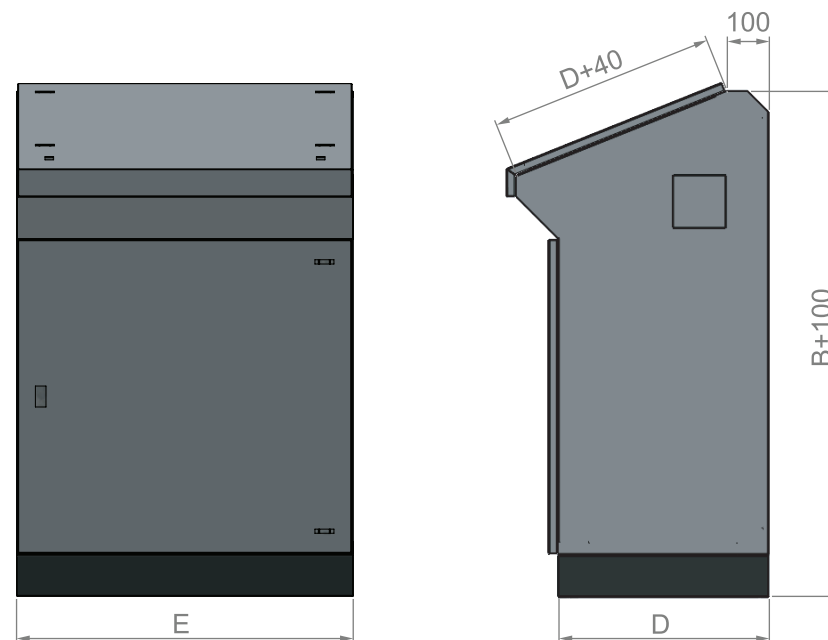
- When placing an order, the location of the openings on the doors for air filters, energy analyzers and alarms must be specified.
- Depending on preference, the doors can be equipped with glass.
- Possible to install a double mounting plate.
- If necessary, you can order a second mounting plate separately.



PLEASE CONTACT OUR REPRESENTATIVE FOR PRICES



PRODUCT CODE	WIDTH x HEIGHT x DEPTH (cm)	THICKNESS (mm)
NP.PT.40*120*30	40 x 120 x 30	1,2
NP.PT.60*120*40	60 x 120 x 40	1,2
NP.PT.80*120*40	80 x 120 x 40	1,2
NP.PT.100*120*50	100 x 120 x 50	1,2
NP.PT.120*120*50	120 x 120 x 50	1,2



KIOSK ENCLOSURE

TECHNICAL SPECIFICATIONS	
Type	Welded
Design	Floor standing
Area of Use	Industrial
Protection Class	IP 55
Colors	RAL 7035
Paint	Electrostatic Powder
Depth	150-200 mm
Width	600 mm
Height	1400-1500 mm
Door	Back Door
Option	With Mounting Plate

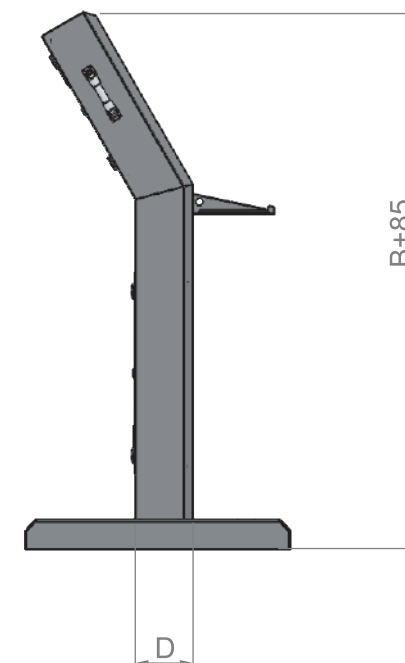
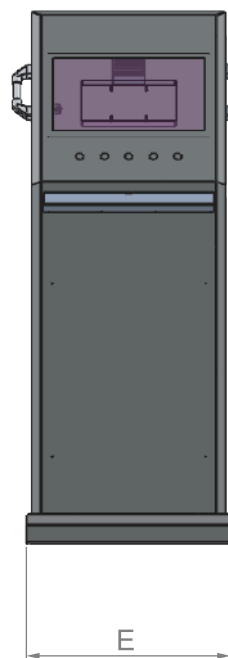
- The keyboard and monitor screen can be modified to suit your preferences.
- It can be produced with castors and can be fixed depending on your request.



PLEASE CONTACT OUR REPRESENTATIVE FOR PRICES



PRODUCT CODE	WIDTH x HEIGHT x DEPTH (cm)	OPTIONS
NP.KI.60*140*20	60 x 140 x 20	Fixed
NP.KI.60*150*15	60 x 140 x 15	Equipped with castors

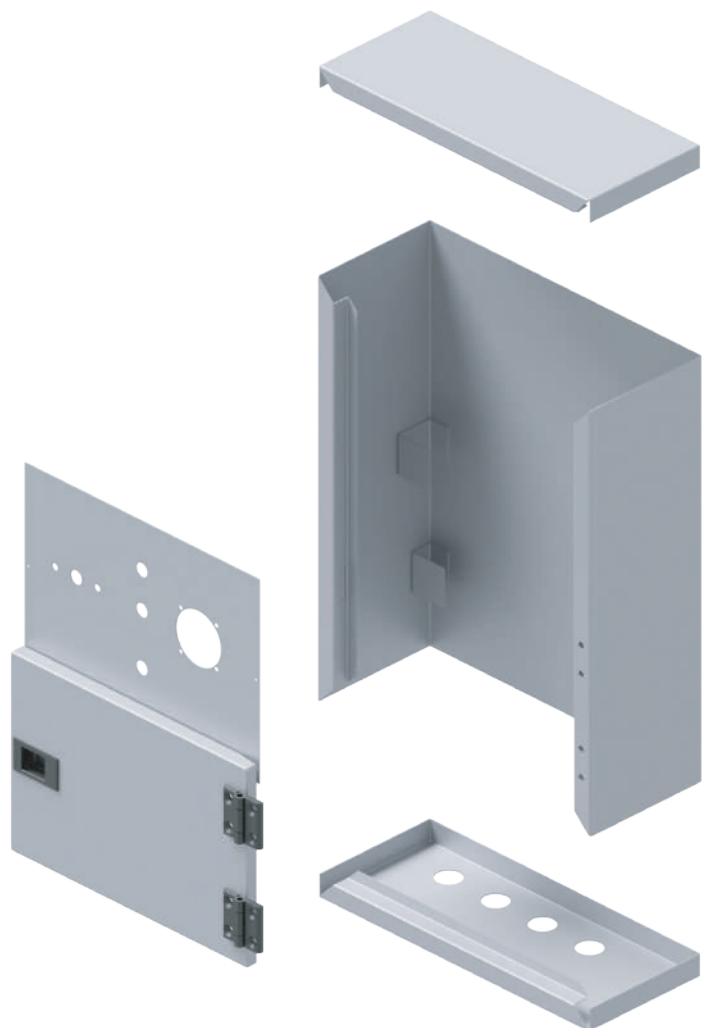


ELEVATOR CONTROL BOARDS

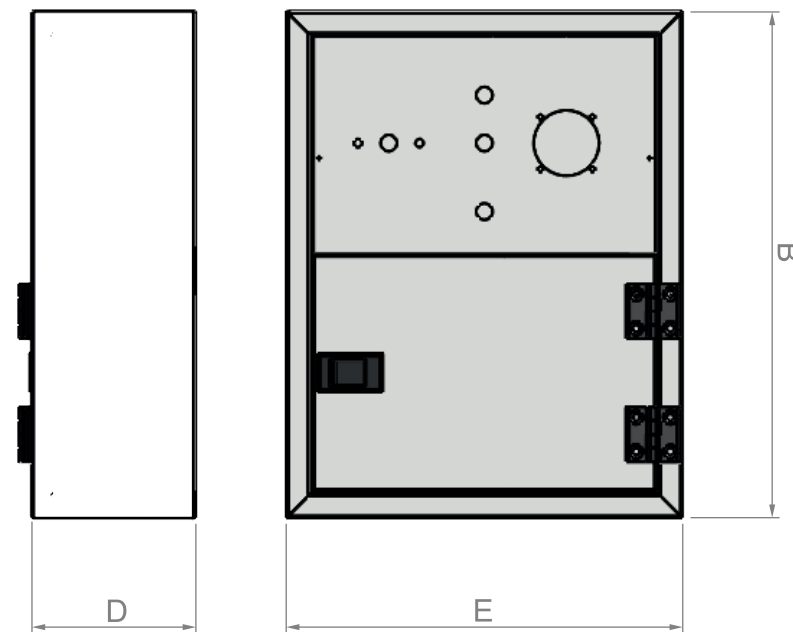
TECHNICAL SPECIFICATIONS	
Type	Welded (spot welding)
Design	Distribution Board
Area of Use	Industrial
Protection Class	IP 55
Colors	RAL 7035
Paint	Electrostatic Powder
Depth	120 mm
Width	350 mm
Height	450 mm
Door	Single Door
Option	With Dead Front



PLEASE CONTACT OUR REPRESENTATIVE FOR PRICES



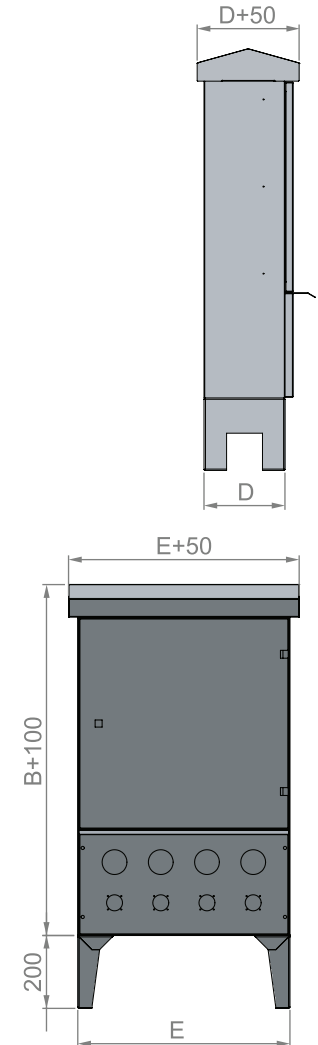
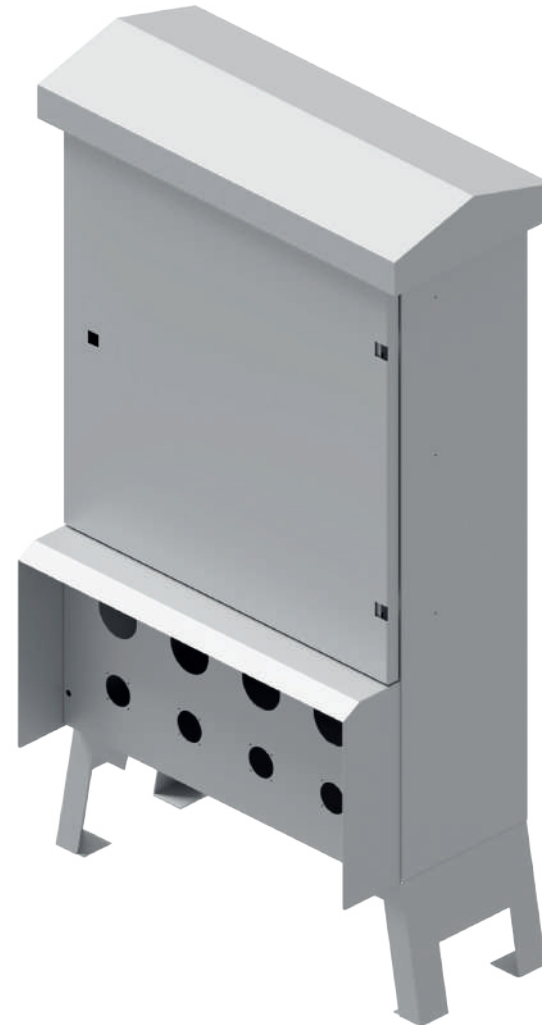
PRODUCT CODE	WIDTH x HEIGHT x DEPTH (cm)
NP.AP.35*45*12	35 x 45 x 12

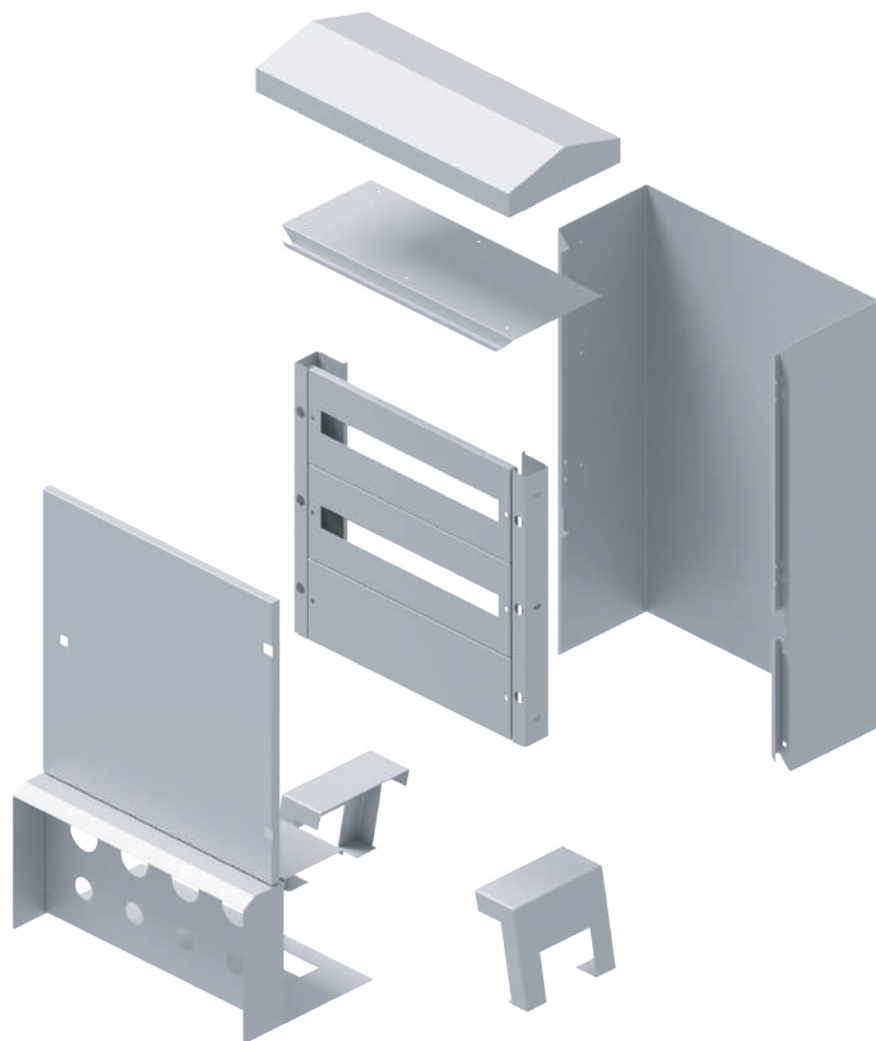


ENCLOSURE FOR CONSTRUCTION SITE INSTALLATION

TECHNICAL SPECIFICATIONS	
Type	Welded
Design	Distribution Board
Area of Use	Industrial
Protection Class	IP 65
Colors	RAL 7035
Paint	Electrostatic Powder
Depth	200-400 mm
Width	400-900 mm
Height	800-1200 mm
Door	Double door
Option	With Mounting Plate

- Depending on your preference, it can be manufactured with or without socket.

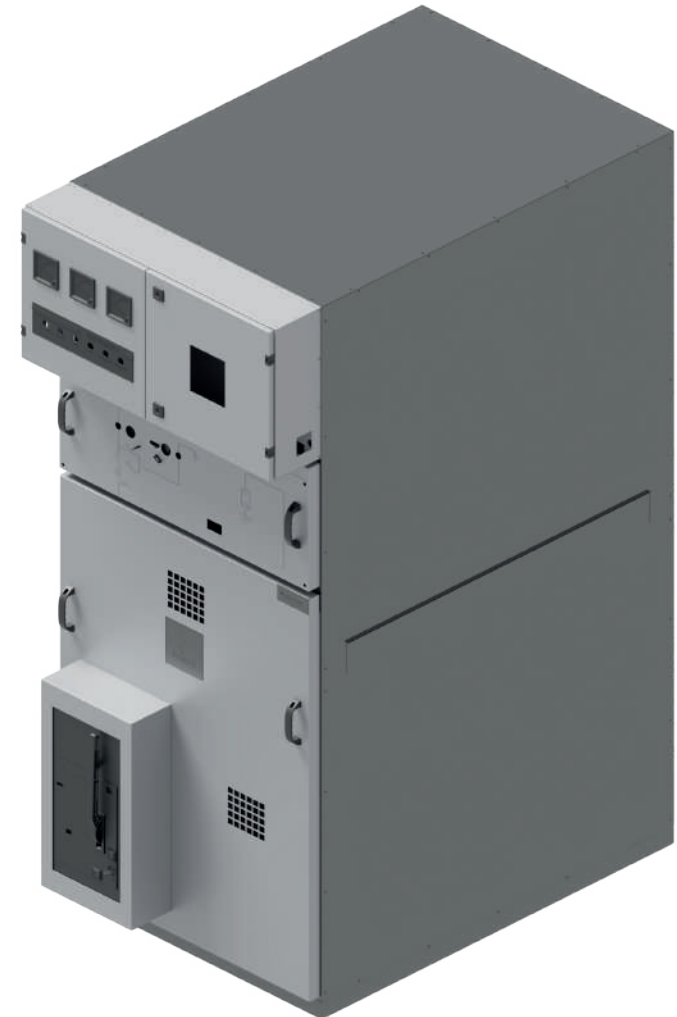




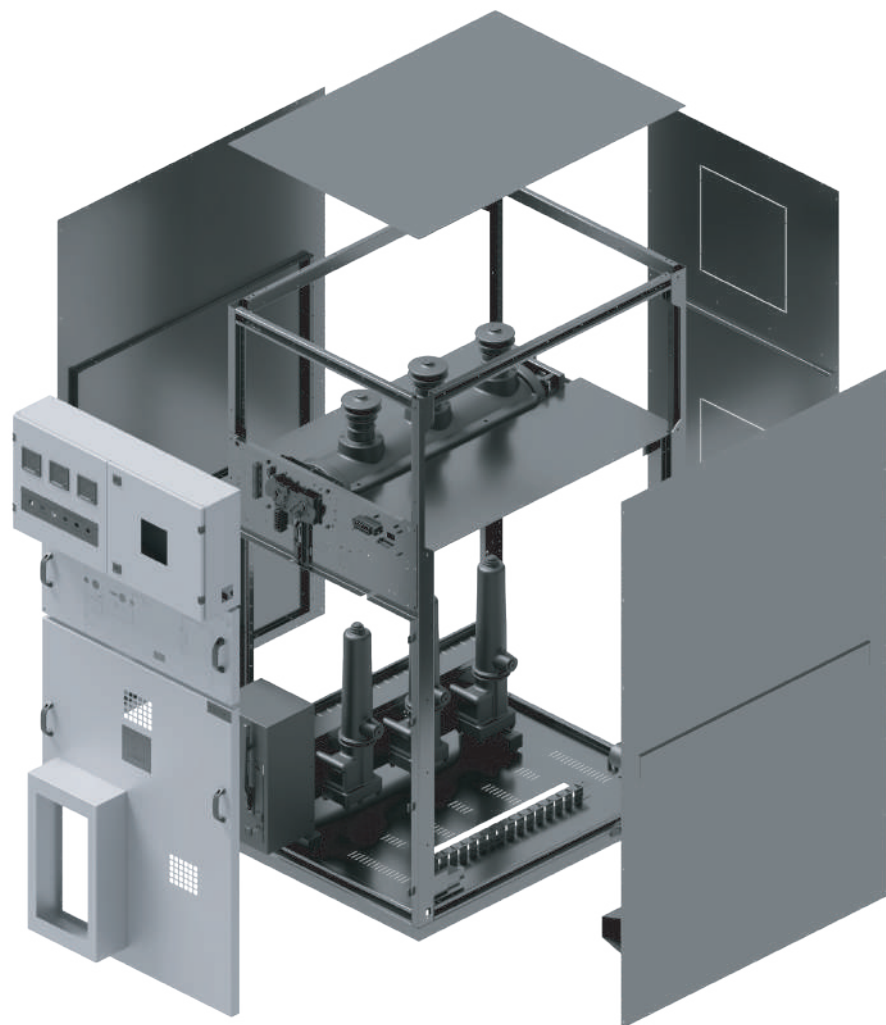
PRODUCT CODE	WIDTH x HEIGHT x DEPTH (cm)	THICKNESS (mm)	PRICE (\$)
NP.ŞP.40*80*20*1,2	40 x 80 x 20	1,2	366 \$
NP.ŞP.50*80*30*1,2	50 x 80 x 30	1,2	469 \$
NP.ŞP.60*115*25*1,2	60 x 115 x 25	1,2	664 \$
NP.ŞP.70*90*30*1,2	70 x 90 x 30	1,2	638 \$
NP.ŞP.80*100*35*1,2	80 x 100 x 35	1,2	796 \$
NP.ŞP.90*120*40*1,2	90 x 120 x 40	1,2	1048 \$
NP.ŞP.40*80*20*1	40 x 80 x 20	1	320 \$
NP.ŞP.50*80*30*1	50 x 80 x 30	1	411 \$
NP.ŞP.60*115*25*1	60 x 115 x 25	1	581 \$
NP.ŞP.70*90*30*1	70 x 90 x 30	1	558 \$
NP.ŞP.80*100*35*1	80 x 100 x 35	1	691 \$
NP.ŞP.90*120*40*1	90 x 120 x 40	1	911 \$

MEDIUM-VOLTAGE ENCLOSURE

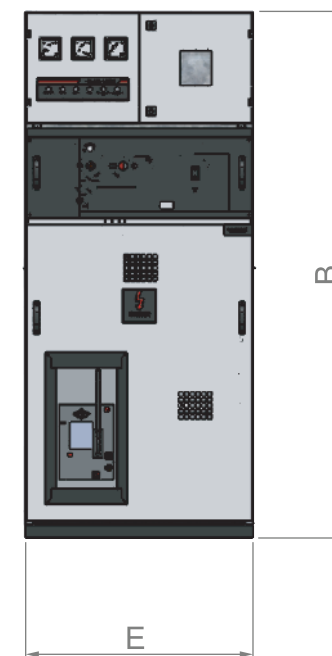
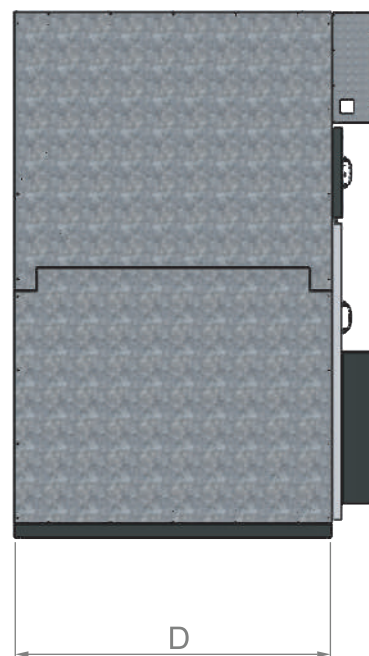
TECHNICAL SPECIFICATIONS	
Type	Floor standing
Design	Modular
Area of Use	Industrial
Protection Class	IP 55
Colors	RAL 7035
Paint	Electrostatic Powder
Height	1800 mm



PLEASE CONTACT OUR REPRESENTATIVE FOR PRICES

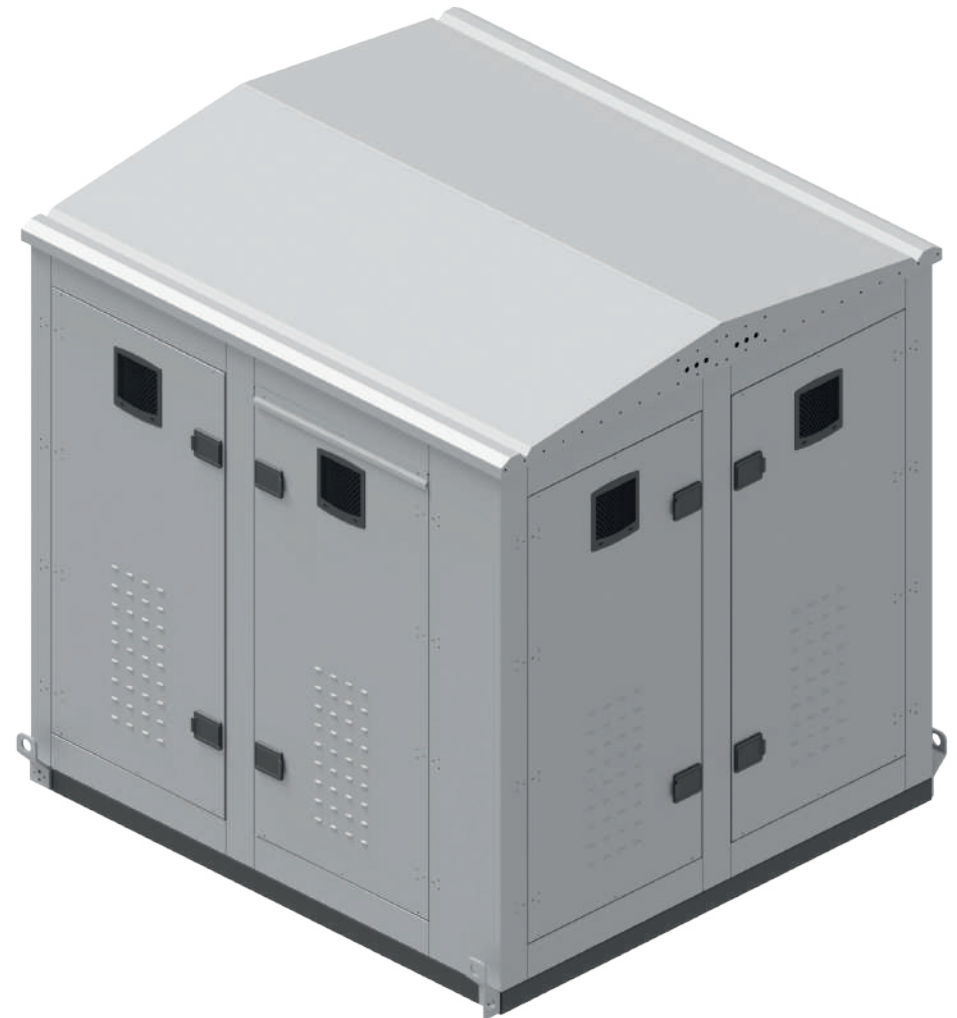


PRODUCT CODE	WIDTH x HEIGHT x DEPTH (cm)
NP.OG.70*180*50	70 x 180 x 50
NP.OG.120*180*60	120 x 180 x 60

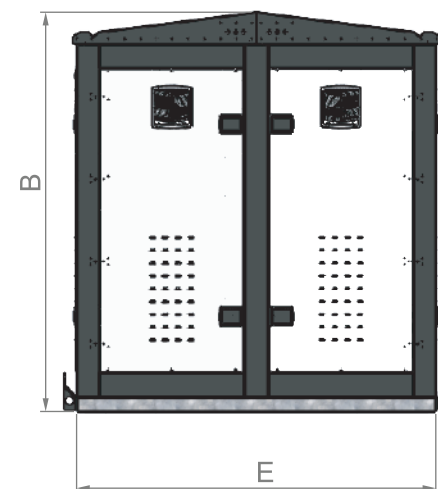
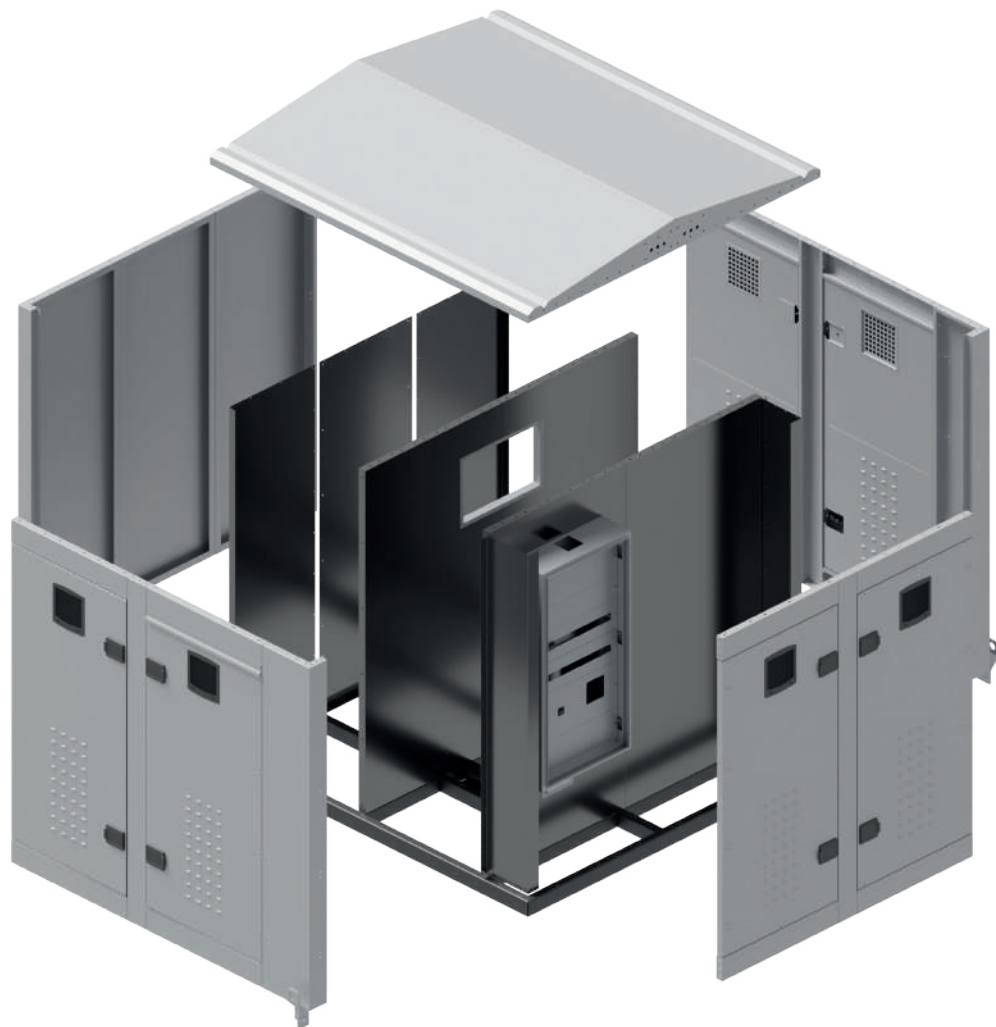


SUBSTATION KIOSKS

TECHNICAL SPECIFICATIONS	
Type	Welded
Design	Modular
Area of Use	Industrial
Protection Class	IP 65
Colors	RAL 7035
Paint	Electrostatic Powder
Door	Double Door



PLEASE CONTACT OUR REPRESENTATIVE FOR PRICES



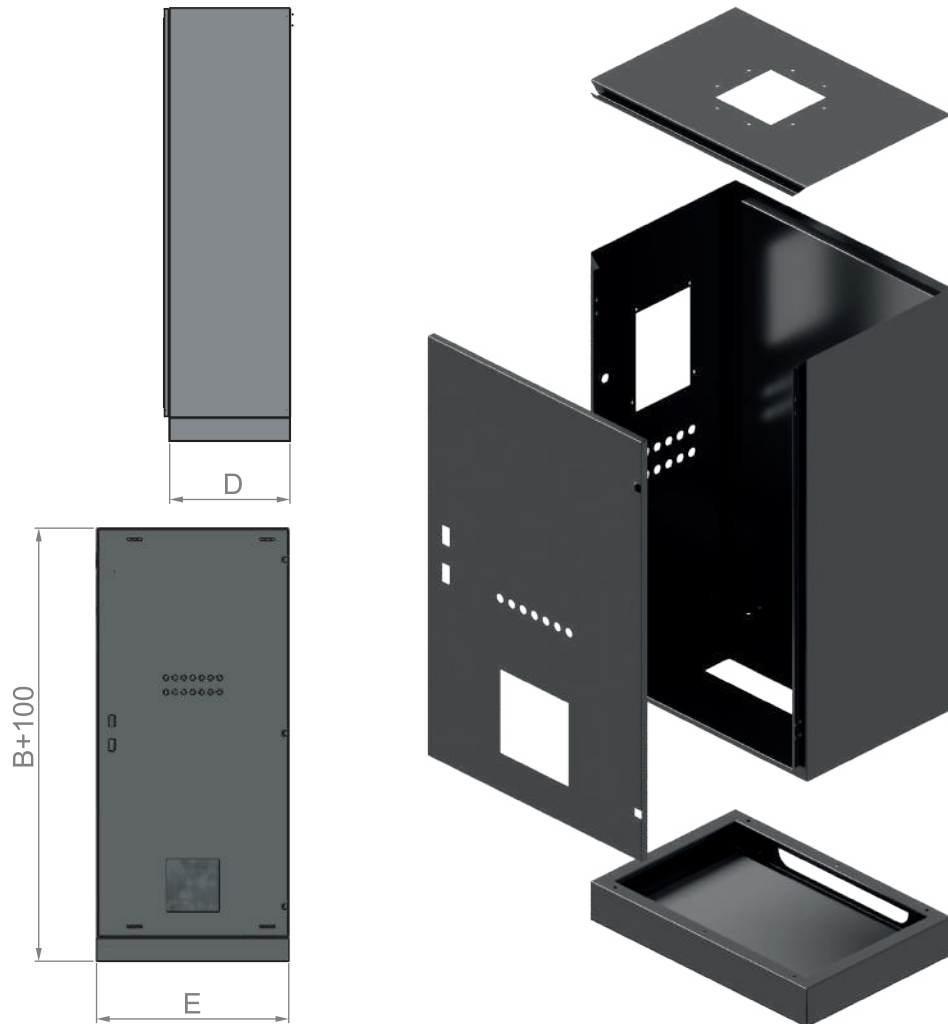
STAINLESS-STEEL ENCLOSURE WITH MOUNTING PLATE

TECHNICAL SPECIFICATIONS	
Type	Welded
Design	Surface Mounted
Area of Use	Industrial
Protection Class	IP 55
Material	304 / 316 stainless steel
Door	Single/Double door
Option	With Mounting Plate

- When placing an order, the location of the openings on the doors for air filters, energy analyzers and alarms must be specified.
- The opening direction of the door can be changed.
- Door is equipped with concealed hinges and a butterfly lock.
- Please specify the stainless-steel grade when placing your order.



PLEASE CONTACT OUR REPRESENTATIVE FOR PRICES.



PRODUCT CODE	WIDTH x HEIGHT x DEPTH (cm)	MOUNTING PLATE (mm)
NP.PS.40*40*15	40 x 40 x 15	330 X 330
NP.PS.40*120*20	40 x 120 x 20	330 X 1130
NP.PS.60*100*20	60 x 100 x 20	530 X 930
NP.PS.70*100*20	70 x 100 x 20	630 X 930
NP.PS.80*100*20	80 x 100 x 20	730 X 930
NP.PS.70*100*30	70 x 100 x 30	630 X 930
NP.PS.80*100*30	80 x 100 x 30	730 X 930
NP.PS.70*120*30	70 x 120 x 30	630 X 1130
NP.PS.80*120*30	80 x 120 x 30	730 X 1130
NP.PS.90*160*30	90 x 160 x 30	830 X 1530
NP.PS.80*180*50	80 x 180 x 50	730 X 1730
NP.PS.80*200*30	80 x 200 x 30	730 X 1930

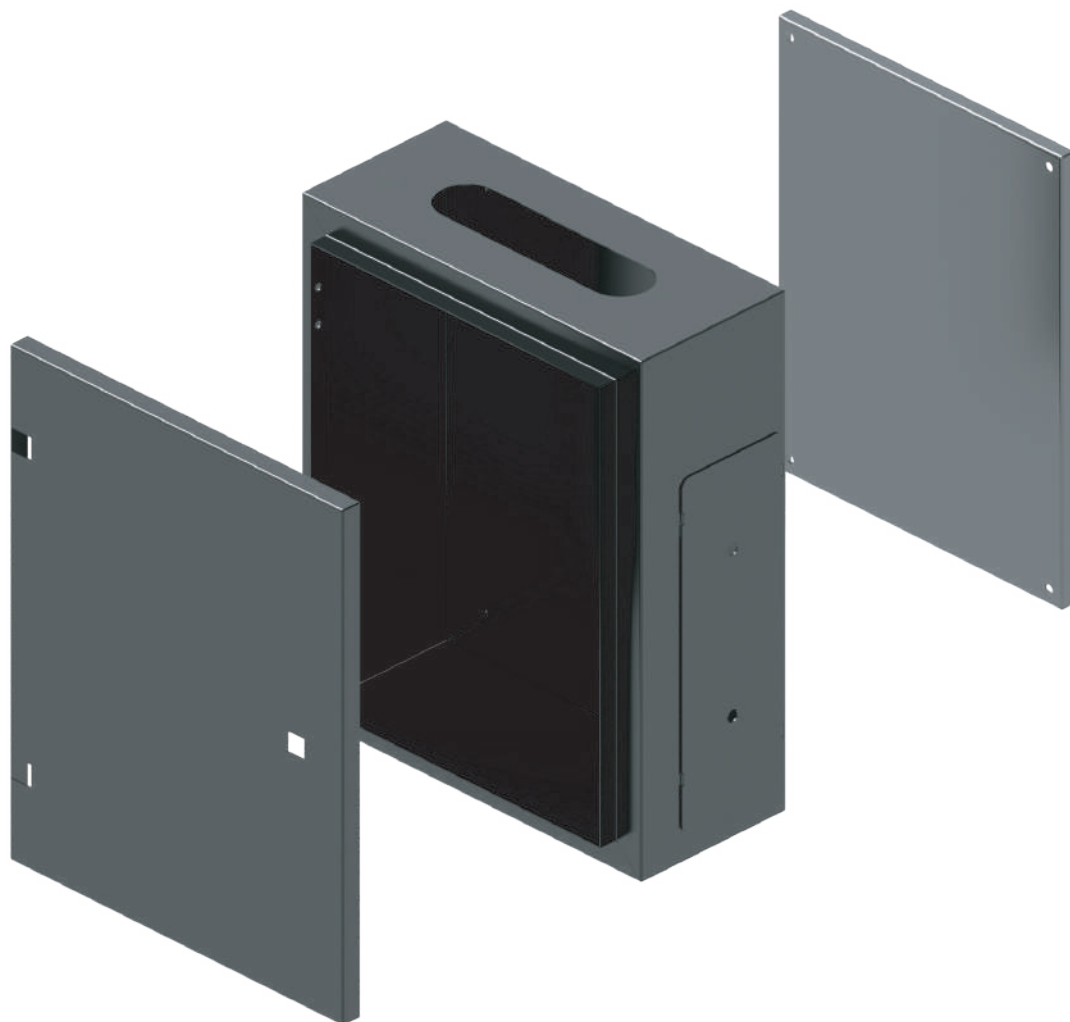
SEMI-MODULAR STAINLESS-STEEL ENCLOSURE WITH MOUNTING PLATE

TECHNICAL SPECIFICATIONS	
Type	Semi-Modular
Design	Floor standing
Area of Use	Industrial
Protection Class	IP 55
Material	304 Stainless Steel
Door	Single/Double door
Option	With Mounting Plate

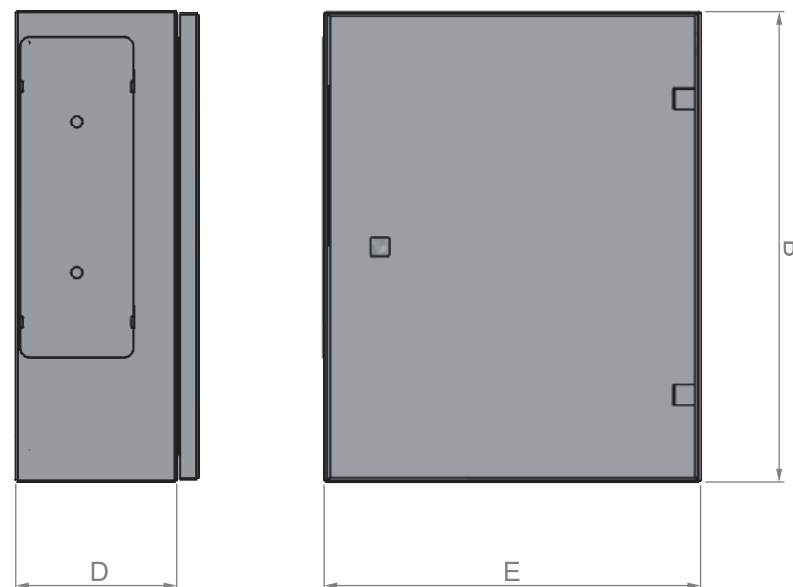
- When placing an order, the location of the openings on the doors for air filters, energy analyzers and alarms must be specified.
- The opening direction of the door can be changed.
- Door is equipped with concealed hinges and a butterfly lock.



PLEASE CONTACT OUR REPRESENTATIVE FOR PRICES



PRODUCT CODE	WIDTH x HEIGHT x DEPTH (cm)	MOUNTING PLATE (mm)
NP.PS.YM.40*160*40	40 x 160 x 40	330 X 1530
NP.PS.YM.80*200*60	80 x 200 x 60	730 X 1930



ABS ENCLOSURE WITH OPAQUE DOOR AND DEAD FRONT

TECHNICAL SPECIFICATIONS	
Design	Surface Mounted
Area of Use	Industrial
Protection Class	IP 65
Material	ABS
Door	Single Door
Colors	RAL 7035
Thermal resistance	-40°C / +80°C



PRODUCT CODE	WIDTH x HEIGHT x DEEPTH (cm)	PRICE (\$)
NP.AOP253515	25 x 35 x 15	52 \$
NP.AOP304017	30 x 40 x 17	70 \$
NP.AOP355019	35 x 50 x 19	94 \$
NP.AOP406020	40 x 60 x 20	123 \$

ABS ENCLOSURE WITH CLEAR DOOR AND DEAD FRONT

TECHNICAL SPECIFICATIONS	
Design	Surface Mounted
Area of Use	Industrial
Protection Class	IP 65
Material	ABS
Door	Single Door
Colors	RAL 7035
Thermal resistance	-40°C / +80°C



PRODUCT CODE	WIDTH x HEIGHT x DEEPTH (cm)	PRICE (\$)
NP.ASP253515	25 x 35 x 15	57 \$
NP.ASP304017	30 x 40 x 17	75 \$
NP.ASP355019	35 x 50 x 19	115 \$
NP.ASP406020	40 x 60 x 20	148 \$

ABS ENCLOSURE WITH OPAQUE DOOR

TECHNICAL SPECIFICATIONS	
Design	Surface Mounted
Area of Use	Industrial
Protection Class	IP 65
Material	ABS
Door	Single Door
Colors	RAL 7035
Thermal resistance	-40°C / +80°C

PRODUCT CODE	WIDTH x HEIGHT x DEPTH (cm)	PRICE (\$)
NP.AOK203013	20 x 30 x 13	27 \$
NP.AOK253515	25 x 35 x 15	37 \$
NP.AOK304017	30 x 40 x 17	45 \$
NP.AOK304022	30 x 40 x 22	53 \$
NP.AOK355019	35 x 50 x 19	67 \$
NP.AOK405018	40 x 50 x 18	70 \$
NP.AOK405024	40 x 50 x 24	82 \$
NP.AOK406020	40 x 60 x 20	85 \$
NP.AOK506023	50 x 60 x 23	129 \$
NP.AOK507025	50 x 70 x 25	145 \$
NP.AOK608028	60 x 80 x 28	251 \$



ABS ENCLOSURE WITH CLEAR DOOR

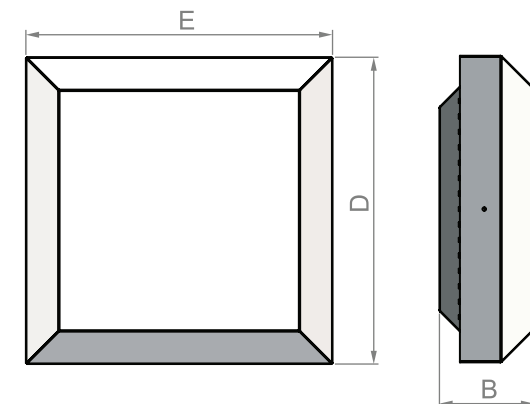
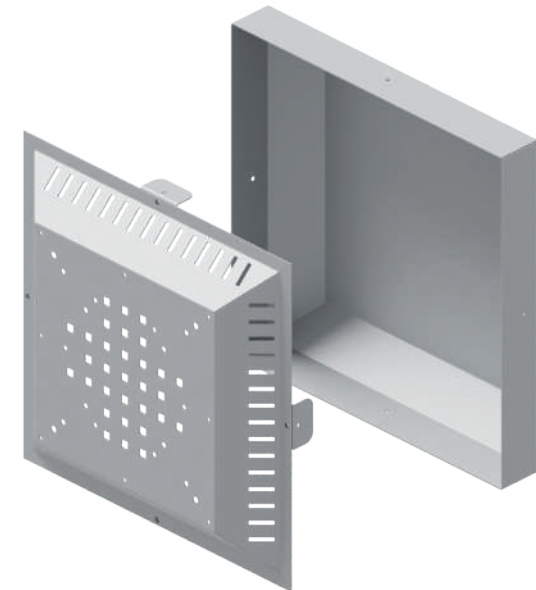
TECHNICAL SPECIFICATIONS	
Design	Surface Mounted
Area of Use	Industrial
Protection Class	IP 65
Material	ABS
Door	Single Door
Colors	RAL 7035
Thermal resistance	-40°C / +80°C

PRODUCT CODE	WIDTH x HEIGHT x DEPTH (cm)	PRICE (\$)
NP.ASK203013	20 x 30 x 13	29 \$
NP.ASK253515	25 x 35 x 15	40 \$
NP.ASK304017	30 x 40 x 17	48 \$
NP.ASK304022	30 x 40 x 22	55 \$
NP.ASK355019	35 x 50 x 19	72 \$
NP.ASK405018	40 x 50 x 18	77 \$
NP.ASK405024	40 x 50 x 24	93 \$
NP.ASK406020	40 x 60 x 20	95 \$
NP.ASK506023	50 x 60 x 23	151 \$
NP.ASK507025	50 x 70 x 25	171 \$
NP.ASK608028	60 x 80 x 28	251 \$



ROOF - TYPE VENTILATION FAN

TECHNICAL SPECIFICATIONS	
Design	Semi-Modular
Area of Use	Industrial
Protection Class	IP 32
Colors	RAL 7035
Paint	Electrostatic Powder
Plate Thickness	1,5 mm
Material	DKP



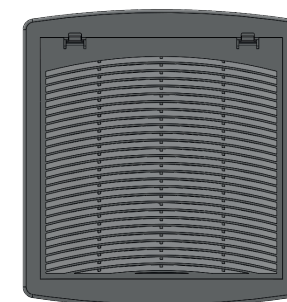
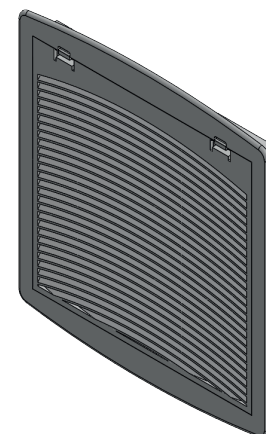
PRODUCT CODE	PRODUCT NAME	PRICE (\$)
FAN	Empty Fan Module	35 \$
FAN.300	300m ³ FAN	80 \$
FAN.600	600m ³ FAN	147 \$
FAN.900	900m ³ FAN	261 \$

TECHNICAL SPECIFICATIONS

Protection Class	IP 54
Colors	RAL 7035
Material	Plastic

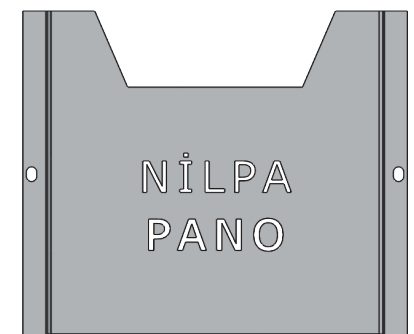
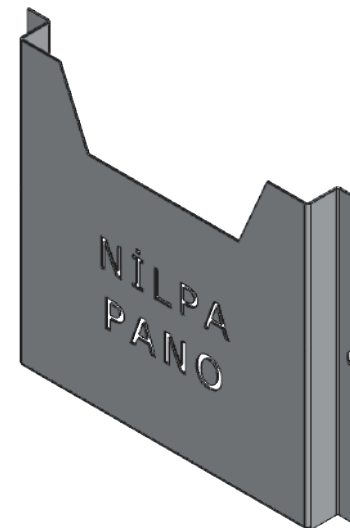
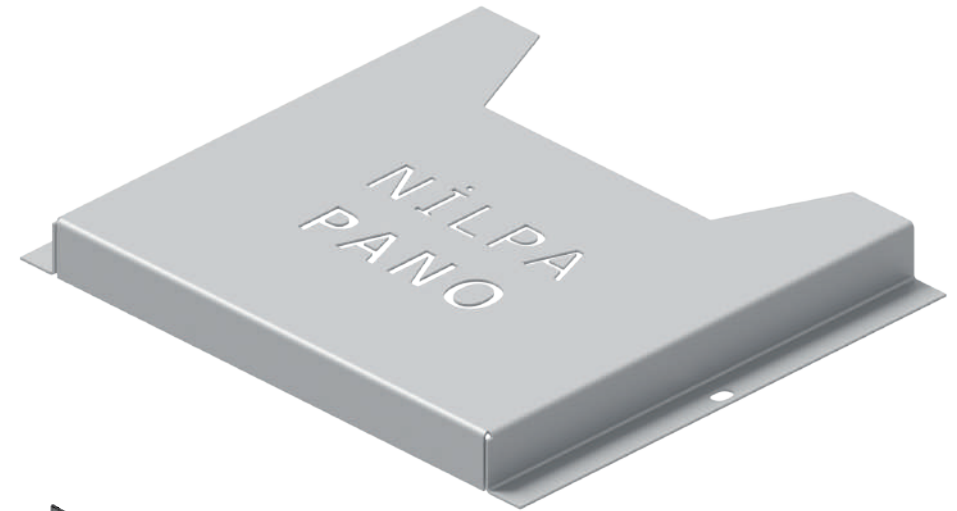


PRODUCT CODE	PRODUCT NAME	PRICE (\$)
MEN.105*105	105 x 105 VENT. FILTER	2 \$
MEN.150*150	150 x 150 VENT. FILTER	4 \$
MEN.250*250	250 x 250 VENT. FILTER	12 \$
MEN.325*325	325 x 325 VENT. FILTER	17 \$



DATA POCKETS

TECHNICAL SPECIFICATIONS	
Type	Floor standing/ Wall-mounted
Area of Use	Industrial
Protection Class	IP 55
Colors	RAL 7035
Paint	Electrostatic Powder
Plate Thickness	1 mm
Size	Optional



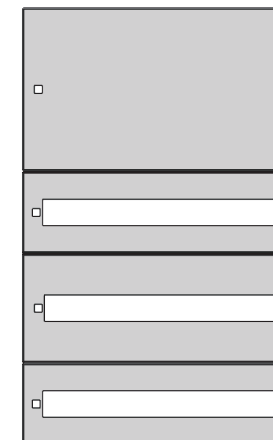
PRODUCT CODE	SIZE	PRICE (\$)
PC.1	175 x 200 x 25	12 \$
PC.2	225 x 230 x 25	18 \$

DEAD FRONT / MOUNTING PLATE

NILPA

PLEASE CONTACT OUR REPRESENTATIVE FOR PRICES

DEAD FRONT	
TECHNICAL SPECIFICATIONS	
Type	Floor standing/Wall-mounted
Area of Use	Industrial
Protection Class	IP 55
Colors	RAL 7035
Paint	Electrostatic Powder
Plate Thickness	1 mm
Size	Optional



MOUNTING PLATE	
TECHNICAL SPECIFICATIONS	
Type	Floor standing/Wall-mounted
Design	Modular
Area of Use	Industrial
Protection Class	IP 55
Plate Thickness	1,5 mm
Material	Galvanized steel
Size	Optional



RACK CABINET

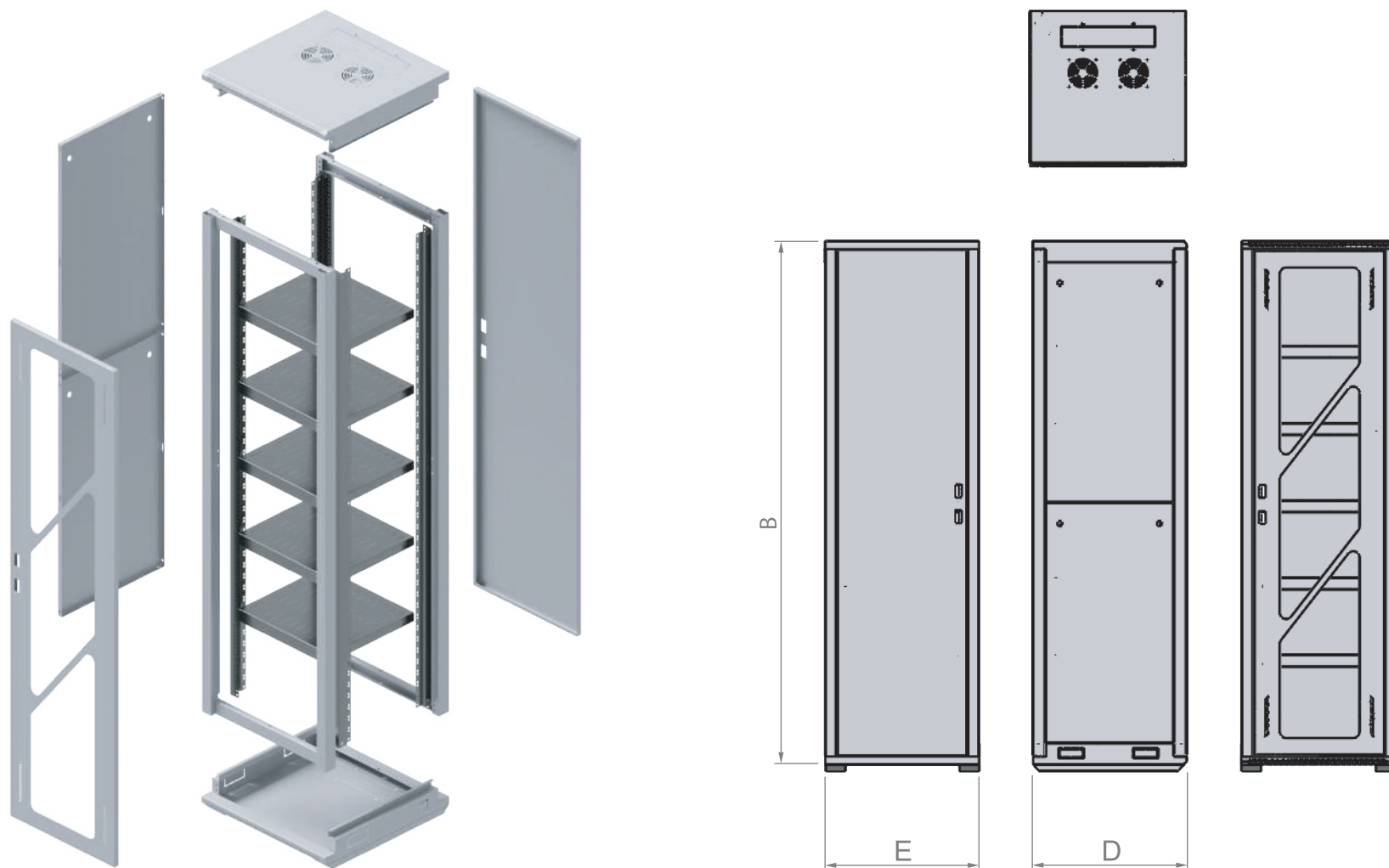
TECHNICAL SPECIFICATIONS

Type	Floor standing/Wall-mounted
Design	Modular
Area of Use	Industrial
Protection Class	IP 55
Paint	Electrostatic Powder
Material	Dkp - Galvanized Steel
Size	Optional

- It is designed as a modular system compatible with ready-to-assemble system.
- The doors and side panels have air vents.
- The opening direction of the door can be changed.
- The doors are fitted with 3 mm thick tempered glass.
- The door is installed with concealed hinges and an Espagnolette lock.
- Electrostatic Powder Coating is used.
- There is a cable pass-through with brush at the bottom of the housing.
- We provide assistance in selecting the right fan module to protect the product from overheating.



PLEASE CONTACT OUR REPRESENTATIVE FOR PRICES



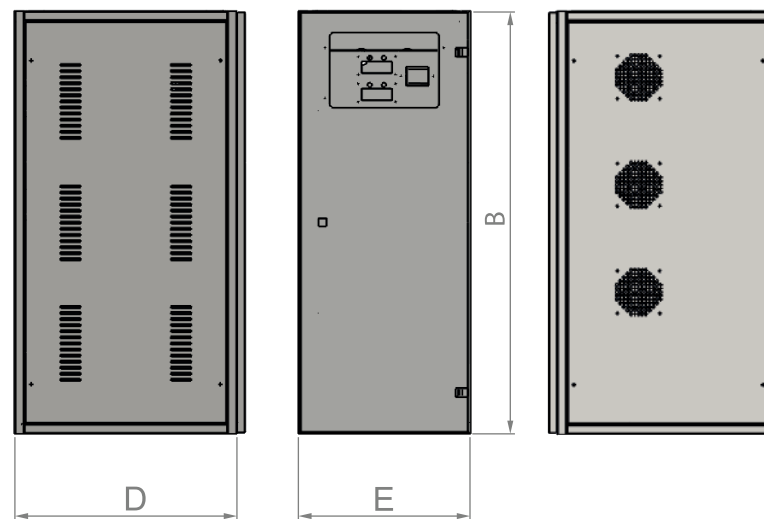
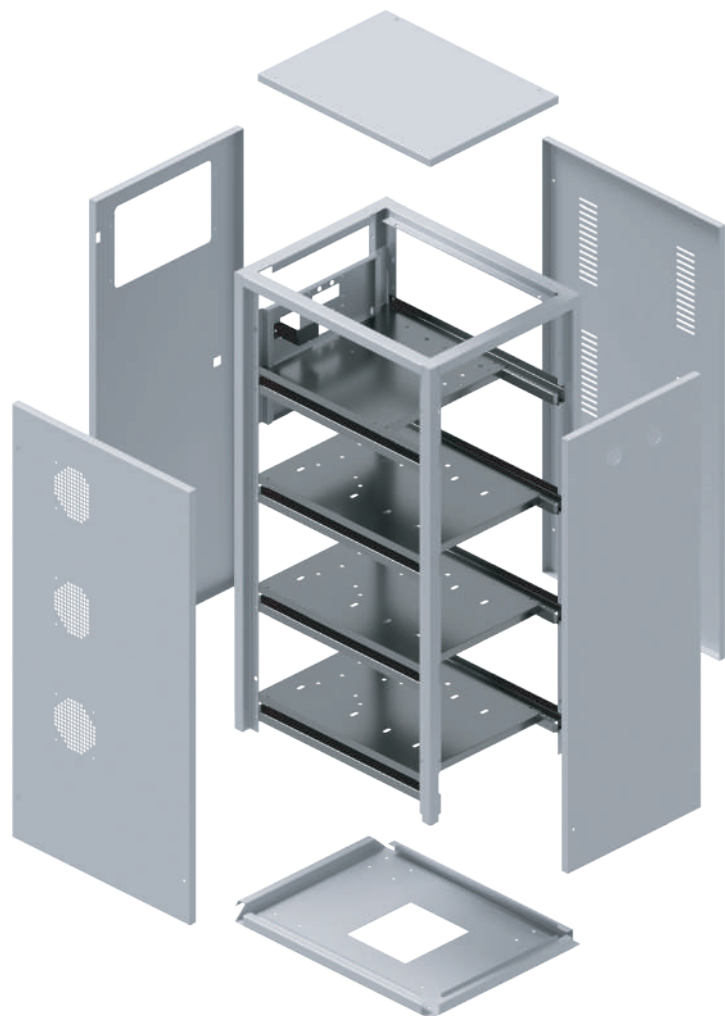
VOLTAGE REGULATOR ENCLOSURE

TECHNICAL SPECIFICATIONS	
Type	Floor standing / Wall-mounted
Design	Modular
Area of Use	Industrial
Protection Class	IP 55
Paint	Electrostatic Powder
Material	Dkp - Galvanized Steel
Size	Optional

- It is designed as a modular system compatible with ready-to-assemble system.
- Door is equipped with concealed hinges and a butterfly lock.
- The opening direction of the door can be changed.
- The doors and side panels have air vents.
- Depending on the customer's needs, the product is available for both indoor and outdoor use.
- Electrostatic Powder Coating is used.
- To ensure protection against moisture and dust, the doors have a polyurethane seal.
- There is a cable pass-through at the bottom of the housing.



PLEASE CONTACT OUR REPRESENTATIVE FOR PRICES



HEAVY-DUTY CABLE TRAYS

PLEASE CONTACT OUR REPRESENTATIVE FOR PRICES



H:40 HEAVY-DUTY CABLE TRAYS

PRODUCT CODE	PRODUCT DESCRIPTION	WIDTH x LENGHT x THICKNESS (mm)
KN.50*40*0,8	50*40*0,8 Cable tray	50 x 40 x 0,8
KN.70*40*0,8	70*40*0,8 Cable tray	70 x 40 x 0,8
KN.100*40*0,8	100*40*0,8 Cable tray	100 x 40 x 0,8
KN.120*40*0,8	120*40*0,8 Cable tray	120 x 40 x 0,8
KN.160*40*0,8	160*40*0,8 Cable tray	160 x 40 x 0,8
KN.200*40*0,8	200*40*0,8 Cable tray	200 x 40 x 0,8
KN.50*40*1	50*40*1 Cable tray	50 x 40 x 1
KN.70*40*1	70*40*1 Cable tray	70 x 40 x 1
KN.100*40*1	100*40*1 Cable tray	100 x 40 x 1
KN.120*40*1	120*40*1 Cable tray	120 x 40 x 1
KN.160*40*1	160*40*1 Cable tray	160 x 40 x 1
KN.200*40*1	200*40*1 Cable tray	200 x 40 x 1
KN.50*40*1,2	50*40*1,2 Cable tray	50 x 40 x 1,2
KN.70*40*1,2	70*40*1,2 Cable tray	70 x 40 x 1,2
KN.100*40*1,2	100*40*1,2 Cable tray	100 x 40 x 1,2
KN.120*40*1,2	120*40*1,2 Cable tray	120 x 40 x 1,2
KN.160*40*1,2	160*40*1,2 Cable tray	160 x 40 x 1,2
KN.200*40*1,2	200*40*1,2 Cable tray	200 x 40 x 1,2

PRODUCT CODE	PRODUCT DESCRIPTION	WIDTH x LENGHT x THICKNESS (mm)
KN.50*40*1,5	50*40*1,5 Cable tray	50 x 40 x 1,5
KN.70*40*1,5	70*40*1,5 Cable tray	70 x 40 x 1,5
KN.100*40*1,5	100*40*1,5 Cable tray	100 x 40 x 1,5
KN.120*40*1,5	120*40*1,5 Cable tray	120 x 40 x 1,5
KN.160*40*1,5	160*40*1,5 Cable tray	160 x 40 x 1,5
KN.200*40*1,5	200*40*1,5 Cable tray	200 x 40 x 1,5
KN.50*40*2	50*40*2 Cable tray	50 x 40 x 2
KN.70*40*2	70*40*2 Cable tray	70 x 40 x 2
KN.100*40*2	100*40*2 Cable tray	100 x 40 x 2
KN.120*40*2	120*40*2 Cable tray	120 x 40 x 2
KN.160*40*2	160*40*2 Cable tray	160 x 40 x 2
KN.200*40*2	200*40*2 Cable tray	200 x 40 x 2

- Standard length is 2500 mm.

H:50 HEAVY-DUTY CABLE TRAYS

PRODUCT CODE	PRODUCT DESCRIPTION	WIDTH x LENGHT x THICKNESS (mm)
KN.50*50*0,8	50*50*0,8 Cable tray	50 x 50 x 0,8
KN.70*50*0,8	70*50*0,8 Cable tray	70 x 50 x 0,8
KN.100*50*0,8	100*50*0,8 Cable tray	100 x 50 x 0,8
KN.120*50*0,8	120*50*0,8 Cable tray	120 x 50 x 0,8
KN.160*50*0,8	160*50*0,8 Cable tray	160 x 50 x 0,8
KN.200*50*0,8	200*50*0,8 Cable tray	200 x 50 x 0,8
KN.50*50*1	50*50*1 Cable tray	50 x 50 x 1
KN.70*50*1	70*50*1 Cable tray	70 x 50 x 1
KN.100*50*1	100*50*1 Cable tray	100 x 50 x 1
KN.120*50*1	120*50*1 Cable tray	120 x 50 x 1
KN.160*50*1	160*50*1 Cable tray	160 x 50 x 1
KN.200*50*1	200*50*1 Cable tray	200 x 50 x 1
KN.50*50*1,2	50*50*1,2 Cable tray	50 x 50 x 1,2
KN.70*50*1,2	70*50*1,2 Cable tray	70 x 50 x 1,2
KN.100*50*1,2	100*50*1,2 Cable tray	100 x 50 x 1,2
KN.120*50*1,2	120*50*1,2 Cable tray	120 x 50 x 1,2
KN.160*50*1,2	160*50*1,2 Cable tray	160 x 50 x 1,2
KN.200*50*1,2	200*50*1,2 Cable tray	200 x 50 x 1,2

PRODUCT CODE	PRODUCT DESCRIPTION	WIDTH x LENGHT x THICKNESS (mm)
KN.50*50*1,5	50*50*1,5 Cable tray	50 x 50 x 1,5
KN.70*50*1,5	70*50*1,5 Cable tray	70 x 50 x 1,5
KN.100*50*1,5	100*50*1,5 Cable tray	100 x 50 x 1,5
KN.120*50*1,5	120*50*1,5 Cable tray	120 x 50 x 1,5
KN.160*50*1,5	160*50*1,5 Cable tray	160 x 50 x 1,5
KN.200*50*1,5	200*50*1,5 Cable tray	200 x 50 x 1,5
KN.50*50*2	50*50*2 Cable tray	50 x 50 x 2
KN.70*50*2	70*50*2 Cable tray	70 x 50 x 2
KN.100*50*2	100*50*2 Cable tray	100 x 50 x 2
KN.120*50*2	120*50*2 Cable tray	120 x 50 x 2
KN.160*50*2	160*50*2 Cable tray	160 x 50 x 2
KN.200*50*2	200*50*2 Cable tray	200 x 50 x 2

- Standard length is 2500 mm.

H:60 HEAVY-DUTY CABLE TRAYS

NI LPA

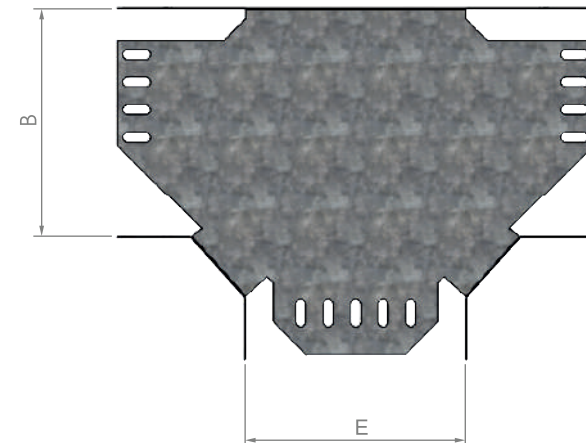
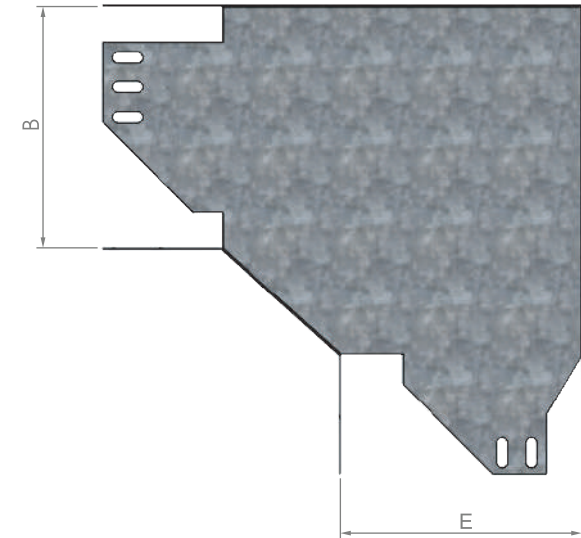
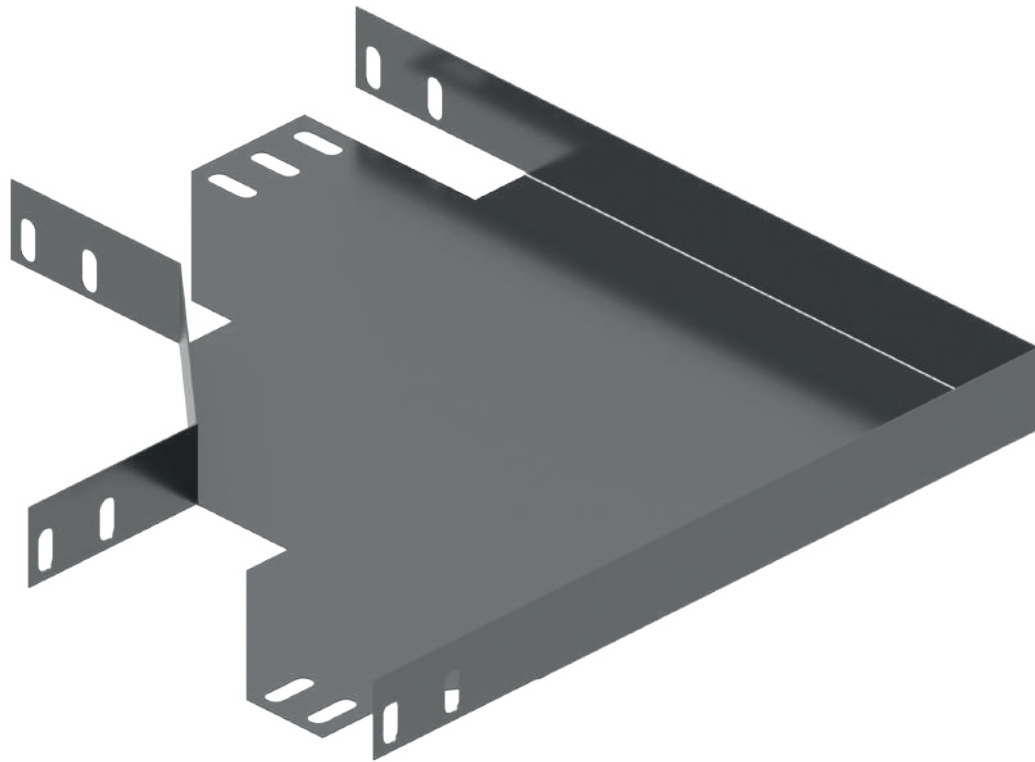
PRODUCT CODE	PRODUCT DESCRIPTION	WIDTH x LENGHT x THICKNESS (mm)
KN.50*60*0,8	50*60*0,8 Cable tray	50 x 60 x 0,8
KN.70*60*0,8	70*60*0,8 Cable tray	70 x 60 x 0,8
KN.100*60*0,8	100*60*0,8 Cable tray	100 x 60 x 0,8
KN.120*60*0,8	120*60*0,8 Cable tray	120 x 60 x 0,8
KN.160*60*0,8	160*60*0,8 Cable tray	160 x 60 x 0,8
KN.200*60*0,8	200*60*0,8 Cable tray	200 x 60 x 0,8
KN.50*60*1	50*60*1 Cable tray	50 x 60 x 1
KN.70*60*1	70*60*1 Cable tray	70 x 60 x 1
KN.100*60*1	100*60*1 Cable tray	100 x 60 x 1
KN.120*60*1	120*60*1 Cable tray	120 x 60 x 1
KN.160*60*1	160*60*1 Cable tray	160 x 60 x 1
KN.200*60*1	200*60*1 Cable tray	200 x 60 x 1
KN.50*60*1,2	50*60*1,2 Cable tray	50 x 60 x 1,2
KN.70*60*1,2	70*60*1,2 Cable tray	70 x 60 x 1,2
KN.100*60*1,2	100*60*1,2 Cable tray	100 x 60 x 1,2
KN.120*60*1,2	120*60*1,2 Cable tray	120 x 60 x 1,2
KN.160*60*1,2	160*60*1,2 Cable tray	160 x 60 x 1,2
KN.200*60*1,2	200*60*1,2 Cable tray	200 x 60 x 1,2

PRODUCT CODE	PRODUCT DESCRIPTION	WIDTH x LENGHT x THICKNESS (mm)
KN.50*60*1,5	50*60*1,5 Cable tray	50 x 60 x 1,5
KN.70*60*1,5	70*60*1,5 Cable tray	70 x 60 x 1,5
KN.100*60*1,5	100*60*1,5 Cable tray	100 x 60 x 1,5
KN.120*60*1,5	120*60*1,5 Cable tray	120 x 60 x 1,5
KN.160*60*1,5	160*60*1,5 Cable tray	160 x 60 x 1,5
KN.200*60*1,5	200*60*1,5 Cable tray	200 x 60 x 1,5
KN.50*60*2	50*60*2 Cable tray	50 x 60 x 2
KN.70*60*2	70*60*2 Cable tray	70 x 60 x 2
KN.100*60*2	100*60*2 Cable tray	100 x 60 x 2
KN.120*60*2	120*60*2 Cable tray	120 x 60 x 2
KN.160*60*2	160*60*2 Cable tray	160 x 60 x 2
KN.200*60*2	200*60*2 Cable tray	200 x 60 x 2

- Standard length is 2500 mm.

TRAY BENDS

PLEASE CONTACT OUR REPRESENTATIVE FOR PRICES



H:40 90-DEGREES / T-SHAPED / 4-WAY TRAY BENDS

H:40 90 DEGREES HORIZONTAL BENDS

PRODUCT CODE	PRODUCT DESCRIPTION	WIDTH x LENGHT x THICKNESS (mm)
YD.50*40*1,2	50*40*1,2 Horizontal Bends	50 x 40 x 1,2
YD.70*40*1,2	70*40*1,2 Horizontal Bends	70 x 40 x 1,2
YD.100*40*1,2	100*40*1,2 Horizontal Bends	100 x 40 x 1,2
YD.120*40*1,2	120*40*1,2 Horizontal Bends	120 x 40 x 1,2
YD.160*40*1,2	160*40*1,2 Horizontal Bends	160 x 40 x 1,2
YD.200*40*1,2	200*40*1,2 Horizontal Bends	200 x 40 x 1,2

H:40 T-SHAPED TRAY BENDS

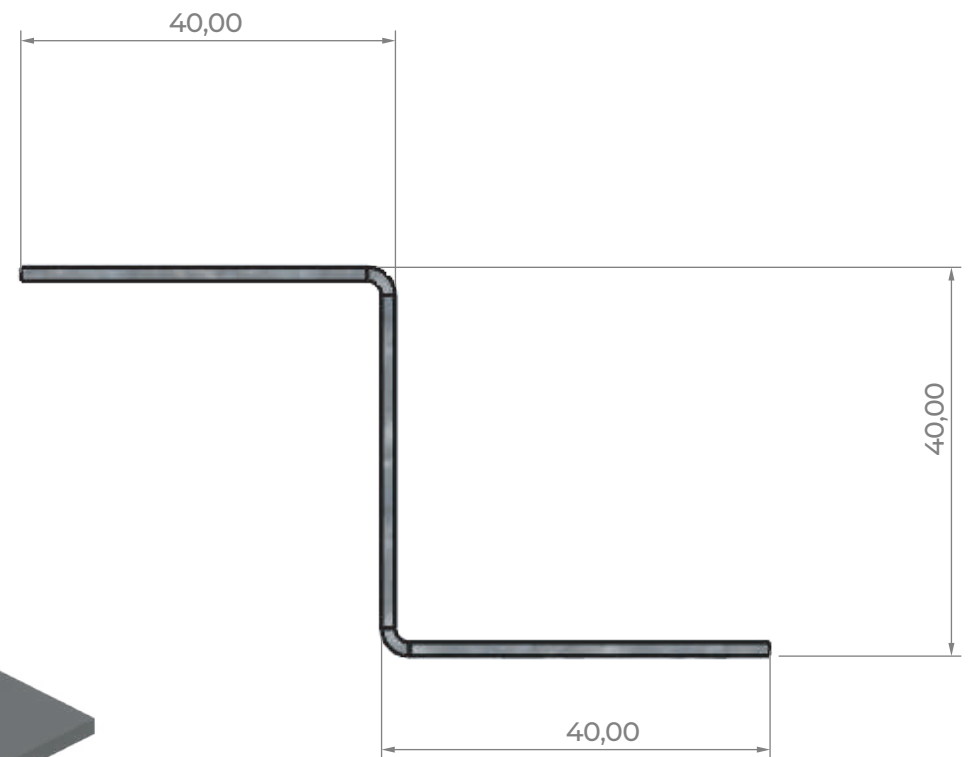
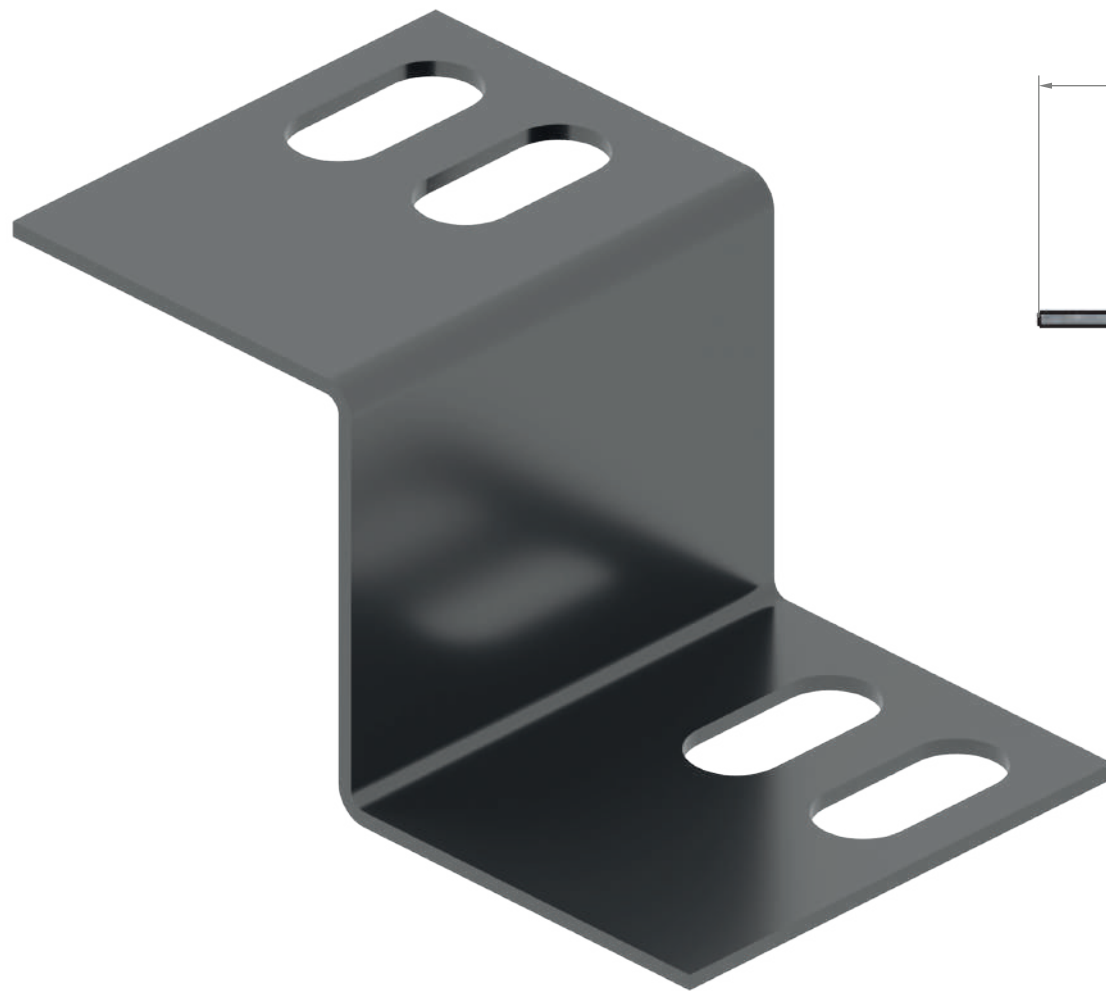
PRODUCT CODE	PRODUCT DESCRIPTION	WIDTH x LENGHT x THICKNESS (mm)
TD.50*40*1,2	50*40*1,2 T-Shaped Bends	50 x 40 x 1,2
TD.70*40*1,2	70*40*1,2 T-Shaped Bends	70 x 40 x 1,2
TD.100*40*1,2	100*40*1,2 T-Shaped Bends	100 x 40 x 1,2
TD.120*40*1,2	120*40*1,2 T-Shaped Bends	120 x 40 x 1,2
TD.160*40*1,2	160*40*1,2 T-Shaped Bends	160 x 40 x 1,2
TD.200*40*1,2	200*40*1,2 T-Shaped Bends	200 x 40 x 1,2

H:40 QUADRUPLE TRAY BENDS

PRODUCT CODE	PRODUCT DESCRIPTION	WIDTH x LENGHT x THICKNESS (mm)
DD.50*40*1,2	50*40*1,2 4-Way Bends	50 x 40 x 1,2
DD.70*40*1,2	70*40*1,2 4-Way Bends	70 x 40 x 1,2
DD.100*40*1,2	100*40*1,2 4-Way Bends	100 x 40 x 1,2
DD.120*40*1,2	120*40*1,2 4-Way Bends	120 x 40 x 1,2
DD.160*40*1,2	160*40*1,2 4-Way Bends	160 x 40 x 1,2
DD.200*40*1,2	200*40*1,2 4-Way Bends	200 x 40 x 1,2

TRAY REDUCER

PLEASE CONTACT OUR REPRESENTATIVE FOR PRICES



H:40 LEFT HAND/ STRAIGHT / RIGHT HAND REDUCER

H:40 LEFT HAND REDUCER

PRODUCT CODE	PRODUCT DESCRIPTION	WIDTH x LENGHT x THICKNESS (mm)
ZR.50*40*1,5	50*40*1,5 Z Left Hand Reducer	50 x 40 x 1,5
ZR.70*40*1,5	70*40*1,5 Z Left Hand Reducer	70 x 40 x 1,5
ZR.100*40*1,5	100*40*1,5 Z Left Hand Reducer	100 x 40 x 1,5
ZR.120*40*1,5	120*40*1,5 Z Left Hand Reducer	120 x 40 x 1,5
ZR.160*40*1,5	160*40*1,5 Z Left Hand Reducer	160 x 40 x 1,5
ZR.200*40*1,5	200*40*1,5 Z Left Hand Reducer	200 x 40 x 1,5

H:40 STRAIGHT REDUCER

PRODUCT CODE	PRODUCT DESCRIPTION	WIDTH x LENGHT x THICKNESS (mm)
ZO.50*40*1,5	50*40*1,5 Z Straight Reducer	50 x 40 x 1,5
ZO.70*40*1,5	70*40*1,5 Z Straight Reducer	70 x 40 x 1,5
ZO.100*40*1,5	100*40*1,5 Z Straight Reducer	100 x 40 x 1,5
ZO.120*40*1,5	120*40*1,5 Z Straight Reducer	120 x 40 x 1,5
ZO.160*40*1,5	160*40*1,5 Z Straight Reducer	160 x 40 x 1,5
ZO.200*40*1,5	200*40*1,5 Z Straight Reducer	200 x 40 x 1,5

H:40 RIGHT REDUCER

PRODUCT CODE	PRODUCT DESCRIPTION	WIDTH x LENGHT x THICKNESS (mm)
ZSR.50*40*1,5	50*40*1,5 Z Right Hand Reducer	50 x 40 x 1,5
ZSR.70*40*1,5	70*40*1,5 Z Right Hand Reducer	70 x 40 x 1,5
ZSR.100*40*1,5	100*40*1,5 Z Right Hand Reducer	100 x 40 x 1,5
ZSR.120*40*1,5	120*40*1,5 Z Right Hand Reducer	120 x 40 x 1,5
ZSR.160*40*1,5	160*40*1,5 Z Right Hand Reducer	160 x 40 x 1,5
ZSR.200*40*1,5	200*40*1,5 Z Right Hand Reducer	200 x 40 x 1,5

OUR CERTIFICATIONS

UYGUNLUK BEYANI ONAY SERTİFİKASI
DECLARATION OF CONFORMITY APPROVAL CERTIFICATE

Belirli Gerilim Sınırları İçin Tasarlanan
Elektrikli Ekipman İle İlgili Yönetmelik - 2014/35/AB
The Low Voltage Directive - 2014/35/EU

Belge Numarası Certificate Number	: CE 24-0005-01RD
Kuruluşun Adı Name of Company	: NİLAS ÇELİK SANAYİ TİCARET ANONİM ŞİRKETİ
Kuruluşun Adresi Address of Company	: SAĞLIK MAH. BOĞUKLU CAD. INTEGRAL ENDÜSTRİ BLOK NO:1A ERGENE / TEKİRDAĞ
Üretim Yeri Adı Name of Manufacture	: NİLAS ÇELİK SANAYİ TİCARET ANONİM ŞİRKETİ
Üretim Yeri Adresi Address of Manufacture	: SAĞLIK MAH. BOĞUKLU CAD. INTEGRAL ENDÜSTRİ BLOK NO:1A ERGENE / TEKİRDAĞ
Ürün Tanımı Product Description	: DAHLİ VE HARİCİ TİP BOŞ MAHAFAZALAR INTERNAL AND EXTERNAL TYPE EMPTY ENCLOSURES
Ticari Marka Trade Mark	: NILPA ELEKTRİK PANO SİSTEMLERİ
Model Model	: Haris-Dahlî Dâhil Tip Açık Panolar, Haris-Dahlî Dâhil Tip Tavak Mız Panolar, Haris-Dahlî Dâhil Tip Sıvı Panolar, Haris-Dahlî Tablo Sıvı Ahş Sıvı Üstü, Tavak Mız Tablo Sıvı Ahş Sıvı Üstü, Piyano Panolar, Haris Perdiz Sıvı Tablo, Haris Tablo Tavak Mız External-Internal Free Standing Type ADP Panels, External-Internal Free Standing Type Mız Panels with Part, External-Internal Free Standing Type Meter Panels, Curtain Sıvı Metal Panel (Recessed-Surface Mounted), Pan Mız Panel (Recessed-Surface Mounted), Piano Panel, External Curtain Sheet Metal Panel Mız with External Table
İlgili Yönetmelik(ler) Relevant Directiv(e)	: 2014/35/AB BELİRLİ GERİLİM SINIRLARI İÇİN TASARLANAN ELEKTRİKLI EKİPMAN İLE İLGİLİ YÖNETMELİK 2014/35/EU THE LOW VOLTAGE DIRECTIVE
İlgili Standartlar Relevant Standard(s)	: TB EN IEC 62208:2023
Rapor Numarası Report Number	: 23-2615-RD-N1-1
İlk Belgelendirme Tarihi First Certification Date	: 11.01.2024
Yeni Yayın Tarihi New Issue Date	: 11.01.2024
Geçerlilik Tarihi Validity Date	: 10.01.2025

Keskinlikle kullanılarak belge geçerliliğini kontrol edebilirsiniz.
(You can check the validity of the certificate by using QR code.)

11/01/2024
Ala ÇELİK ARSLANLI

LVT TEST LABORATUVARLARI LTD. ŞTİ. Saray Modern Konağı Saray Sarı 4. Cad. No:9 Saray Kışlası/ANKARA-TR 06121 013 25 -26 www.lvt.com.tr - info@lvt.com.tr

Lvt **CE**

UYGUNLUK BEYANI ONAY SERTİFİKASI
DECLARATION OF CONFORMITY APPROVAL CERTIFICATE

Belirli Gerilim Sınırları İçin Tasarlanan
Elektrikli Ekipman İle İlgili Yönetmelik - 2014/35/AB
The Low Voltage Directive - 2014/35/EU

Belge Numarası Certificate Number	: CE 24-0005-02RD
Kuruluşun Adı Name of Company	: NİLAS ÇELİK SANAYİ TİCARET ANONİM ŞİRKETİ
Kuruluşun Adresi Address of Company	: SAĞLIK MAH. BOĞUKLU CAD. INTEGRAL ENDÜSTRİ BLOK NO:1A ERGENE / TEKİRDAĞ
Üretim Yeri Adı Name of Manufacture	: NİLAS ÇELİK SANAYİ TİCARET ANONİM ŞİRKETİ
Üretim Yeri Adresi Address of Manufacture	: SAĞLIK MAH. BOĞUKLU CAD. INTEGRAL ENDÜSTRİ BLOK NO:1A ERGENE / TEKİRDAĞ
Ürün Tanımı Product Description	: AĞ ANAHTARLAMA DÜZENİ VE KONTROL DÜZENİ PANKOLARI LOW-VOLTAGE SWITCHGEAR and CONTROLGEAR ASSEMBLIES
Ticari Marka Trade Mark	: NILPA ELEKTRİK PANO SİSTEMLERİ
Model Model	: 4000 A ABB ACB GİRİŞLİ ALÇAK GERİLİM ANAHTARLAMA VE KONTROL DÜZENİ 4000A ABB WITH ACB INPUT LOW VOLTAGE SWITCHGEAR AND CONTROLGEAR
İlgili Yönetmelik(ler) Relevant Directiv(e)	: 2014/35/AB BELİRLİ GERİLİM SINIRLARI İÇİN TASARLANAN ELEKTRİKLI EKİPMAN İLE İLGİLİ YÖNETMELİK 2014/35/EU THE LOW VOLTAGE DIRECTIVE
İlgili Standartlar Relevant Standard(s)	: TB EN IEC 61439-1:2021/AC:2022, IEC 61439-1:2020/COR2:2023, TB EN IEC 61439-2:2021, IEC61439-2:2020
Rapor Numarası Report Number	: 23-2611-RD-N1-1
İlk Belgelendirme Tarihi First Certification Date	: 11.01.2024
Yeni Yayın Tarihi New Issue Date	: 11.01.2024
Geçerlilik Tarihi Validity Date	: 10.01.2025

Keskinlikle kullanılarak belge geçerliliğini kontrol edebilirsiniz.
(You can check the validity of the certificate by using QR code.)

11/01/2024
Ala ÇELİK ARSLANLI

LVT TEST LABORATUVARLARI LTD. ŞTİ. Saray Modern Konağı Saray Sarı 4. Cad. No:9 Saray Kışlası/ANKARA-TR 06121 013 25 -26 www.lvt.com.tr - info@lvt.com.tr

Lvt **CE**

CERTIFICATE

Bu Sertifika / This Certificate

NİLAS ÇELİK SANAYİ TİCARET ANONİM ŞİRKETİ

Finansman / Of the Company

Sağlık Mah. Soğuksu Cad. Integral Endüstri No: 1 A Ergene / Tekirdağ / Türkiye

Adreslerinde bulunan tesisleri KIOSCERT Belgelendirme tıradan denetlenmiş ve Kalite Yönetim Sistemini The facilities at the addresses have been audited by KIOSCERT and Quality Management System

ISO 9001:2015

Sartlarının aşağıdaki kapsamda uygulanmakta olduğu görülmüştür. It has been observed that the conditions are applied with in the following scope

Belgelendirme Kapsamı / Certification Scope

ELEKTRİK ANA DAĞITIM PANOLARLI BOŞ MAHAFAZALARI, TALİ PANOLARI MONTAJ İMALATI VE SATIŞI
INSTALLATION OF ELECTRICAL MAIN DISTRIBUTION PANELS, EMPTY ENCLOSURES SECONDARY PANELS, MANUFACTURE, AND SALE

Teknik Alan / Technical Area: IAF Kofid/AF Code: 19

Sertifika Numarası : QMS-24-170-NIL
Certificate Number
Sertifika İlk Yayın Tarihi : 17.01.2024
Certificate First Issue Date
Sertifika Yayımlama Tarihi : 17.01.2024
Certificate Release Date
Sertifika Geçerlilik Tarihi : 16.01.2025
Certificate Validity Date
Sertifika Revizyon No ve Tarihi / 00 / -
Certificate Revision Number and Date
Belgelendirme Periyodu Birlik Tarihi : 16.01.2027
Certification Period and Date

Onay / Approval

IAF **IAS** **KIOSCERT**

KIOSCERT Üyesi
KIOSCERT MEMBER

KIOSCERT

TEST SERTİFİKASI / TEST CERTIFICATE

Lvt
TEST LABORATUVARLARI LTD. ŞTİ.

No : C-23-2610-R0
Müşteri : NİLAS ÇELİK SANAYİ TİCARET ANONİM ŞİRKETİ
İmalatçı : NİLAS ÇELİK SANAYİ TİCARET ANONİM ŞİRKETİ
Ürün Tanımı : BOŞ MAHAZALAR
Teknik Veri : IP4X, IP66, IK10
Test Standardı : TS EN IEC 62208:2023
Konu : TEST SONUCU (DOLUMLU)

İşaretleme, Statik Yükler, Kaldırma Düzeni, Mekanik Çalışma, Metal Ek Parçaların Eksenel Yüklerinin Doğrulaması, Dış Mekanik Darbelere Karşı Koruma, Koruma Derecesi, Yalıtım Malzemelerinin Doğrulaması, Sınıf I Mahfazanın Açıkta Kalan İletken Parçaları ile Koruyucu Devre Arasında Etkin Toprak Sürekliliği, Mor Ötesi Işınmaya Karşı Dayanıklılık Deneyi (UV), Korozyona Karşı Dayanıklılık, Isıl Güç Kaybı Yeteneği

Uygulanan Test(ler)

Test Rapor Numarası : 23-2610-R0-N0-1
Sertifika Tarihi : 09.01.2023

Deney Sorumlusu : Cem AKDOĞAN
Bölüm Müdürü : Ata Gürül ARSLANLI

Sertifika doğruluğunu kontrol etmek için QR kodunu kullanın. You can check the certificate status via QR code.

Lvt
TEST LABORATUVARLARI LTD. ŞTİ.

www.lvt.com.tr

Sıray Modern Karateller San. Bl. 4. Cad. No: 8 K.Katını / Ankara - TÜRKİYE
Tel: +90 312 818 19 25 - 26 • Fax: +90 312 818 13 27 • e-mail: info@lvt.com.tr

FRT.88 / Rev01 / 1019

TEST SERTİFİKASI / TEST CERTIFICATE

Lvt
TEST LABORATUVARLARI LTD. ŞTİ.

No : C-23-2611-R0
Müşteri : NİLAS ÇELİK SANAYİ TİCARET ANONİM ŞİRKETİ
İmalatçı : NİLAS ÇELİK SANAYİ TİCARET ANONİM ŞİRKETİ
Ürün Tanımı : 4000 A ACB GİRİŞLİ ALÇAK GERİLİM ANAHTARLAMA ve KONTROL DÜZENİ
Marka : NİLPA ELEKTRİK PANO SİSTEMLERİ

Teknik Veri : I_n: 4000 A, U_c: 1000 V, U_{imp}: 12.0 kV, I_{sc}: 65 kA (Ana Bara), I_{sc}: 40 kA (Toprak Barası), I_{sc}: 65 kA (ABB 4000 A ACB), I_{sc}: 39 kA (ABB 4000 A ACB), Form 4b

Test Standardı : TS EN IEC 61439-1:2021 + AC:2022, TS EN IEC 61439-2:2021
Konu : TEST SONUCU (DOLUMLU)

Uygulanan Test(ler)

Test Rapor Numarası : 23-2611-R0-N1-1
Sertifika Tarihi : 09.01.2024
Deney Sorumlusu : Cem AKDOĞAN
Bölüm Müdürü : Ata Gürül ARSLANLI

Sertifika doğruluğunu kontrol etmek için QR kodunu kullanın. You can check the certificate status via QR code.

Lvt
TEST LABORATUVARLARI LTD. ŞTİ.

www.lvt.com.tr

Sıray Modern Karateller San. Bl. 4. Cad. No: 8 K.Katını / Ankara - TÜRKİYE
Tel: +90 312 818 19 25 - 26 • Fax: +90 312 818 13 27 • e-mail: info@lvt.com.tr

FRT.88 / Rev01 / 1019

TÜRK PATENT
MARKA TESCİL BELGESİ
No: 2023 032725 - Ticaret - Hizmet

NİLPA
Elektrik Pano Sistemleri

Marka Sahibi
NİLAS ÇELİK SANAYİ TİCARET ANONİM ŞİRKETİ
Mal / Hizmet Sınıfları
06, 09, 35, 37, 42

Bu marka, 6769 sayılı Sınai Mülkiyet Kanunu kapsamında, 15.03.2023 tarihinden itibaren 10 yıl süreyle korunmak üzere, 10.07.2024 tarihinde tescil edilmiştir.

Prof. Dr. M. Zeki DURAK
Kurum Başkanı

NILPA

Enclosure, Panel and Cabinet Systems



Sağlık District Soğuksu Street
No 1 / Al Ergene / Tekirdağ



+90 282 686 77 33
+90 532 305 37 59



info@nilpapano.com



www.nilpapano.com

