

NILPA

Enclosure, Panel and Cabinet Systems



Saęlık Mah. Soęuksu Cad.
No: 1 / A1 Ergene / Tekirdaę



+90 282 686 77 33
+90 532 305 37 59



info@nilpapano.com



www.nilpapano.com



The logo for NILPA features the letters 'N', 'I', 'L', 'P', and 'A' in a bold, sans-serif font. The 'N', 'I', and 'L' are dark grey, while the 'P' and 'A' are a vibrant green. The letter 'i' in 'NIL' has a small green square above it. The letter 'A' has a small dark grey square below it.

NILPA

Enclosure, Panel and Cabinet Systems

www.nilpapano.com

ABOUT US

Nilas Çelik A.Ş. was established in 2022 in Ergen, Tekirdağ Province, in accordance with our goal to enter the market with our own brand and take our place as a manufacturer in the sector in which we have been operating since **2003**. Our main objective is to organize production processes according to quality principles and to raise the awareness of our employees.

We manufacture our products in accordance with ISO 9001, ISO 14001 and OHSAS 18001 quality, environmental and occupational health and safety management systems. Our greatest value is to win the trust of our customers and establish long-term business relationships. In line with our goal to become a leading brand in the industry, we keep a close eye on the latest developments and innovations through our research and development department.

MISSION

Based on the principles of high quality, we prioritize ensuring a high level of product quality for our customers and go further and further in this direction by aiming for error-free production. Our main mission is to offer our customers the most innovative solutions by closely following the latest trends and technological developments in the world.

VISION

Our vision is to become an internationally competitive, leading, reliable and sought-after brand in the power industry.





**THANKS FOR
CHOOSING US!**

WHY CHOOSE US?



Wide range of products

We offer the ability to customize your orders with a wide range of products tailored specifically to your needs, allowing you to meet all your needs in one place.



Customer satisfaction

We prioritize customer satisfaction and ensure timely and smooth delivery of your orders without compromising on product quality.



Experienced staff

Our company, which always prioritizes the needs of our customers, employs experienced and qualified employees who are constantly upgrading their qualifications.



Innovative technology

We offer you the most innovative solutions thanks to our state-of-the-art equipment that meets the latest technological trends.



Quality assured products

We provide our customers with technical support in the various applications of our type-tested panels, which we produce in accordance with TS EN IEC 62208: 2023.

INDEX

N SERIES - FLOOR STANDING MODULAR ENCLOSURES

FLOOR STANDING MODULAR ENCLOSURE WITH MOUNTING PLATE	1
FLOOR STANDING MODULAR ENCLOSURE WITH DEAD FRONT	3
DOUBLE-DOOR FLOOR STANDING MODULAR ENCLOSURE WITH MOUNTING PLATE	5
MODULAR SYSTEM ENCLOSURE FRAME	7
FLOOR STANDING MODULAR ENCLOSURE FRAME WITH MOUNTING PLATE	9
FLOOR STANDING MODULAR METER BOX	11

I SERIES – OUTDOOR TYPE ENCLOSURE

FLOOR STANDING OUTDOOR TYPE ENCLOSURE WITH MOUNTING PLATE	13
FLOOR STANDING OUTDOOR TYPE ENCLOSURE WITH DEAD FRONT	15
WALL MOUNTED OUTDOOR TYPE ENCLOSURE WITH MOUNTING PLATE	17
WALL MOUNTED OUTDOOR TYPE ENCLOSURE WITH DEAD FRONT	19

L SERIES – WALL MOUNTED ENCLOSURE

SURFACE MOUNTED ENCLOSURE WITH MOUNTING PLATE	21
SURFACE MOUNTED ENCLOSURE WITH DEAD FRONT	23
SURFACE MOUNTED SEMI-MODULAR ENCLOSURE WITH DEAD FRONT	25
RECESSED ENCLOSURE WITH MOUNTING PLATE	27
RECESSED ENCLOSURE WITH DEAD FRONT	29
SURFACE MOUNTED DISTRIBUTION + LOW VOLTAGE BOARD	31
RECESSED DISTRIBUTION + LOW VOLTAGE BOARD	33

P SERIES- CONTROL PANEL

DESK CONSOLE	35
PULT-TYPE CONSOLE	37
KIOSK ENCLOSURE	39





A SERIES – CUSTOM ENCLOSURES

ELEVATOR CONTROL BOARDS	41
ENCLOSURE FOR CONSTRUCTION SITE INSTALLATION	43
MEDIUM-VOLTAGE ENCLOSURE	45
SUBSTATION KIOSKS	47

S SERIES – STAINLESS-STEEL ENCLOSURES

STAINLESS-STEEL ENCLOSURE WITH MOUNTING PLATE	49
FLOOR STANDING SEMI-MODULAR STAINLESS-STEEL ENCLOSURE WITH MOUNTING PLATE	51

B SERIES – ABS ENCLOSURES

ABS ENCLOSURE WITH OPAQUE DOOR AND DEAD FRONT	53
ABS ENCLOSURE WITH CLEAR DOOR AND DEAD FRONT	54
ABS ENCLOSURE WITH OPAQUE DOOR	55
ABS ENCLOSURE WITH CLEAR DOOR	56

C SERIES - ADDITIONAL PRODUCTS

ROOF-TYPE VENTILATION FAN	57
VENTILATION FILTERS	58
DATA POCKETS	59
DEAD FRONT / MOUNTING PLATE	60

R SERIES – VOLTAGE REGULATOR ENCLOSURE AND RACK CABINET

RACK CABINET	61
VOLTAGE REGULATOR ENCLOSURE	63

K SERIES - CABLE TRAYS

HEAVY-DUTY CABLE TRAYS	65
TRAY BENDS	69
TRAY REDUCER	71

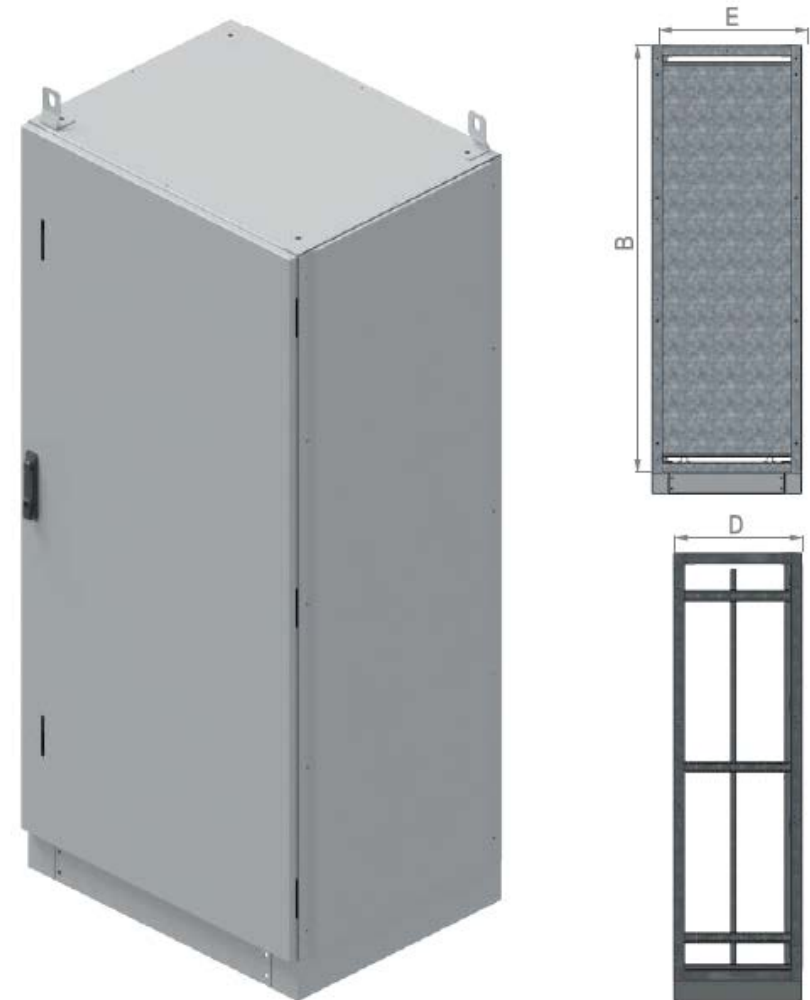
OUR CERTIFICATIONS

73

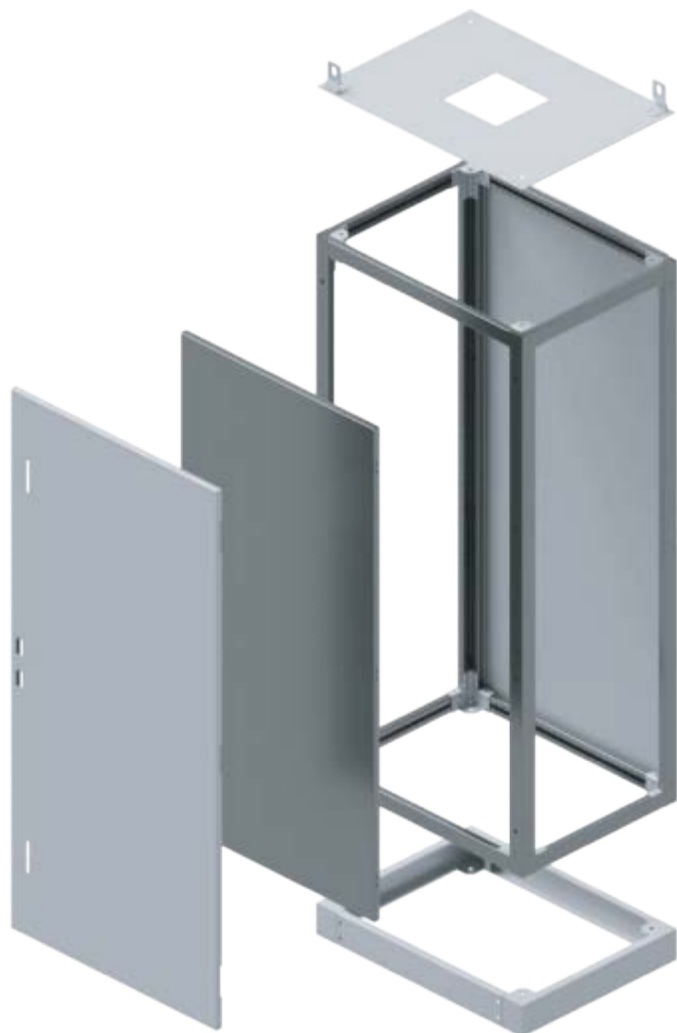
FLOOR STANDING MODULAR ENCLOSURE WITH MOUNTING PLATE

TECHNICAL SPECIFICATIONS	
Type	Floor Standing
Design	Modular
Area of Use	Industrial
Protection Class	IP 55
Colors	RAL 7035
Paint	Electrostatic Powder Coating
Depth	400-600 mm
Width	400-800 mm
Height	1600-2000 mm
Door	Single Door
Option	with Mounting Plate

- The base is not included in the height measurements.
- When placing an order, the location of the openings on the doors for air filters, energy analyzers and alarms must be specified.
- Depending on preference, doors can be fitted with glass.
- The door is installed with concealed hinges and an Espagnolette lock.
- The rear and side plates have a similar design.
- The opening direction of the door can be changed.
- To ensure protection against moisture and dust, the doors have a polyurethane seal.
- Front and rear doors are available.
- Thanks to the modular design, enclosures can be connected in rows.



PLEASE CONTACT OUR REPRESENTATIVE FOR PRICES

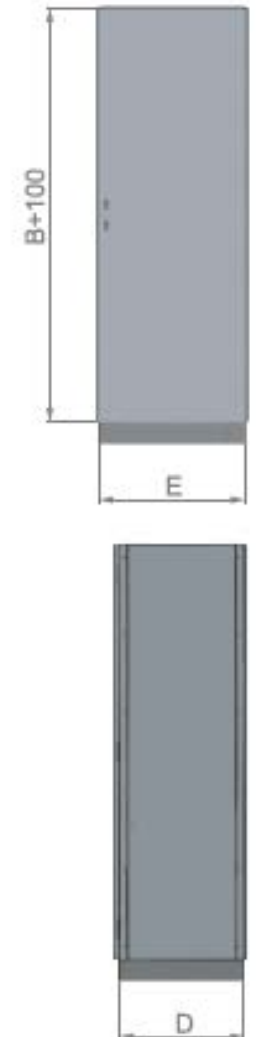


PRODUCT CODE	WIDTH x LENGTH x DEPTH (cm)	MOUNTING PLATE (mm)
NP.MD.TS.40*160*40	40 x 160 x 40	348 x 1350
NP.MD.TS.50*160*40	50 x 160 x 40	448 x 1350
NP.MD.TS.60*160*40	60 x 160 x 40	548 x 1350
NP.MD.TS.40*160*50	40 x 160 x 50	348 x 1350
NP.MD.TS.50*160*50	50 x 160 x 50	448 x 1350
NP.MD.TS.60*160*50	60 x 160 x 50	548 x 1350
NP.MD.TS.40*180*40	40 x 180 x 40	348 x 1650
NP.MD.TS.50*180*40	50 x 180 x 40	448 x 1650
NP.MD.TS.60*180*40	60 x 180 x 40	548 x 1650
NP.MD.TS.40*180*50	40 x 180 x 50	348 x 1650
NP.MD.TS.50*180*50	50 x 180 x 50	448 x 1650
NP.MD.TS.60*180*50	60 x 180 x 50	548 x 1650
NP.MD.TS.70*180*50	70 x 180 x 50	648 x 1650
NP.MD.TS.50*200*40	50 x 200 x 40	448 x 1850
NP.MD.TS.60*200*40	60 x 200 x 40	548 x 1850
NP.MD.TS.70*200*40	70 x 200 x 40	648 x 1850
NP.MD.TS.50*200*50	50 x 200 x 50	448 x 1850
NP.MD.TS.60*200*50	60 x 200 x 50	548 x 1850
NP.MD.TS.70*200*50	70 x 200 x 50	648 x 1850
NP.MD.TS.80*200*50	80 x 200 x 50	748 x 1850
NP.MD.TS.70*200*60	70 x 200 x 60	648 x 1850
NP.MD.TS.80*200*60	80 x 200 x 60	748 x 1850

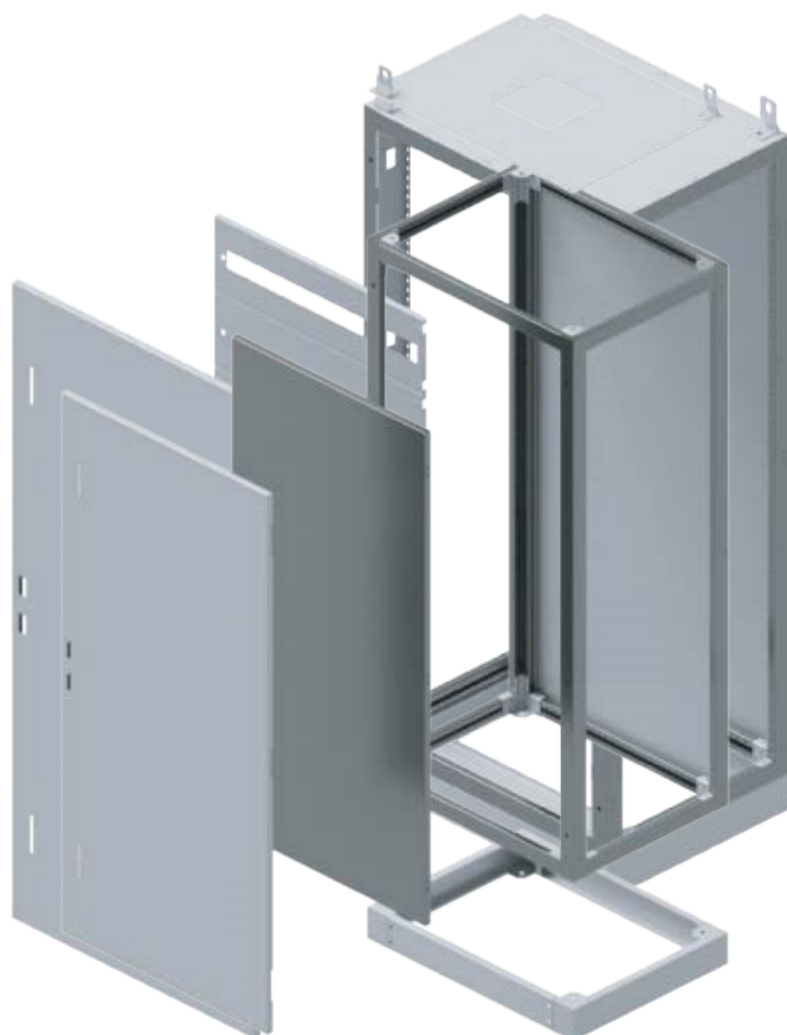
FLOOR STANDING MODULAR ENCLOSURE WITH DEAD FRONT

TECHNICAL SPECIFICATIONS	
Type	Floor Standing
Design	Modular
Area of Use	Industrial
Protection Class	IP 55
Colors	RAL 7035
Paint	Electrostatic Powder Coating
Depth	400-600 mm
Width	400-800 mm
Height	1600-2000 mm
Door	Single Door
Option	with Dead Front

- The base is not included in the height measurements.
- When placing an order, the location of the openings on the doors for air filters, energy analyzers and alarms must be specified.
- With the modular hinged dead front system, it is possible to modify the dead front assembly.
- The design of the dead front can be modified, the dimensions of the dead front and internal cutouts must be specified when placing the order.
- The number of automats indicated in the table refers to one row.
- Front and rear doors are available. The opening direction of the front and rear doors can be changed. The polyurethane seal, Espagnolette lock and concealed hinges protect the doors from moisture and dust.
- Depending on preference, the doors can be fitted with glass.
- Thanks to the modular design, enclosures can be connected in rows.



PLEASE CONTACT OUR REPRESENTATIVE FOR PRICES.



PRODUCT CODE	WIDTH x HEIGHT x DEPTH (cm)	NUMBER OF AUTOMATS
NP.MD.PS.40*160*40	40 x 160 x 40	14
NP.MD.PS.50*160*40	50 x 160 x 40	19
NP.MD.PS.60*160*40	60 x 160 x 40	25
NP.MD.PS.40*160*50	40 x 160 x 50	14
NP.MD.PS.50*160*50	50 x 160 x 50	19
NP.MD.PS.60*160*50	60 x 160 x 50	25
NP.MD.PS.40*180*40	40 x 180 x 40	14
NP.MD.PS.50*180*40	50 x 180 x 40	19
NP.MD.PS.60*180*40	60 x 180 x 40	25
NP.MD.PS.40*180*50	40 x 180 x 50	14
NP.MD.PS.50*180*50	50 x 180 x 50	19
NP.MD.PS.60*180*50	60 x 180 x 50	25
NP.MD.PS.70*180*50	70 x 180 x 50	29
NP.MD.PS.50*200*40	50 x 200 x 40	19
NP.MD.PS.60*200*40	60 x 200 x 40	25
NP.MD.PS.70*200*40	70 x 200 x 40	29
NP.MD.PS.50*200*50	50 x 200 x 50	19
NP.MD.PS.60*200*50	60 x 200 x 50	25
NP.MD.PS.70*200*50	70 x 200 x 50	29
NP.MD.PS.80*200*50	80 x 200 x 50	35
NP.MD.PS.70*200*60	70 x 200 x 60	29
NP.MD.PS.80*200*60	80 x 200 x 60	35

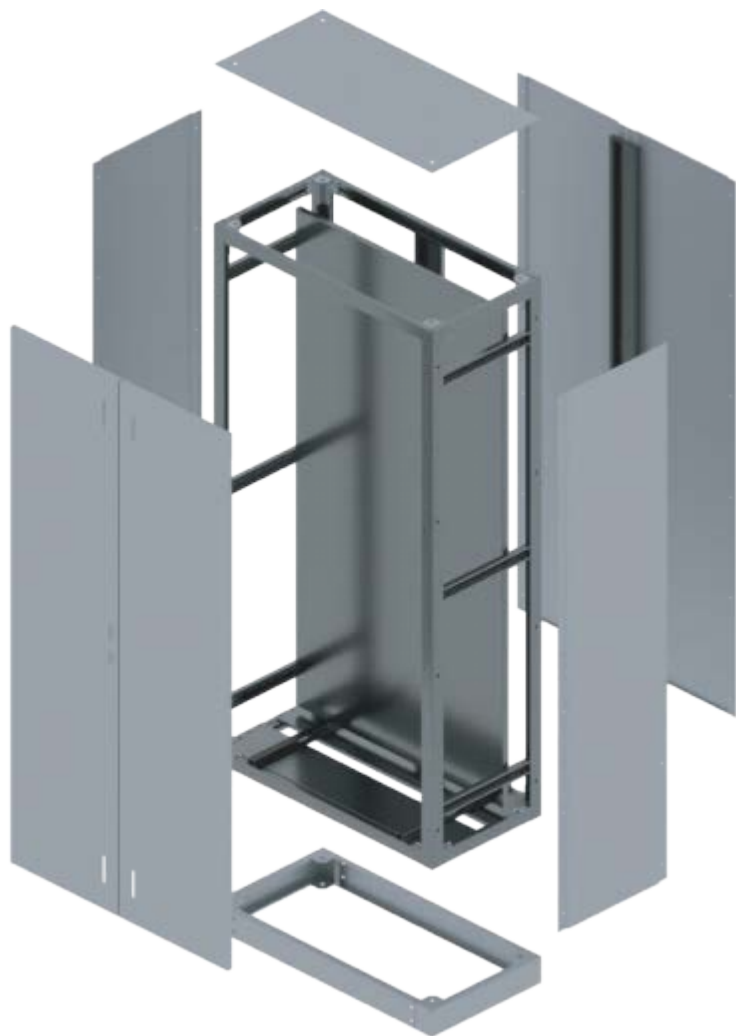
DOUBLE-DOOR FLOOR STANDING MODULAR ENCLOSURE WITH MOUNTING PLATE

TECHNICAL SPECIFICATIONS	
Type	Floor standing
Design	Modular
Area of Use	Industrial
Protection Class	IP 55
Colors	RAL 7035
Paint	Electrostatic Powder Coating
Depth	400-500 mm
Width	1200 mm
Height	1600-2000 mm
Door	Double door
Option	With Mounting Plate

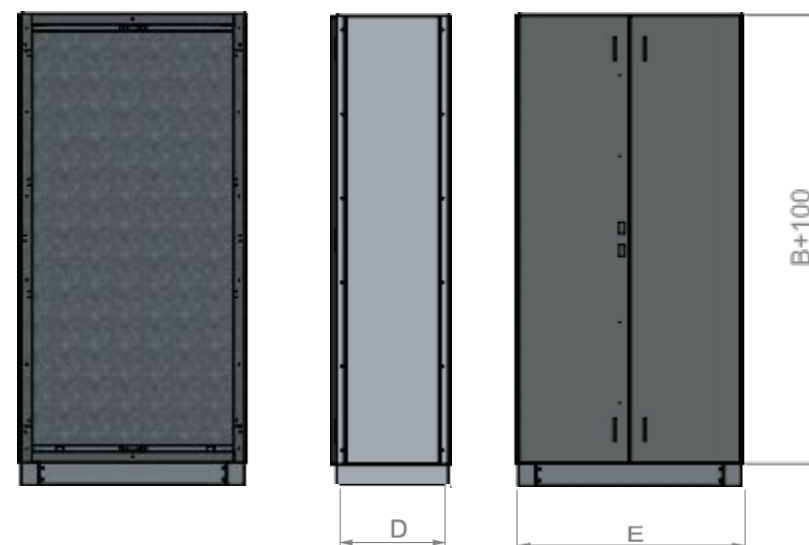
- The base is not included in the height measurements.
- The opening direction of the door can be changed.
- The door is installed with concealed hinges and an Espagnolette lock.
- The rear and side plates have a similar design.
- When placing an order, the location of the openings on the doors for air filters, energy analyzers and alarms must be specified.
- Depending on preference, doors can be fitted with glass.
- Thanks to the modular design, enclosures can be connected in rows.
- To ensure protection against moisture and dust, the doors have a polyurethane seal.
- Front and rear doors are available.



PLEASE CONTACT OUR REPRESENTATIVE FOR PRICES.



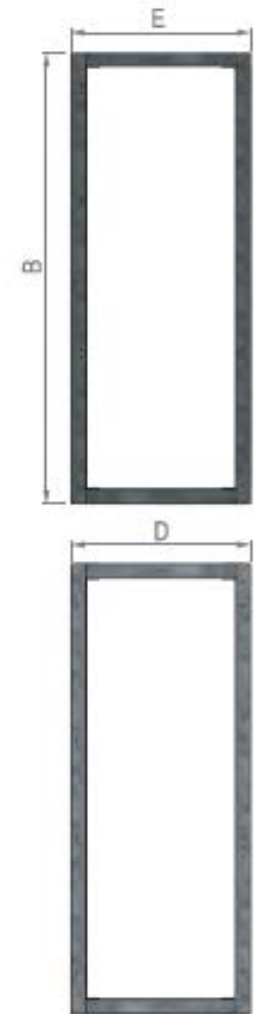
PRODUCT CODE	WIDTH x HEIGHT x DEPTH (cm)	MOUNTING PLATE(MM)
NP.MD.TSÇ.120*160*40	120 x 160 x 40	1048 x 1350
NP.MD.TSÇ.120*180*40	120 x 180 x 40	1048 x 1550
NP.MD.TSÇ.120*200*40	120 x 200 x 40	1048 x 1850
NP.MD.TSÇ.120*160*50	120 x 160 x 50	1048 x 1350
NP.MD.TSÇ.120*180*50	120 x 180 x 50	1048 x 1550
NP.MD.TSÇ.120*200*50	120 x 200 x 50	1048 x 1850



MODULAR SYSTEM ENCLOSURE FRAME

TECHNICAL SPECIFICATIONS	
Type	Floor standing
Design	Modular
Plate Thickness	1,5 mm
Type of material	Galvanized steel
Depth	400-600 mm
Width	400-800 mm
Height	1600-2000 mm

- The base is not included in the height measurements.
- Thanks to the fully modular, seamless design, frame can be modified.



PLEASE CONTACT OUR REPRESENTATIVE FOR PRICES

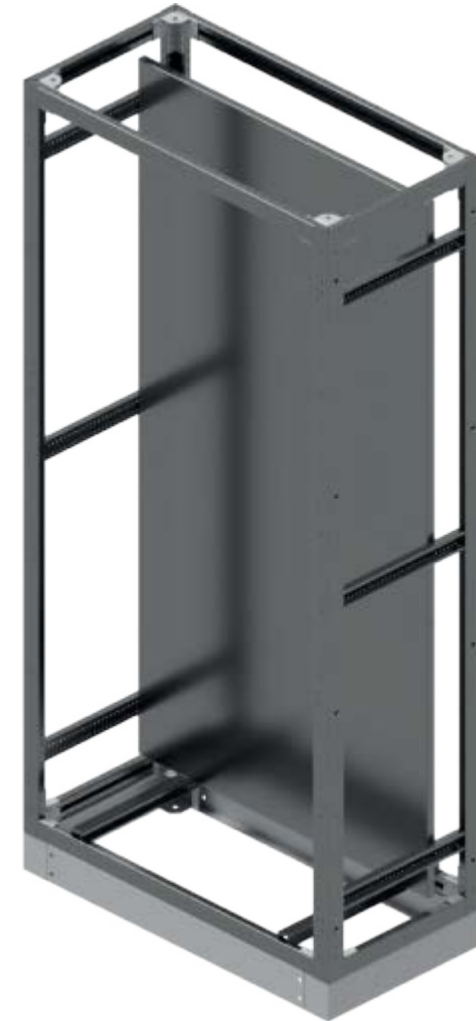


PRODUCT CODE	WIDTH x HEIGHT x DEPTH (cm)
NP.MD.K.40*160*40	40 x 160 x 40
NP.MD.K.50*160*40	50 x 160 x 40
NP.MD.K.60*160*40	60 x 160 x 40
NP.MD.K.40*160*50	40 x 160 x 50
NP.MD.K.50*160*50	50 x 160 x 50
NP.MD.K.60*160*50	60 x 160 x 50
NP.MD.K.40*180*40	40 x 180 x 40
NP.MD.K.50*180*40	50 x 180 x 40
NP.MD.K.60*180*40	60 x 180 x 40
NP.MD.K.40*180*50	40 x 180 x 50
NP.MD.K.50*180*50	50 x 180 x 50
NP.MD.K.60*180*50	60 x 180 x 50
NP.MD.K.70*180*50	70 x 180 x 50
NP.MD.K.50*200*40	50 x 200 x 40
NP.MD.K.60*200*40	60 x 200 x 40
NP.MD.K.70*200*40	70 x 200 x 40
NP.MD.K.50*200*50	50 x 200 x 50
NP.MD.K.60*200*50	60 x 200 x 50
NP.MD.K.70*200*50	70 x 200 x 50
NP.MD.K.80*200*50	80 x 200 x 50
NP.MD.K.70*200*60	70 x 200 x 60
NP.MD.K.80*200*60	80 x 200 x 60

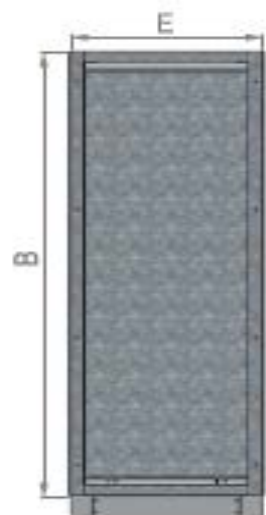
FLOOR STANDING MODULAR ENCLOSURE FRAME WITH MOUNTING PLATE

TECHNICAL SPECIFICATIONS	
Type	Floor standing
Design	Modular
Plate Thickness	1,5 mm
Type of material	Galvanized steel
Depth	400-600 mm
Width	400-800 mm
Height	1600-2000 mm

- The base is not included in the height measurements.
- Thanks to the fully modular, seamless design, frame can be modified.



PLEASE CONTACT OUR REPRESENTATIVE FOR PRICE

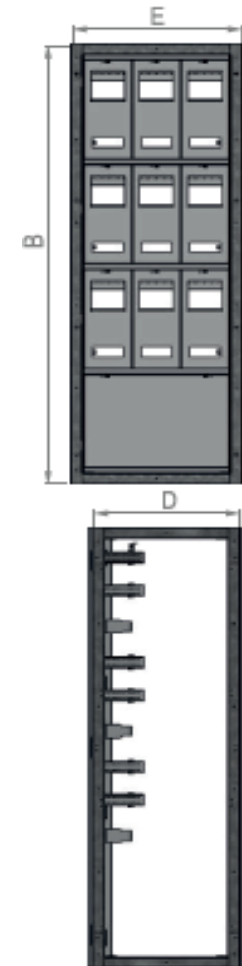


PRODUCT CODE	WIDTH x HEIGHT x DEPTH (cm)	With Mounting Plate (mm)
NP.MD.K.TS.40*160*40	40 x 160 x 40	348 x 1450
NP.MD.K.TS.50*160*40	50 x 160 x 40	448 x 1450
NP.MD.K.TS.60*160*40	60 x 160 x 40	548 x 1450
NP.MD.K.TS.40*160*50	40 x 160 x 50	348 x 1450
NP.MD.K.TS.50*160*50	50 x 160 x 50	448 x 1450
NP.MD.K.TS.60*160*50	60 x 160 x 50	548 x 1450
NP.MD.K.TS.40*180*40	40 x 180 x 40	348 x 1650
NP.MD.K.TS.50*180*40	50 x 180 x 40	448 x 1650
NP.MD.K.TS.60*180*40	60 x 180 x 40	548 x 1650
NP.MD.K.TS.40*180*50	40 x 180 x 50	348 x 1650
NP.MD.K.TS.50*180*50	50 x 180 x 50	448 x 1650
NP.MD.K.TS.60*180*50	60 x 180 x 50	548 x 1650
NP.MD.K.TS.70*180*50	70 x 180 x 50	648 x 1650
NP.MD.K.TS.50*200*40	50 x 200 x 40	448 x 1850
NP.MD.K.TS.60*200*40	60 x 200 x 40	548 x 1850
NP.MD.K.TS.70*200*40	70 x 200 x 40	648 x 1850
NP.MD.K.TS.50*200*50	50 x 200 x 50	448 x 1850
NP.MD.K.TS.60*200*50	60 x 200 x 50	548 x 1850
NP.MD.K.TS.70*200*50	70 x 200 x 50	648 x 1850
NP.MD.K.TS.80*200*50	80 x 200 x 50	748 x 1850
NP.MD.K.TS.70*200*60	70 x 200 x 60	648 x 1850
NP.MD.K.TS.80*200*60	80 x 200 x 60	748 x 1850

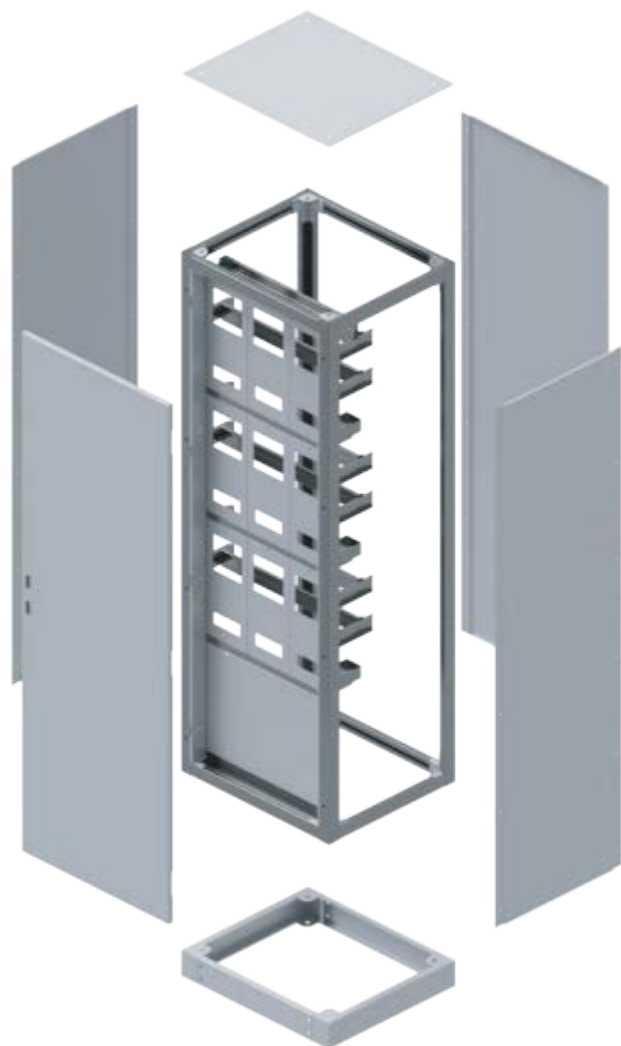
FLOOR STANDING MODULAR METER BOX

TECHNICAL SPECIFICATIONS	
Type	Floor standing
Design	Modular
Area of Use	Industrial
Protection Class	IP 55
Colors	RAL 7035
Paint	Electrostatic Powder Coating
Depth	400-500 mm
Width	400-900 mm
Height	1600-2000 mm
Door	Single-Double door
Option	With Dead Front

- The opening direction of the door can be changed.
- The door is installed with concealed hinges and an Espagnolette lock.
- The rear and side plates have a similar design.
- When placing an order, the location of the openings on the doors for air filters, energy analyzers and alarms must be specified.
- Depending on preference, doors can be fitted with glass.
- The meter compartments can be modified on request.
- Thanks to the modular design, enclosures can be connected in rows.
- To ensure protection against moisture and dust, the doors have a polyurethane seal.
- Front and rear doors are available.



PLEASE CONTACT OUR REPRESENTATIVE FOR PRICES



PRODUCT CODE	WIDTH x HEIGHT x DEEPTH (cm)	NUMBER OF METERS
NP.MD.SP.40*160*40	40 x 160 x 40	5
NP.MD.SP.50*160*40	50 x 160 x 40	5
NP.MD.SP.60*160*40	60 x 160 x 40	7
NP.MD.SP.40*160*50	40 x 160 x 50	5
NP.MD.SP.50*160*50	50 x 160 x 50	5
NP.MD.SP.60*160*60	60 x 160 x 60	7
NP.MD.SP.40*180*40	40 x 180 x 40	5
NP.MD.SP.50*180*50	50 x 180 x 50	5
NP.MD.SP.60*180*60	60 x 180 x 60	7
NP.MD.SP.40*180*40	40 x 180 x 40	5
NP.MD.SP.50*180*50	50 x 180 x 50	5
NP.MD.SP.60*180*60	60 x 180 x 60	7
NP.MD.SP.40*200*40	40 x 200 x 40	5
NP.MD.SP.50*200*50	50 x 200 x 50	5
NP.MD.SP.60*200*60	60 x 200 x 60	7
NP.MD.SP.40*200*40	40 x 200 x 40	5
NP.MD.SP.50*200*50	50 x 200 x 50	5
NP.MD.SP.60*200*60	60 x 200 x 60	7
NP.MD.SP.90*200*50	90 x 200 x 50	14

FLOOR STANDING OUTDOOR TYPE ENCLOSURE WITH MOUNTING PLATE

TECHNICAL SPECIFICATIONS	
Type	Semi-Modular
Design	Outdoor Type
Area of Use	Industrial
Protection Class	IP 55
Colors	RAL 7035
Paint	Electrostatic Powder Coating
Depth	400-500 mm
Width	600-1000 mm
Height	1500-2000 mm
Door	Single-Double door
Option	With Mounting Plate

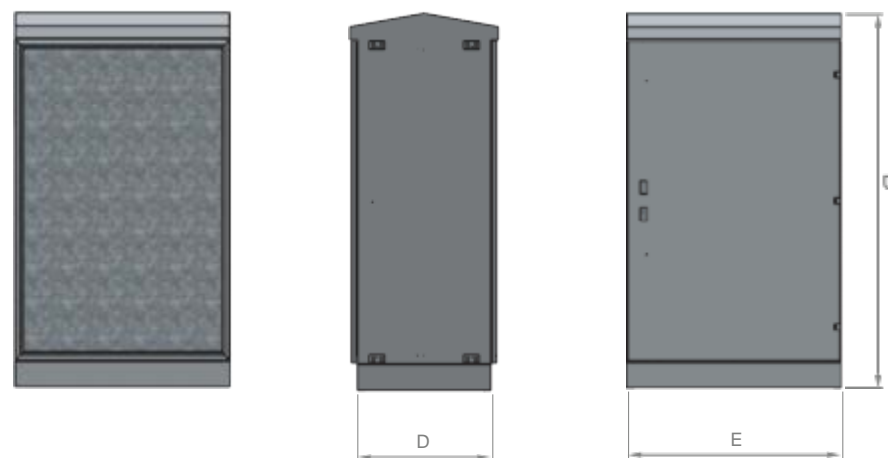
- The base is not included in the height measurements.
- When placing an order, the location of the openings on the doors for air filters, energy analyzers and alarms must be specified.
- Depending on preference, doors can be fitted with glass.
- The opening direction of the door can be changed.
- The door is installed with concealed hinges and an Espagnolette lock.
- To ensure protection against moisture and dust, the doors have a polyurethane seal.
- Asymmetrical roof is used to divert rainwater away from the enclosure.



PLEASE CONTACT OUR REPRESENTATIVE FOR PRICES



PRODUCT CODE	WIDTH x HEIGHT x DEPTH (cm)	MOUNTING PLATE (mm)
NP.DH.TS.60*150*40	60x150x40	530 x 1430
NP.DH.TS.60*150*50	60x150x50	530 x 1430
NP.DH.TS.70*150*40	70x150x40	630 x 1430
NP.DH.TS.70*150*50	70x150x50	630 x 1430
NP.DH.TS.80*170*40	80x170x40	730 x 1630
NP.DH.TS.80*170*50	80x170x50	730 x 1630
NP.DH.TS.80*190*50	80x190x50	730 x 1830
NP.DH.TS.80*200*50	80x200x50	730 x 1930
NP.DH.TS.90*200*50	90x200x50	830 x 1930
NP.DH.TS.100*200*50	100x200x50	930 x 1930



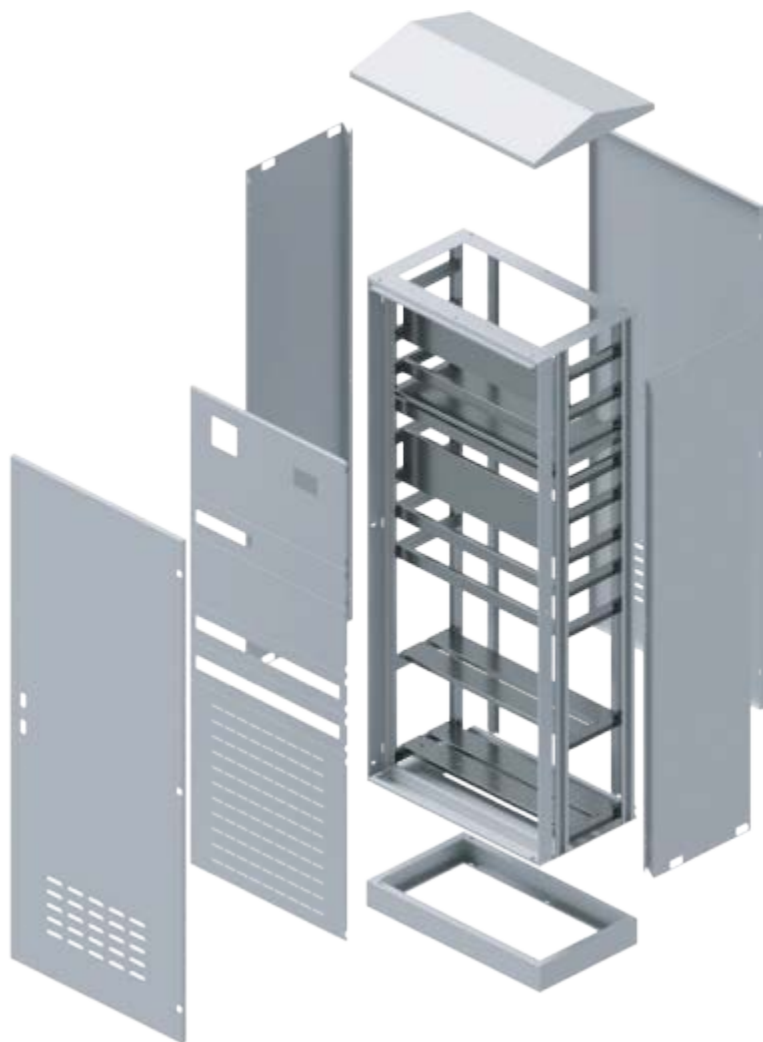
FLOOR STANDING OUTDOOR TYPE ENCLOSURE WITH DEAD FRONT

TECHNICAL SPECIFICATIONS	
Type	Semi-Modular
Design	Outdoor Type
Area of Use	Industrial
Protection Class	IP 55
Colors	RAL 7035
Paint	Electrostatic Powder Coating
Depth	400-500 mm
Width	600-900mm
Height	1500-2000 mm
Door	Single-Double Door
Option	With Dead Front

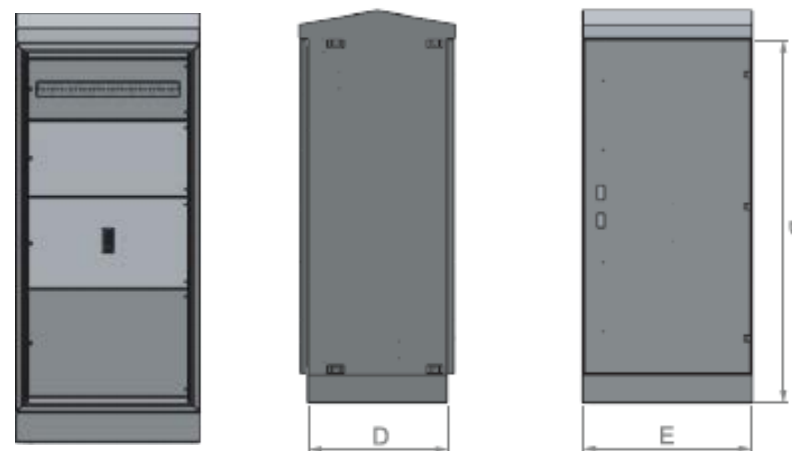
- The base is not included in the height measurements.
- When placing an order, the location of the openings on the doors for air filters, energy analyzers and alarms must be specified.
- Depending on preference, doors can be fitted with glass.
- The door is installed with concealed hinges and an Espagnolette lock.
- The opening direction of the door can be changed.
- To ensure protection against moisture and dust, the doors have a polyurethane seal.
- Asymmetrical roof is used to divert rainwater away from the enclosure.
- For enclosures with dead front, the dimensions of the dead front and internal cutouts must be specified when placing the order.



PLEASE CONTACT OUR REPRESENTATIVE FOR PRICES



PRODUCT CODE	WIDTH x HEIGHT x DEEPTH (cm)	NUMBER OF AUTOMATS
NP.DH.PS.60*150*40	60x150x40	25
NP.DH.PS.60*150*50	60x150x50	25
NP.DH.PS.70*150*40	70x150x40	30
NP.DH.PS.70*150*50	70x150x50	30
NP.DH.PS.80*170*40	80x170x40	36
NP.DH.PS.80*170*50	80x170x50	36
NP.DH.PS.80*190*50	80x190x50	36
NP.DH.PS.80*200*50	80x200x50	36
NP.DH.PS.90*200*50	90x200x50	41



WALL MOUNTED OUTDOOR TYPE ENCLOSURE WITH MOUNTING PLATE

TECHNICAL SPECIFICATIONS	
Type	Welded
Design	Outdoor Type
Area of Use	Industrial
Protection Class	IP 55
Colors	RAL 7035
Paint	Electrostatic Powder Coating
Depth	250-300 mm
Width	400-900 mm
Height	600-1200mm
Door	Single-Double door
Option	With Mounting Plate

- When placing an order, the location of the openings on the doors for air filters, energy analyzers and alarms must be specified.
- Depending on preference, doors can be fitted with glass.
- To ensure protection against moisture and dust, the doors have a polyurethane seal.
- The door is installed with concealed hinges and an Espagnolette lock.
- The opening direction of the door can be changed.
- Asymmetrical roof is used to divert rainwater away from the enclosure.



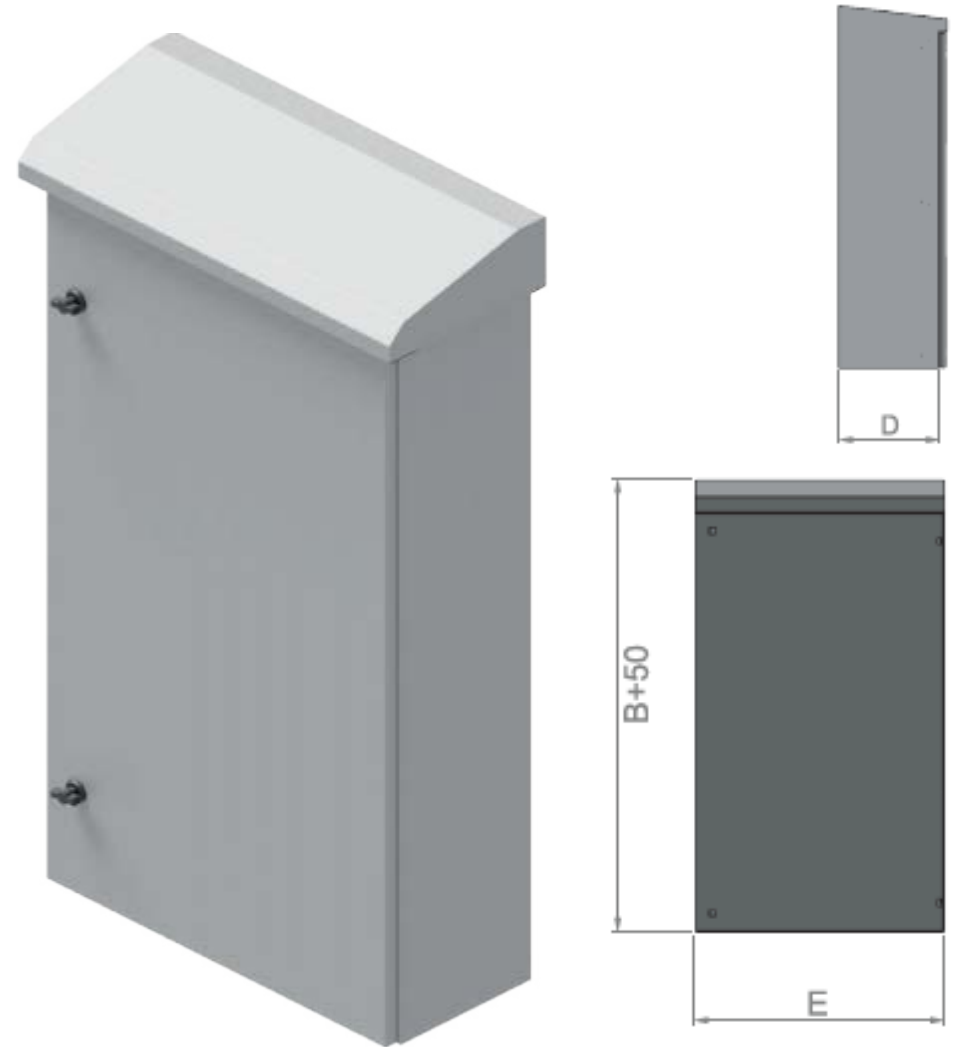


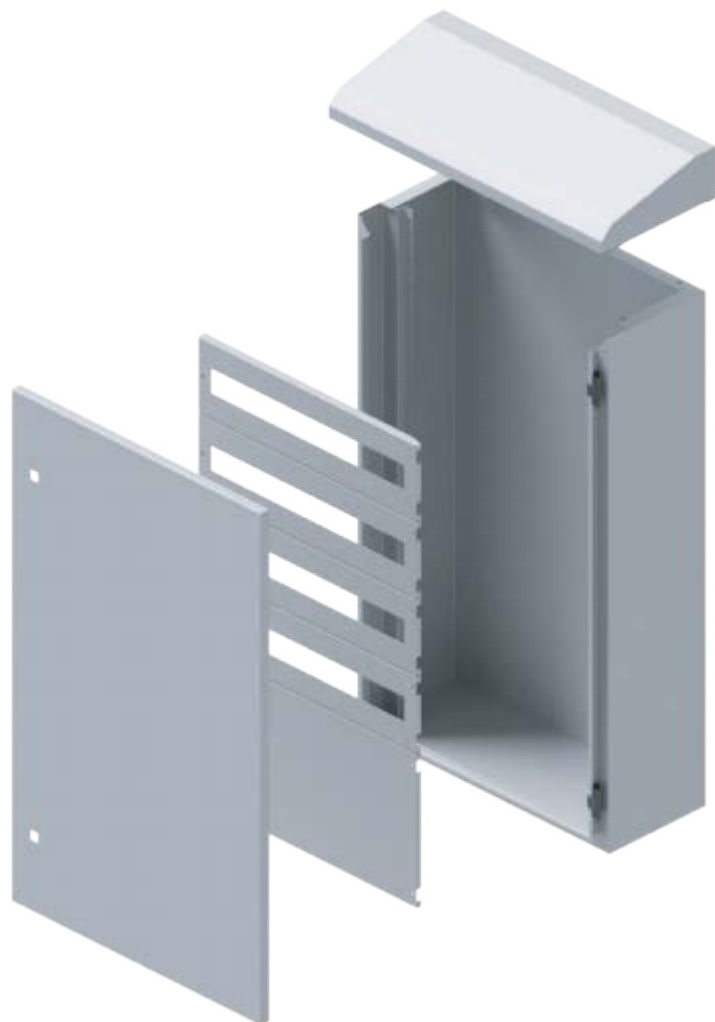
PRODUCT CODE	WIDTH x HEIGHT x DEPTH (cm)	MOUNTING PLATE (MM)	THICKNESS (MM)	PRICE (\$)
NP.DT.TS.40*60*25*1,2	40 x 60 x 25	340 x 540	1,2	203 \$
N.DT.TS.50*60*30*1,2	50 x 60 x 30	440 x 540	1,2	254 \$
NP.DT.TS.60*80*25*1,2	60 x 80 x 25	540 x 740	1,2	323 \$
NP.DT.TS.60*80*30*1,2	60 x 80 x 30	540 x 740	1,2	347 \$
NP.DT.TS.70*100*30*1,2	70 x 100 x 30	640 x 940	1,2	451 \$
NP.DT.TS.80*100*30*1,2	80 x 100 x 30	740 x 940	1,2	506 \$
NP.DT.TS.70*120*30*1,2	70 x 120 x 30	640 x 1140	1,2	529 \$
NP.DT.TS.80*120*30*1,2	80 x 120 x 30	740 x 1140	1,2	576 \$
NP.DT.TS.90*120*30*1,2	90 x 120 x 30	840 x 1140	1,2	633 \$
NP.DT.TS.40*60*25*1	40 x 60 x 25	340 x 540	1	183 \$
NP.DT.TS.50*60*30*1	50 x 60 x 30	440 x 540	1	223 \$
NP.DT.TS.60*80*25*1	60 x 80 x 25	540 x 740	1	287 \$
NP.DT.TS.60*80*30*1	60 x 80 x 30	540 x 740	1	304 \$
NP.DT.TS.70*100*30*1	70 x 100 x 30	640 x 940	1	399 \$
NP.DT.TS.80*100*30*1	80 x 100 x 30	740 x 940	1	439 \$
NP.DT.TS.70*120*30*1	70 x 120 x 30	640 x 1140	1	460 \$
NP.DT.TS.80*120*30*1	80 x 120 x 30	740 x 1140	1	507 \$
NP.DT.TS.90*120*30*1	90 x 120 x 30	840 x 1140	1	554 \$

WALL MOUNTED OUTDOOR TYPE ENCLOSURE WITH DEAD FRONT

TECHNICAL SPECIFICATIONS	
Type	Welded
Design	Outdoor Type
Area of Use	Industrial
Protection Class	IP 55
Colors	RAL 7035
Paint	Electrostatic Powder Coating
Depth	200 mm
Width	400-900 mm
Height	600-1200 mm
Door	Single-Double door
Option	With Dead Front

- When placing an order, the location of the openings on the doors for air filters, energy analyzers and alarms must be specified.
- Depending on preference, doors can be fitted with glass.
- To ensure protection against moisture and dust, the doors have a polyurethane seal.
- The door is installed with concealed hinges and an Espagnolette lock.
- The opening direction of the door can be changed.
- Asymmetrical roof is used to divert rainwater away from the enclosure.
- For enclosures with dead front, the dimensions of the dead front and internal cutouts must be specified when placing the order.



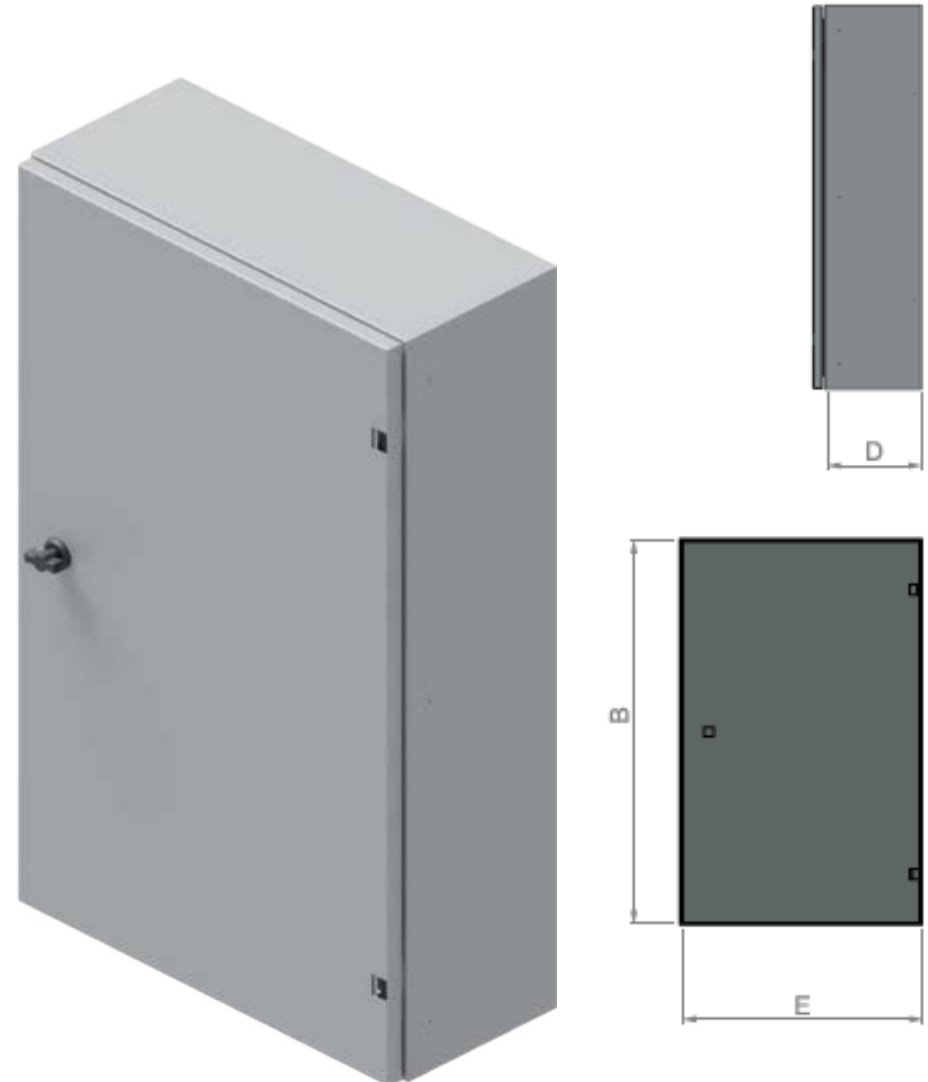


PRODUCT CODE	WIDTH x HEIGHT x DEPTH (cm)	NUMBER OF AUTOMATS (mm)	THICKNESS (mm)	PRICE (\$)
NP.DT.PS.40*60*20*1,2	40 x 60 x 20	14	1,2	213 \$
NP.DT.PS.50*60*20*1,2	50 x 60 x 20	20	1,2	248 \$
NP.DT.PS.60*70*20*1,2	60 x 70 x 20	25	1,2	312 \$
NP.DT.PS.60*80*20*1,2	60 x 80 x 20	25	1,2	354 \$
NP.DT.PS.70*100*20*1,2	70 x 100 x 20	31	1,2	474 \$
NP.DT.PS.80*100*20*1,2	80 x 100 x 20	36	1,2	527 \$
NP.DT.PS.70*120*20*1,2	70 x 120 x 20	31	1,2	550 \$
NP.DT.PS.80*120*20*1,2	80 x 120 x 20	36	1,2	614 \$
NP.DT.PS.90*120*20*1,2	90 x 120 x 20	42	1,2	679 \$
NP.DT.PS.40*60*20*1	40 x 60 x 20	14	1	187 \$
NP.DT.PS.50*60*20*1	50 x 60 x 20	20	1	217 \$
NP.DT.PS.60*70*20*1	60 x 70 x 20	25	1	275 \$
NP.DT.PS.60*80*20*1	60 x 80 x 20	25	1	305 \$
NP.DT.PS.70*100*20*1	70 x 100 x 20	31	1	409 \$
NP.DT.PS.80*100*20*1	80 x 100 x 20	36	1	456 \$
NP.DT.PS.70*120*20*1	70 x 120 x 20	31	1	477 \$
NP.DT.PS.80*120*20*1	80 x 120 x 20	36	1	531 \$
NP.DT.PS.90*120*20*1	90 x 120 x 20	42	1	586 \$

SURFACE MOUNTED ENCLOSURE WITH MOUNTING PLATE

TECHNICAL SPECIFICATIONS	
Type	Welded
Design	Surface Mounted
Area of Use	Industrial
Protection Class	IP 55
Colors	RAL 7035
Paint	Electrostatic Powder Coating
Depth	150-300 mm
Width	300-800 mm
Height	400-1000 mm
Door	Single-Double door
Option	With Mounting Plate

- When placing an order, the location of the openings on the doors for air filters, energy analyzers and alarms must be specified.
- The opening direction of the door can be changed.
- Wall brackets are available to facilitate the mounting of enclosures to the wall.
- Depending on preference, the doors can be fitted with glass.



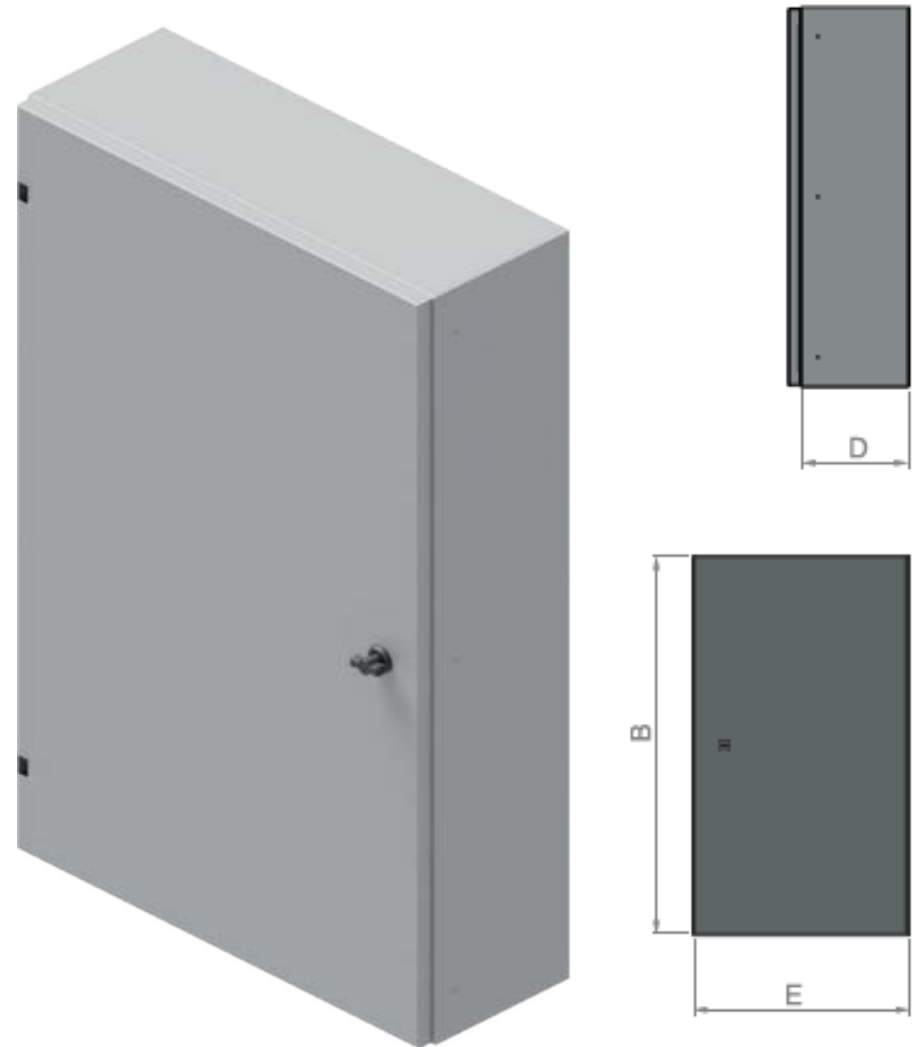
PRODUCT CODE	WIDTH x HEIGHT x DEPTH (cm)	MOUNTING PLATE(MM)	THICKNESS (MM)	PRICE (\$)
NP.DU.TS.30*40*15*1,2	30 x 40 x 15	230 x 330	1,2	93 \$
NP.DU.TS.30*40*25*1,2	30 x 40 x 25	230 x 330	1,2	110 \$
NP.DU.TS.30*50*15*1,2	30 x 50 x 15	230 x 430	1,2	108 \$
NP.DU.TS.30*50*25*1,2	30 x 50 x 25	230 x 430	1,2	124 \$
NP.DU.TS.30*60*15*1,2	30 x 60 x 15	230 x 530	1,2	117 \$
NP.DU.TS.30*60*25*1,2	30 x 60 x 25	230 x 530	1,2	138 \$
NP.DU.TS.40*40*15*1,2	40 x 40 x 15	330 x 330	1,2	109 \$
NP.DU.TS.40*40*25*1,2	40 x 40 x 25	330 x 330	1,2	128 \$
NP.DU.TS.40*50*15*1,2	40 x 50 x 15	330 x 430	1,2	123 \$
NP.DU.TS.40*50*25*1,2	40 x 50 x 25	330 x 430	1,2	146 \$
NP.DU.TS.40*60*15*1,2	40 x 60 x 15	330 x 530	1,2	140 \$
NP.DU.TS.40*60*25*1,2	40 x 60 x 25	330 x 530	1,2	160 \$
NP.DU.TS.40*70*15*1,2	40 x 70 x 15	330 x 630	1,2	153 \$
NP.DU.TS.40*70*25*1,2	40 x 70 x 25	330 x 630	1,2	178 \$
NP.DU.TS.50*70*15*1,2	50 x 70 x 15	430 x 630	1,2	178 \$
NP.DU.TS.50*70*25*1,2	50 x 70 x 25	430 x 630	1,2	204 \$
NP.DU.TS.50*80*15*1,2	50 x 80 x 15	430 x 730	1,2	196 \$
NP.DU.TS.50*80*25*1,2	50 x 80 x 25	430 x 730	1,2	228 \$
NP.DU.TS.60*80*15*1,2	60 x 80 x 15	530 x 730	1,2	226 \$
NP.DU.TS.60*80*25*1,2	60 x 80 x 25	530 x 730	1,2	254 \$
NP.DU.TS.50*80*30*1,2	50 x 80 x 30	430 x 730	1,2	239 \$
NP.DU.TS.50*90*30*1,2	50 x 90 x 30	430 x 830	1,2	261 \$
NP.DU.TS.50*100*30*1,2	50 x 100 x 30	430 x 930	1,2	284 \$
NP.DU.TS.70*100*30*1,2	70 x 100 x 30	630 x 930	1,2	356 \$
NP.DU.TS.80*100*30*1,2	80 x 100 x 30	730 x 930	1,2	399 \$
NP.DU.TS.30*40*15*1	30 x 40 x 15	230 x 330	1	85 \$

PRODUCT CODE	WIDTH x HEIGHT x DEPTH (cm)	MOUNTING PLATE(MM)	THICKNESS (MM)	PRICE (\$)
NP.DU.TS.30*40*25*1	30 x 40 x 25	230 x 330	1	99 \$
NP.DU.TS.30*50*15*1	30 x 50 x 15	230 x 430	1	96 \$
NP.DU.TS.30*50*25*1	30 x 50 x 25	230 x 430	1	112 \$
NP.DU.TS.30*60*15*1	30 x 60 x 15	230 x 530	1	106 \$
NP.DU.TS.30*60*25*1	30 x 60 x 25	230 x 530	1	124 \$
NP.DU.TS.40*40*15*1	40 x 40 x 15	330 x 330	1	99 \$
NP.DU.TS.40*40*25*1	40 x 40 x 25	330 x 330	1	114 \$
NP.DU.TS.40*50*15*1	40 x 50 x 15	330 x 430	1	112 \$
NP.DU.TS.40*50*25*1	40 x 50 x 25	330 x 430	1	129 \$
NP.DU.TS.40*60*15*1	40 x 60 x 15	330 x 530	1	125 \$
NP.DU.TS.40*60*25*1	40 x 60 x 25	330 x 530	1	145 \$
NP.DU.TS.40*70*15*1	40 x 70 x 15	330 x 630	1	138 \$
NP.DU.TS.40*70*25*1	40 x 70 x 25	330 x 630	1	160 \$
NP.DU.TS.50*70*15*1	50 x 70 x 15	430 x 630	1	159 \$
NP.DU.TS.50*70*25*1	50 x 70 x 25	430 x 630	1	183 \$
NP.DU.TS.50*80*15*1	50 x 80 x 15	430 x 730	1	175 \$
NP.DU.TS.50*80*25*1	50 x 80 x 25	430 x 730	1	201 \$
NP.DU.TS.60*80*15*1	60 x 80 x 15	530 x 730	1	199 \$
NP.DU.TS.60*80*25*1	60 x 80 x 25	530 x 730	1	226 \$
NP.DU.TS.50*80*30*1	50 x 80 x 30	430 x 730	1	213 \$
NP.DU.TS.50*90*30*1	50 x 90 x 30	430 x 830	1	232 \$
NP.DU.TS.50*100*30*1	50 x 100 x 30	430 x 930	1	251 \$
NP.DU.TS.60*90*30*1	60 x 90 x 30	530 x 830	1	261 \$
NP.DU.TS.60*100*30*1	60 x 100 x 30	530 x 930	1	283 \$
NP.DU.TS.70*100*30*1	70 x 100 x 30	630 x 930	1	315 \$
NP.DU.TS.80*100*30*1	80 x 100 x 30	730 x 930	1	347 \$

SURFACE MOUNTED ENCLOSURE WITH DEAD FRONT

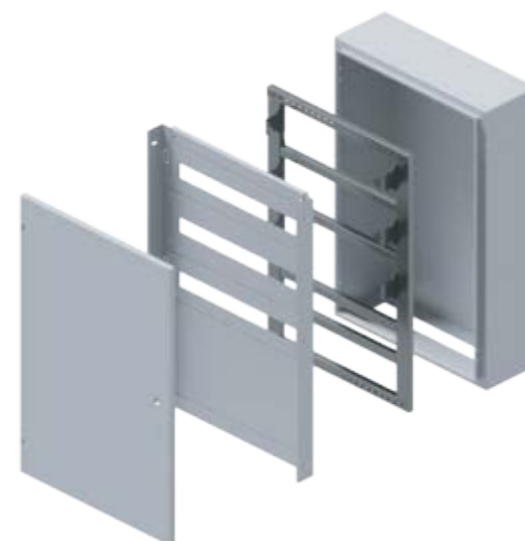
TECHNICAL SPECIFICATIONS	
Type	Modular
Design	Surface Mounted
Area of Use	Industrial
Protection Class	IP 55
Colors	RAL 7035
Paint	Electrostatic Powder Coating
Depth	150-250 mm
Width	400-800 mm
Height	500-1000 mm
Door	Single-Double Door
Option	With Dead Front

- The number of automats indicated in the table refers to the Single row.
- The design of the dead front can be modified on request.
- For enclosures with dead front, the dimensions of the dead front and internal cutouts must be specified when placing the order.
- Door is equipped with concealed hinges and a butterfly lock.
- Depending on preference, the doors can be fitted with glass.
- Wall brackets are available to facilitate the mounting of enclosures to the wall.
- To ensure protection against moisture and dust, the doors have a polyurethane seal.
- When placing an order, the location of the openings on the doors for air filters, energy analyzers and alarms must be specified.



PRODUCT CODE	WIDTH x HEIGHT x DEPTH (cm)	NUMBER OF AUTOMATS	THICKNESS (mm)	PRICE (\$)
NP.DU.PS.40*50*20*1,2	40 x 50 x 20	14	1,2	163 \$
NP.DU.PS.40*60*15*1,2	40 x 60 x 15	14	1,2	195 \$
NP.DU.PS.40*60*20*1,2	40 x 60 x 20	14	1,2	208 \$
NP.DU.PS.40*60*25*1,2	40 x 60 x 25	14	1,2	223 \$
NP.DU.PS.40*70*15*1,2	40 x 70 x 15	14	1,2	218 \$
NP.DU.PS.40*70*25*1,2	40 x 70 x 25	14	1,2	248 \$
NP.DU.PS.50*60*20*1,2	50 x 60 x 20	19	1,2	243 \$
NP.DU.PS.50*70*15*1,2	50 x 70 x 15	19	1,2	255 \$
NP.DU.PS.50*70*20*1,2	50 x 70 x 20	19	1,2	272 \$
NP.DU.PS.60*70*20*1,2	60 x 70 x 20	25	1,2	311 \$
NP.DU.PS.60*80*20*1,2	60 x 80 x 20	25	1,2	354 \$
NP.DU.PS.70*80*20*1,2	70 x 80 x 20	30	1,2	389 \$
NP.DU.PS.70*90*20*1,2	70 x 90 x 20	30	1,2	431 \$
NP.DU.PS.80*90*20*1,2	80 x 90 x 20	36	1,2	484 \$
NP.DU.PS.80*100*20*1,2	80 x 100 x 20	36	1,2	527 \$
NP.DU.PS.40*50*20*1	40 x 50 x 20	14	1	157 \$
NP.DU.PS.40*60*15*1	40 x 60 x 15	14	1	175 \$
NP.DU.PS.40*60*20*1	40 x 60 x 20	14	1	187 \$
NP.DU.PS.40*60*25*1	40 x 60 x 25	14	1	200 \$
NP.DU.PS.40*70*15*1	40 x 70 x 15	14	1	194 \$
NP.DU.PS.40*70*25*1	40 x 70 x 25	14	1	222 \$
NP.DU.PS.50*60*20*1	50 x 60 x 20	19	1	217 \$

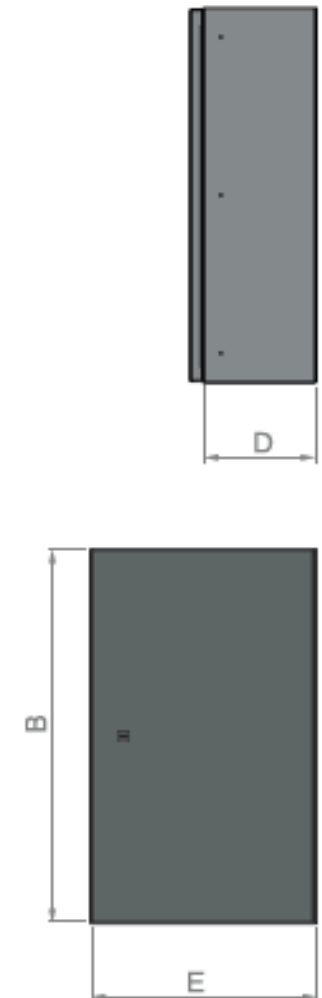
PRODUCT CODE	WIDTH x HEIGHT x DEPTH (cm)	NUMBER OF AUTOMATS	THICKNESS (mm)	PRICE (\$)
NP.DU.PS.50*70*15*1	50 x 70 x 15	19	1	227 \$
NP.DU.PS.50*70*20*1	50 x 70 x 20	19	1	242 \$
NP.DU.PS.60*70*20*1	60 x 70 x 20	25	1	275 \$
NP.DU.PS.60*80*20*1	60 x 80 x 20	25	1	305 \$
NP.DU.PS.70*80*20*1	70 x 80 x 20	30	1	342 \$
NP.DU.PS.70*90*20*1	70 x 90 x 20	30	1	376 \$
NP.DU.PS.80*90*20*1	80 x 90 x 20	36	1	418 \$
NP.DU.PS.80*100*20*1	80 x 100 x 20	36	1	456 \$



SURFACE MOUNTED SEMI-MODULAR ENCLOSURE WITH DEAD FRONT

TECHNICAL SPECIFICATIONS	
Type	Welded
Design	Surface Mounted
Area of Use	Industrial
Protection Class	IP 55
Colors	RAL 7035
Paint	Electrostatic Powder Coating
Depth	150-400 mm
Width	400-800 mm
Height	500-1000 mm
Door	Single-Double Door
Option	With Dead Front

- Number of automats indicated in the table refers to Single row.
- The design of the dead front can be modified on request, please specify the dimensions of the dead front and internal cut-outs when placing the order.
- When placing an order, the location of the openings on the doors for air filters, energy analyzers and alarms must be specified.
- Door is equipped with concealed hinges and a butterfly lock.
- Depending on preference, the doors can be equipped with glass and the direction of opening can be changed.
- Wall brackets are available to facilitate the mounting of enclosures to the wall.
- To ensure protection against moisture and dust, the doors have a polyurethane seal.
- Side walls are welded.



PRODUCT CODE	WIDTH x HEIGHT x DEEPTH (cm)	NUMBER OF AUTOMATS	THICKNESS (mm)	PRICE (\$)
NP.DU.PS.40*50*20*1,2	40 x 50 x 20	14	1,2	185 \$
NP.DU.PS.40*60*15*1,2	40 x 60 x 15	14	1,2	195 \$
NP.DU.PS.40*60*20*1,2	40 x 60 x 20	14	1,2	208 \$
NP.DU.PS.40*60*25*1,2	40 x 60 x 25	14	1,2	223 \$
NP.DU.PS.40*70*15*1,2	40 x 70 x 15	14	1,2	218 \$
NP.DU.PS.40*70*25*1,2	40 x 70 x 25	14	1,2	248 \$
NP.DU.PS.50*60*20*1,2	50 x 60 x 20	19	1,2	243 \$
NP.DU.PS.50*70*15*1,2	50 x 70 x 15	19	1,2	255 \$
NP.DU.PS.50*70*20*1,2	50 x 70 x 20	19	1,2	272 \$
NP.DU.PS.60*70*20*1,2	60 x 70 x 20	25	1,2	311 \$
NP.DU.PS.60*80*20*1,2	60 x 80 x 20	25	1,2	354 \$
NP.DU.PS.70*80*20*1,2	70 x 80 x 20	30	1,2	389 \$
NP.DU.PS.70*90*20*1,2	70 x 90 x 20	30	1,2	431 \$
NP.DU.PS.80*90*20*1,2	80 x 90 x 20	36	1,2	484 \$
NP.DU.PS.80*100*20*1,2	80 x 100 x 20	36	1,2	527 \$
NP.DU.PS.40*50*20*1	40 x 50 x 20	14	1	166 \$
NP.DU.PS.40*60*15*1	40 x 60 x 15	14	1	175 \$
NP.DU.PS.40*60*20*1	40 x 60 x 20	14	1	187 \$
NP.DU.PS.40*60*25*1	40 x 60 x 25	14	1	200 \$
NP.DU.PS.40*70*15*1	40 x 70 x 15	14	1	194 \$
NP.DU.PS.40*70*25*1	40 x 70 x 25	14	1	222 \$
NP.DU.PS.50*60*20*1	50 x 60 x 20	19	1	217 \$

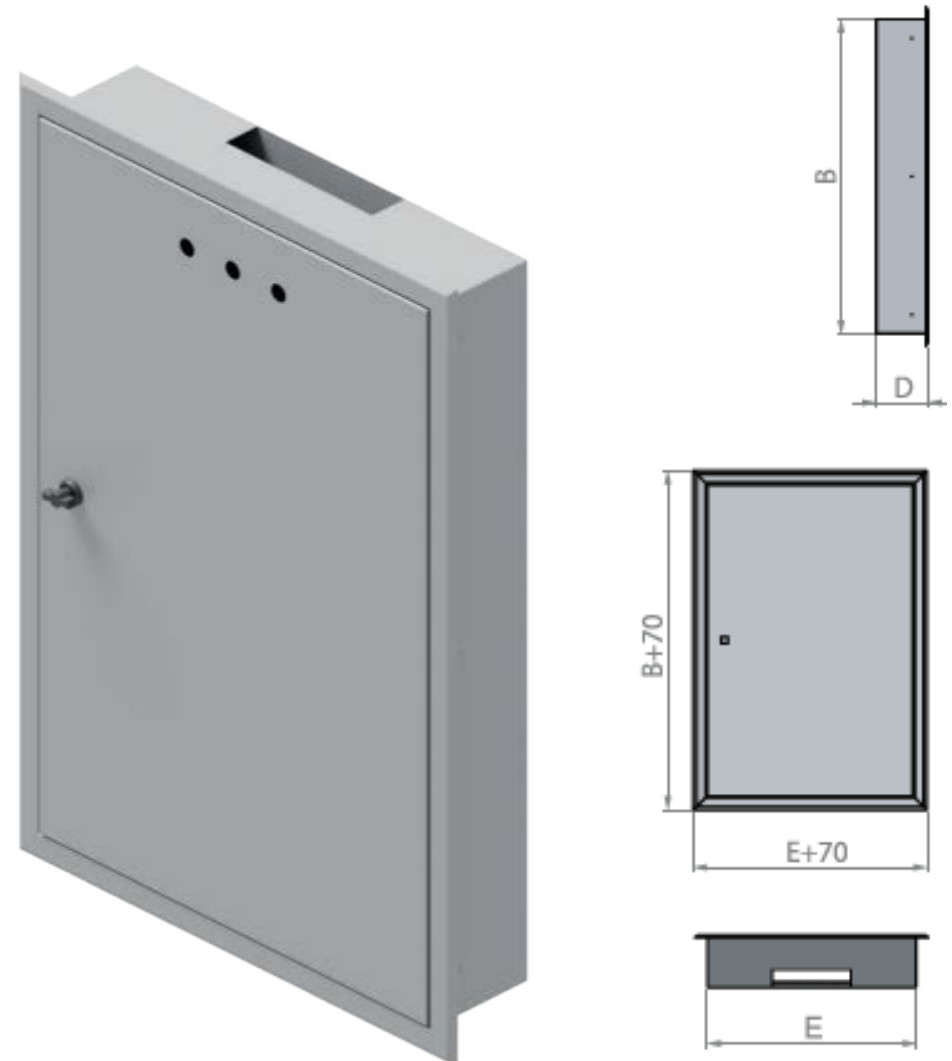
PRODUCT CODE	WIDTH x HEIGHT x DEEPTH (cm)	NUMBER OF AUTOMATS	THICKNESS (mm)	PRICE (\$)
NP.DU.PS.50*70*15*1	50 x 70 x 15	19	1	227 \$
NP.DU.PS.50*70*20*1	50 x 70 x 20	19	1	242 \$
NP.DU.PS.60*70*20*1	60 x 70 x 20	25	1	275 \$
NP.DU.PS.60*80*20*1	60 x 80 x 20	25	1	305 \$
NP.DU.PS.70*80*20*1	70 x 80 x 20	30	1	342 \$
NP.DU.PS.70*90*20*1	70 x 90 x 20	30	1	376 \$
NP.DU.PS.80*90*20*1	80 x 90 x 20	36	1	418 \$
NP.DU.PS.80*100*20*1	80 x 100 x 20	36	1	456 \$



RECESSED ENCLOSURE WITH MOUNTING PLATE

TECHNICAL SPECIFICATIONS	
Type	Welded
Design	Recessed
Area of Use	Industrial
Protection Class	IP 55
Colors	RAL 7035
Paint	Electrostatic Powder Coating
Depth	100-175 mm
Width	300-800 mm
Height	400-1000 mm
Door	Single-Double Door
Option	With Mounting Plate

- When placing an order, the location of the openings on the doors for air filters, energy analyzers and alarms must be specified.
- Depending on preference, the doors can be equipped with glass.
- The opening direction of the door can be changed.
- To ensure protection against moisture and dust, the doors have a polyurethane seal.
- Door is equipped with concealed hinges and a butterfly lock.



PRODUCT CODE	WIDTH x HEIGHT x DEPTH (cm)	MOUNTING PLATE(mm)	THICKNESS (mm)	PRICE (\$)
NP.DA.TS.30*40*10	30 x 40 x 10	260X360	1	114 \$
NP.DA.TS.30*40*15	30 x 40 x 15	260X360	1	124 \$
NP.DA.TS.30*50*10	30 x 50 x 10	260X460	1	128 \$
NP.DA.TS.30*50*15	30 x 50 x 15	260X460	1	139 \$
NP.DA.TS.30*60*10	30 x 60 x 10	260X560	1	142 \$
NP.DA.TS.30*60*15	30 x 60 x 15	260X560	1	154 \$
NP.DA.TS.40*40*10	40 x 40 x 10	360X360	1	131 \$
NP.DA.TS.40*40*15	40 x 40 x 15	360X360	1	142 \$
NP.DA.TS.40*50*10	40 x 50 x 10	360X460	1	148 \$
NP.DA.TS.40*50*15	40 x 50 x 15	360X460	1	161 \$
NP.DA.TS.40*60*10	40 x 60 x 10	360X560	1	165 \$
NP.DA.TS.40*60*15	40 x 60 x 15	360X560	1	179 \$
NP.DA.TS.40*70*10	40 x 70 x 10	360X660	1	183 \$
NP.DA.TS.40*70*15	40 x 70 x 15	360X660	1	197 \$
NP.DA.TS.50*70*10	50 x 70 x 10	460X660	1	210 \$
NP.DA.TS.50*70*15	50 x 70 x 15	460X660	1	226 \$
NP.DA.TS.50*80*10	50 x 80 x 10	460X760	1	230 \$
NP.DA.TS.50*80*15	50 x 80 x 15	460X760	1	248 \$
NP.DA.TS.60*80*10	60 x 80 x 10	560X760	1	261 \$
NP.DA.TS.60*80*15	60 x 80 x 15	560X760	1	279 \$
NP.DA.TS.50*80*15	50 x 80 x 15	460X760	1	311 \$
NP.DA.TS.50*90*15	50 x 90 x 15	460X860	1	269 \$

PRODUCT CODE	WIDTH x HEIGHT x DEPTH (cm)	MOUNTING PLATE(mm)	THICKNESS (mm)	PRICE (\$)
NP.DA.TS.50*100*15	50 x 100 x 15	460X960	1	291 \$
NP.DA.TS.60*90*15	60 x 90 x 15	560X860	1	304 \$
NP.DA.TS.60*100*15	60 x 100 x 15	560X960	1	329 \$
NP.DA.TS.70*100*15	70 x 100 x 15	660X960	1	368 \$
NP.DA.TS.80*100*15	80 x 100 x 15	760X960	1	406 \$

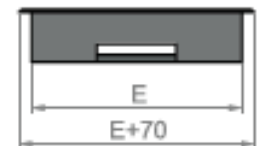
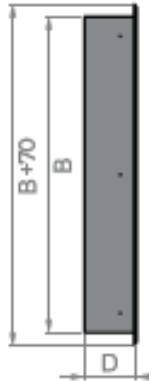


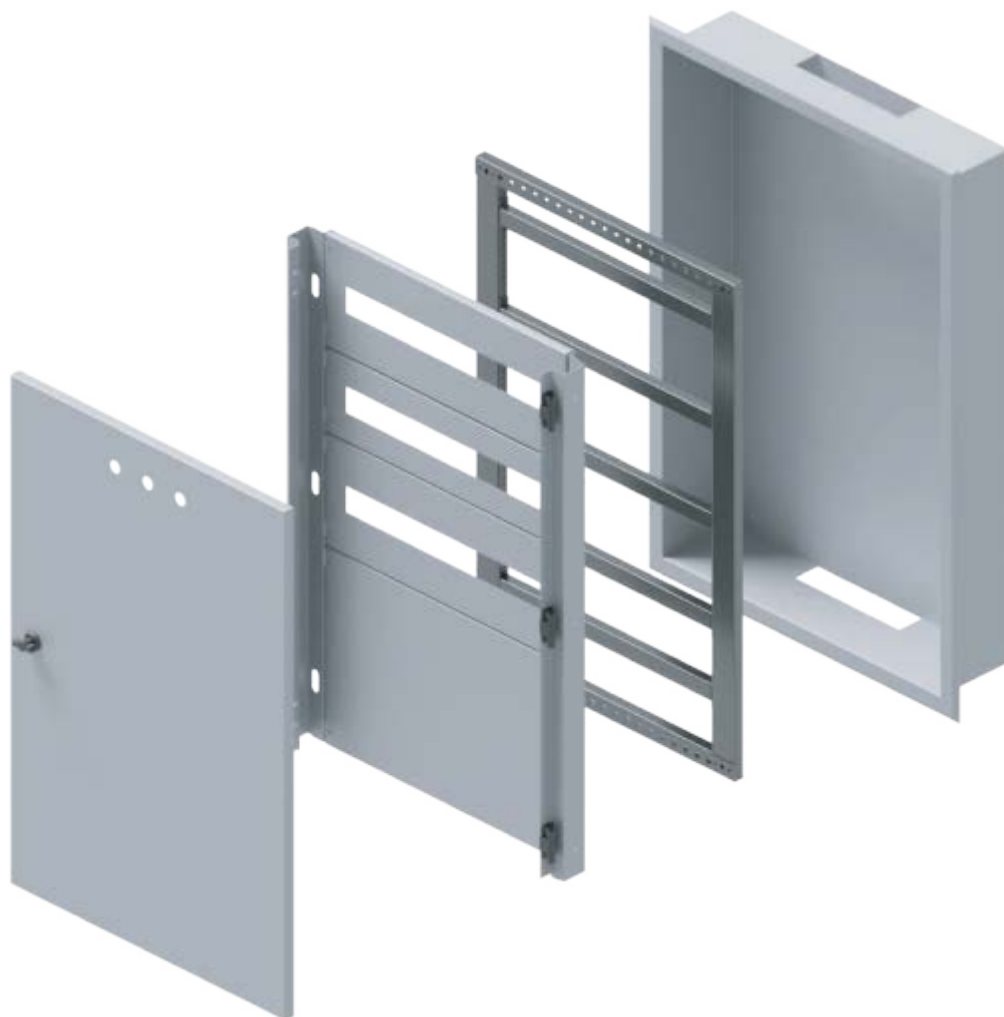
RECESSED ENCLOSURE WITH DEAD FRONT

TECHNICAL SPECIFICATIONS	
Type	Welded
Design	Recessed
Area of Use	Industrial
Protection Class	IP 55
Colors	RAL 7035
Paint	Electrostatic Powder Coating
Depth	100-175 mm
Width	400-800 mm
Height	500-1000 mm
Door	Single-Double door
Option	With Dead Front

- Number of automats indicated in the table refers to single row.
- The design of the dead front can be modified on request.
- The opening direction of the door can be changed.
- Door is equipped with concealed hinges and a butterfly lock.
- When placing an order, the location of the openings on the doors for air filters, energy analyzers and alarms must be specified.

- For enclosures with dead front, the dimensions of the dead front and internal cutouts must be specified when placing the order.
- To ensure protection against moisture and dust, the doors have a polyurethane seal.





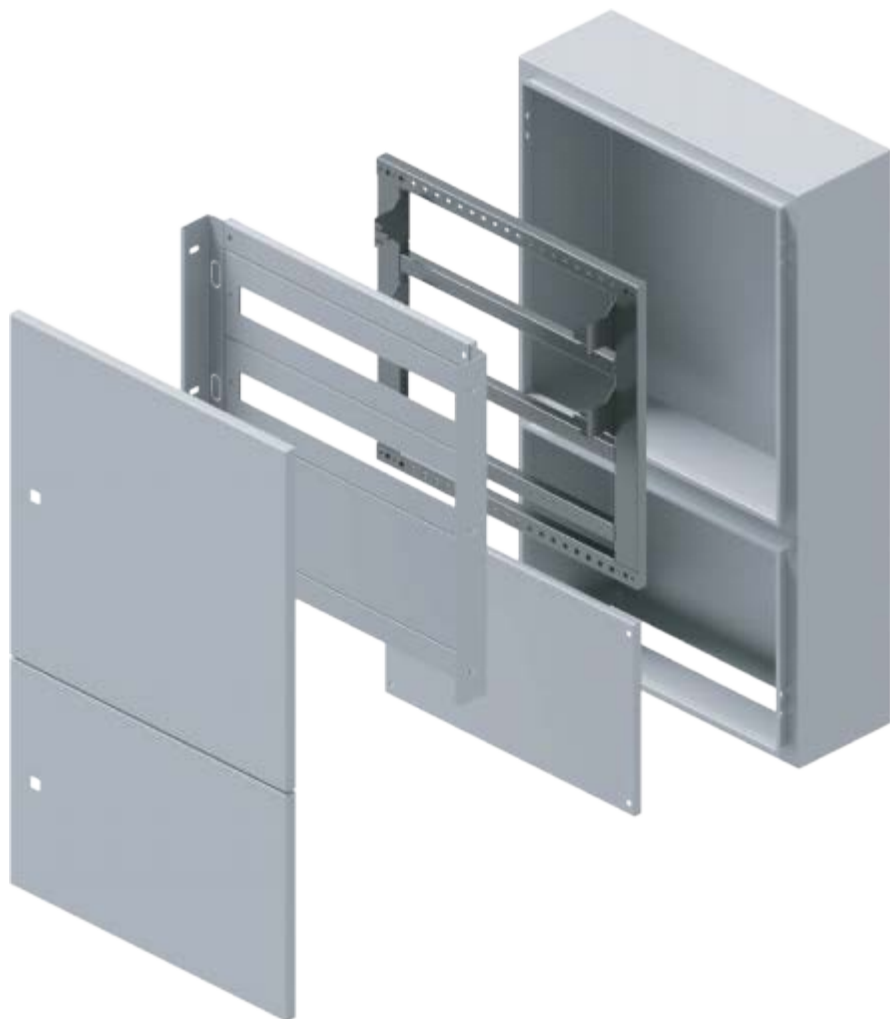
PRODUCT CODE	WIDTH x HEIGHT x DEPTH (cm)	NUMBER OF AUTOMATS	THICKNESS (mm)	PRICE (\$)
NP.DA.PS.40*50*10	40 x 50 x 10	14	1	165 \$
NP.DA.PS.40*60*10	40 x 60 x 10	14	1	186 \$
NP.DA.PS.40*60*15	40 x 60 x 15	14	1	200 \$
NP.DA.PS.40*70*15	40 x 70 x 15	14	1	255 \$
NP.DA.PS.50*60*15	50 x 60 x 15	19	1	230 \$
NP.DA.PS.50*70*15	50 x 70 x 15	19	1	256 \$
NP.DA.PS.60*70*15	60 x 70 x 15	25	1	290 \$
NP.DA.PS.60*80*15	60 x 80 x 15	25	1	320 \$
NP.DA.PS.70*80*15	70 x 80 x 15	30	1	359 \$
NP.DA.PS.70*90*15	70 x 90 x 15	30	1	393 \$
NP.DA.PS.80*90*15	80 x 90 x 15	36	1	436 \$
NP.DA.PS.80*100*15	80 x 100 x 15	36	1	475 \$

SURFACE MOUNTED DISTRIBUTION + LOW VOLTAGE BOARD

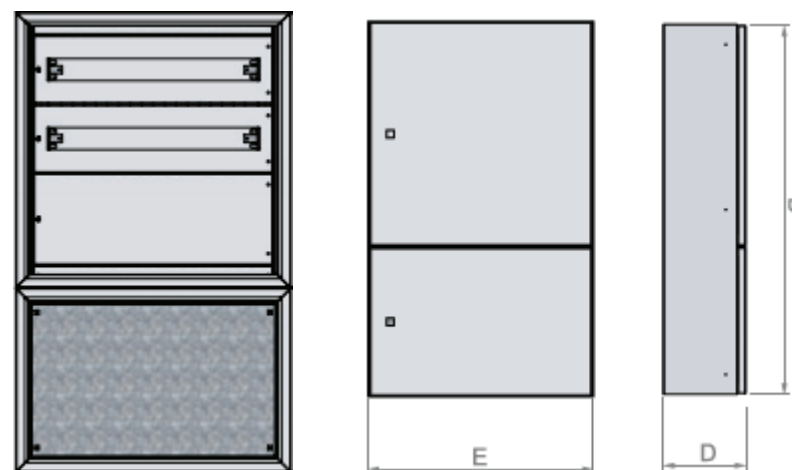
TECHNICAL SPECIFICATIONS	
Type	Welded
Design	Surface Mounted
Area of Use	Industrial
Protection Class	IP 55
Colors	RAL 7035
Paint	Electrostatic Powder Coating
Depth	100-200 mm
Width	600 mm
Height	800-1000 mm
Door	Top - Bottom Door
Option	Upper part - distribution board, lower part - low-current board

- When placing an order, the location of the openings on the doors for air filters, energy analyzers and alarms must be specified.
- To ensure protection against moisture and dust, the doors have a polyurethane seal.
- The opening direction of the door can be changed.
- Depending on preference, the doors can be equipped with glass.
- Door is equipped with concealed hinges and a butterfly lock.





PRODUCT CODE	WIDTH x HEIGHT x DEPTH (cm)	THICKNESS (MM)	PRICE(\$)
NP.ZU.TS.60*80*10	60 x 80 x 10	1	234 \$
NP.ZU.TS.60*90*10	60 x 90 x 10	1	257 \$
NP.ZU.TS.60*90*15	60 x 90 x 15	1	275 \$
NP.ZU.TS.60*100*20	60 x 100 x 20	1	298 \$

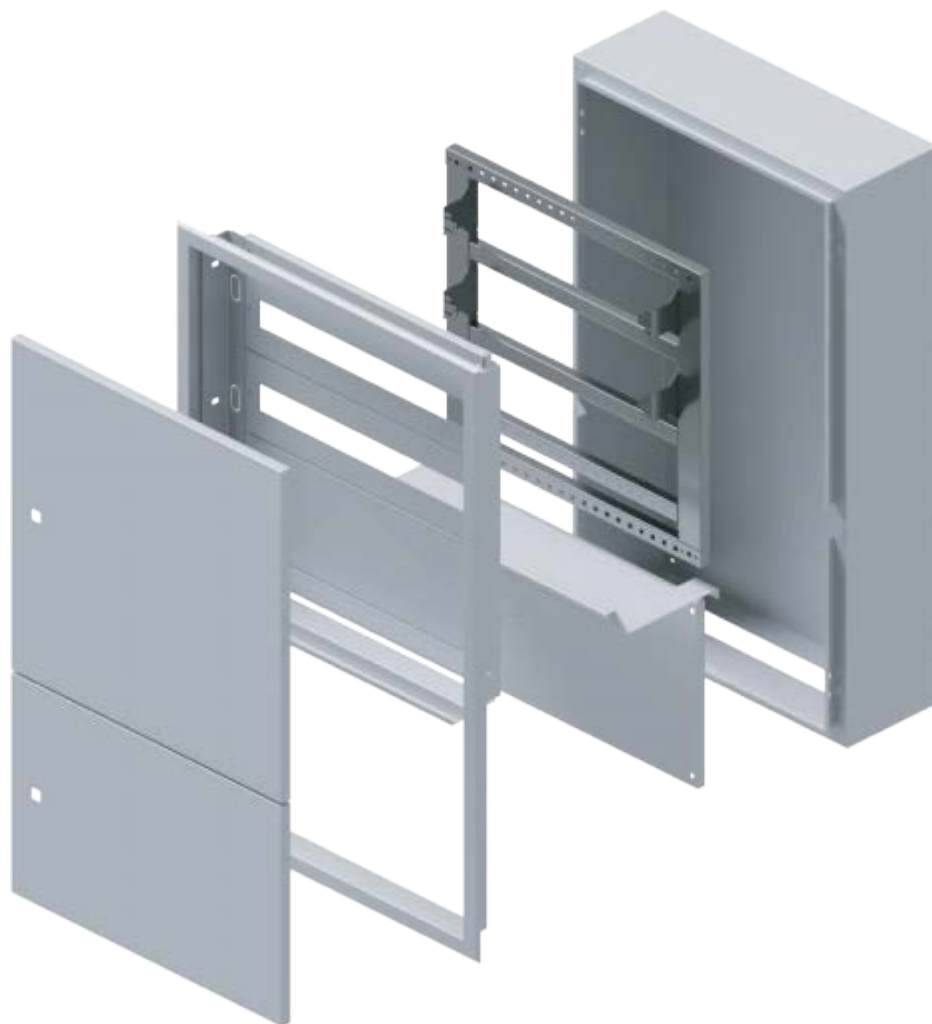


RECESSED DISTRIBUTION + LOW VOLTAGE BOARD

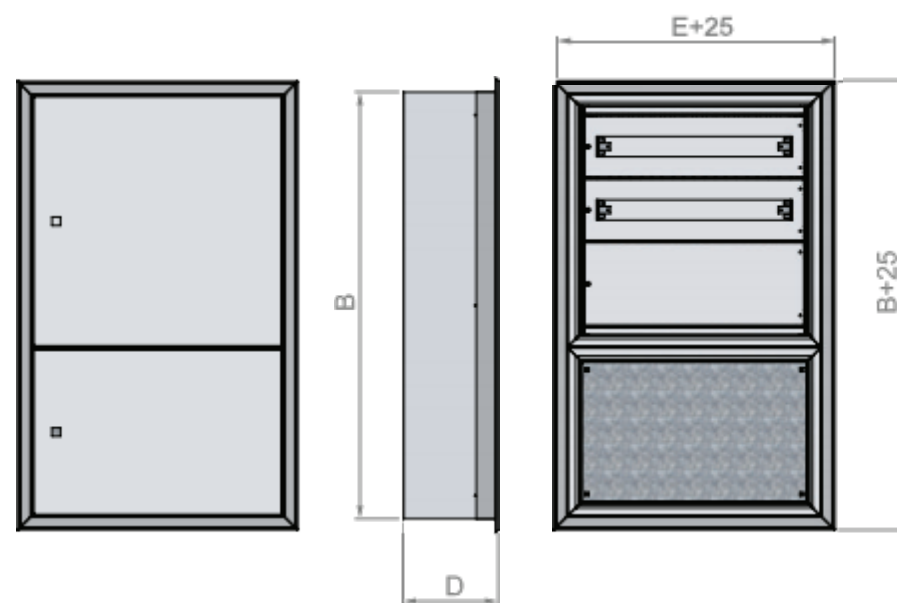
TECHNICAL SPECIFICATIONS	
Type	Welded
Design	Recessed
Area of Use	Industrial
Protection Class	IP 55
Colors	RAL 7035
Paint	Electrostatic Powder Coating
Depth	100-200 mm
Width	600 mm
Height	800-1000 mm
Door	Top - Bottom Door
Option	Upper part - distribution board, lower part - low-current board

- When placing an order, the location of the openings on the doors for air filters, energy analyzers and alarms must be specified.
- To ensure protection against moisture and dust, the doors have a polyurethane seal.
- The opening direction of the door can be changed.
- Depending on preference, the doors can be equipped with glass.
- Door is equipped with concealed hinges and a butterfly lock.





PRODUCT CODE	WIDTH x HEIGHT x DEPTH (cm)	THICKNESS (mm)	PRICE(\$)
NP.ZA.TS.60*80*10	60 x 80 x 10	1	261 \$
NP.ZA.TS.60*90*10	60 x 90 x 10	1	284 \$
NP.ZA.TS.60*90*15	60 x 90 x 15	1	304 \$
NP.ZA.TS.60*100*20	60 x 100 x 20	1	329 \$



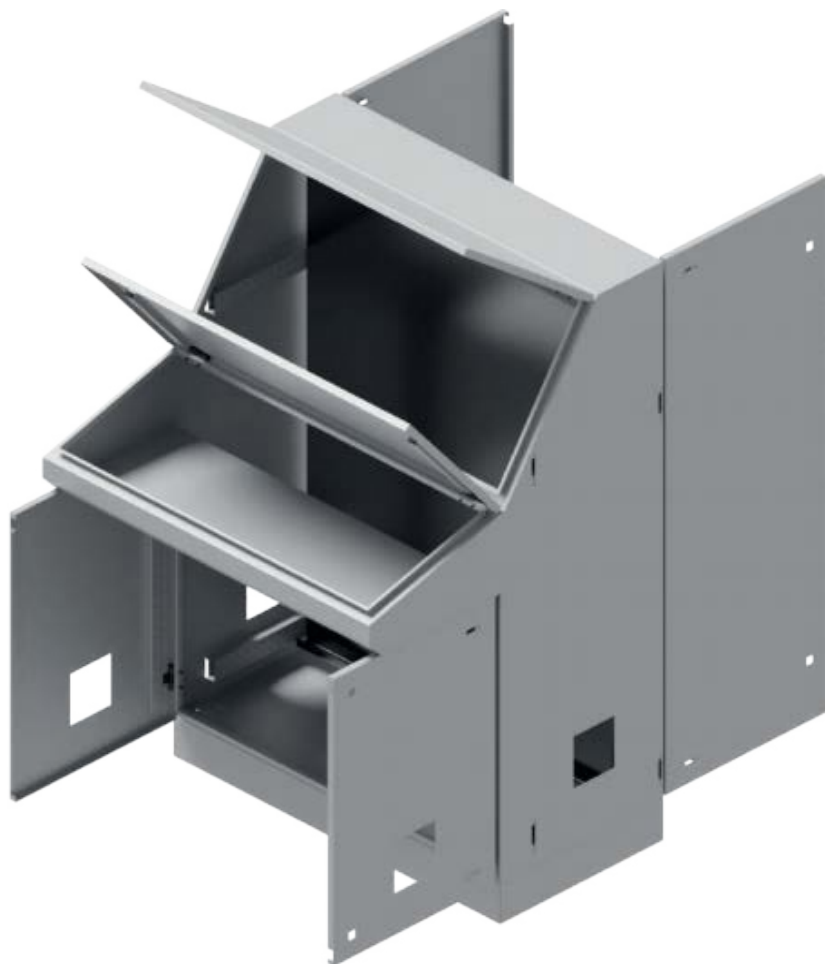
DESK CONSOLE

TECHNICAL SPECIFICATIONS	
Type	Welded
Design	Surface Mounted
Area of Use	Industrial
Protection Class	IP 55
Colors	RAL 7035
Paint	Electrostatic Powder Coating
Depth	500 mm
Width	600-1200 mm
Height	1400 mm
Door	Single Door: Width 60 cm and 80 cm Double door: Width 100 cm and 120 cm
Option	With Mounting Plate

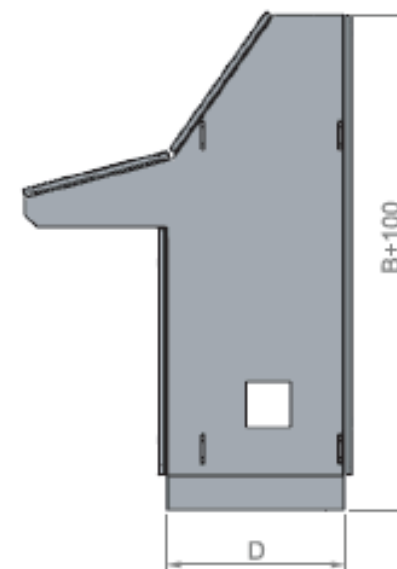
- When placing an order, the location of the openings on the doors for air filters, energy analyzers and alarms must be specified.
- Depending on preference, the doors can be equipped with glass.
- Possible to install a double mounting plate.
- If necessary, you can order a second mounting plate separately.



PLEASE CONTACT OUR REPRESENTATIVE FOR PRICES



PRODUCT CODE	WIDTH x HEIGHT x DEPTH (cm)	THICKNESS (mm)
NP.PI.60*140*50	60 x 140 x 50	1,2
NP.PI.80*140*50	80 x 140 x 50	1,2
NP.PI.100*140*50	100 x 140 x 50	1,2
NP.PI.120*140*50	120 x 140 x 50	1,2



PULT-TYPE CONSOLE

TECHNICAL SPECIFICATIONS	
Type	Welded
Design	Surface Mounted
Area of Use	Industrial
Protection Class	IP 55
Colors	RAL 7035
Paint	Electrostatic Powder Coating
Depth	500 mm
Width	400-1200 mm
Height	1200 mm
Door	Single-Double door
Option	With Mounting Plate

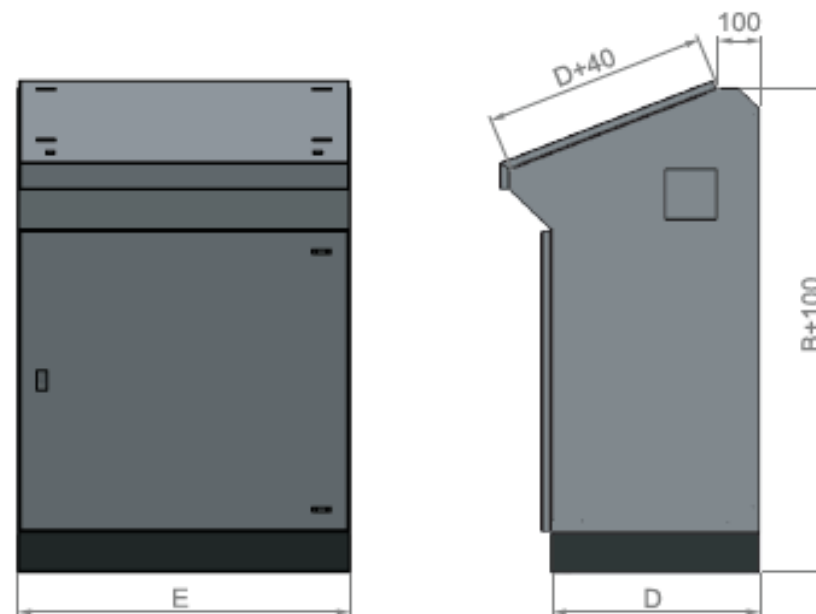
- When placing an order, the location of the openings on the doors for air filters, energy analyzers and alarms must be specified.
- Depending on preference, the doors can be equipped with glass.
- Possible to install a double mounting plate.
- If necessary, you can order a second mounting plate separately.



PLEASE CONTACT OUR REPRESENTATIVE FOR PRICES



PRODUCT CODE	WIDTH x HEIGHT x DEPTH (cm)	THICKNESS (mm)
NP.PT.40*120*30	40 x 120 x 30	1,2
NP.PT.60*120*40	60 x 120 x 40	1,2
NP.PT.80*120*40	80 x 120 x 40	1,2
NP.PT.100*120*50	100 x 120 x 50	1,2
NP.PT.120*120*50	120 x 120 x 50	1,2



KIOSK ENCLOSURE

TECHNICAL SPECIFICATIONS	
Type	Welded
Design	Floor standing
Area of Use	Industrial
Protection Class	IP 55
Colors	RAL 7035
Paint	Electrostatic Powder Coating
Depth	150-200 mm
Width	600 mm
Height	1400-1500 mm
Door	Back Door
Option	With Mounting Plate

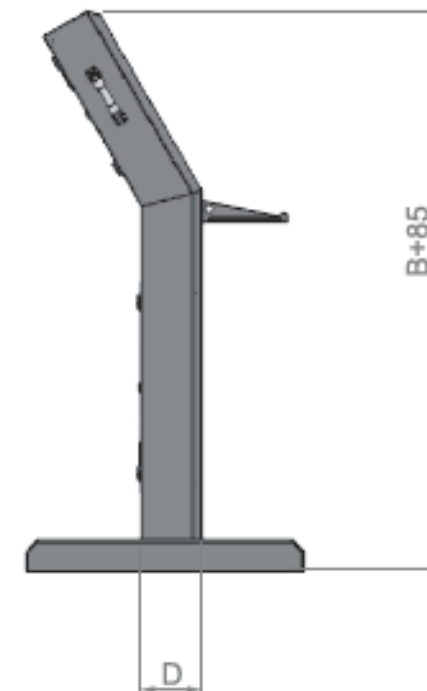
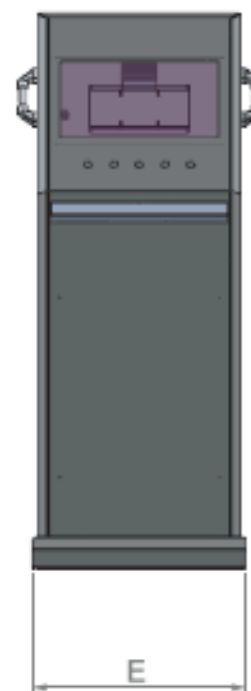
- The keyboard and monitor screen can be modified to suit your preferences.
- It can be produced with castors and can be fixed depending on your request.



PLEASE CONTACT OUR REPRESENTATIVE FOR PRICES



PRODUCT CODE	WIDTH x HEIGHT x DEPTH (cm)	OPTIONS
NP.KI.60*140*20	60 x 140 x 20	Fixed
NP.KI.60*150*15	60 x 140 x 15	Equipped with castors



ELEVATOR CONTROL BOARDS

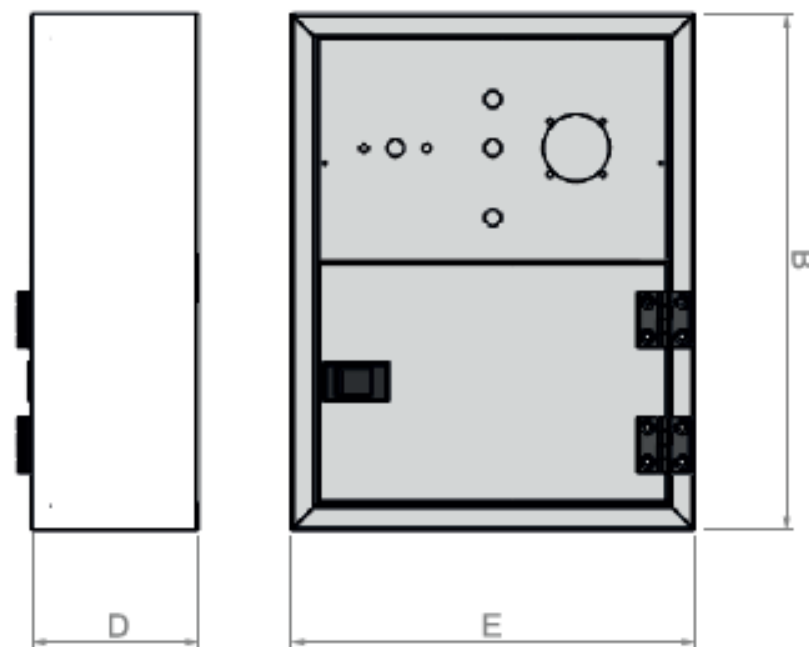
TECHNICAL SPECIFICATIONS	
Type	Welded (spot welding)
Design	Distribution Board
Area of Use	Industrial
Protection Class	IP 55
Colors	RAL 7035
Paint	Electrostatic Powder Coating
Depth	120 mm
Width	350 mm
Height	450 mm
Door	Single Door
Option	With Dead Front



PLEASE CONTACT OUR REPRESENTATIVE FOR PRICES



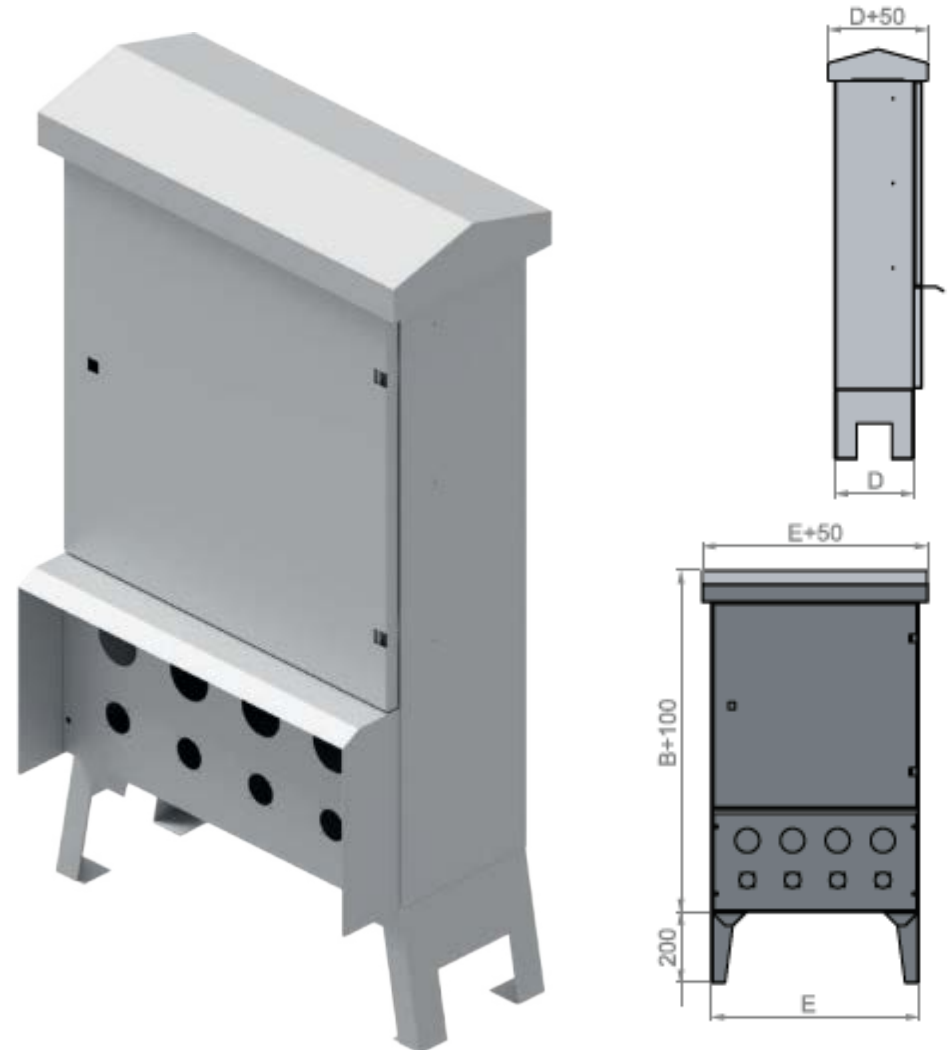
PRODUCT CODE	WIDTH x HEIGHT x DEPTH (cm)
NP.AP.35*45*12	35 x 45 x 12

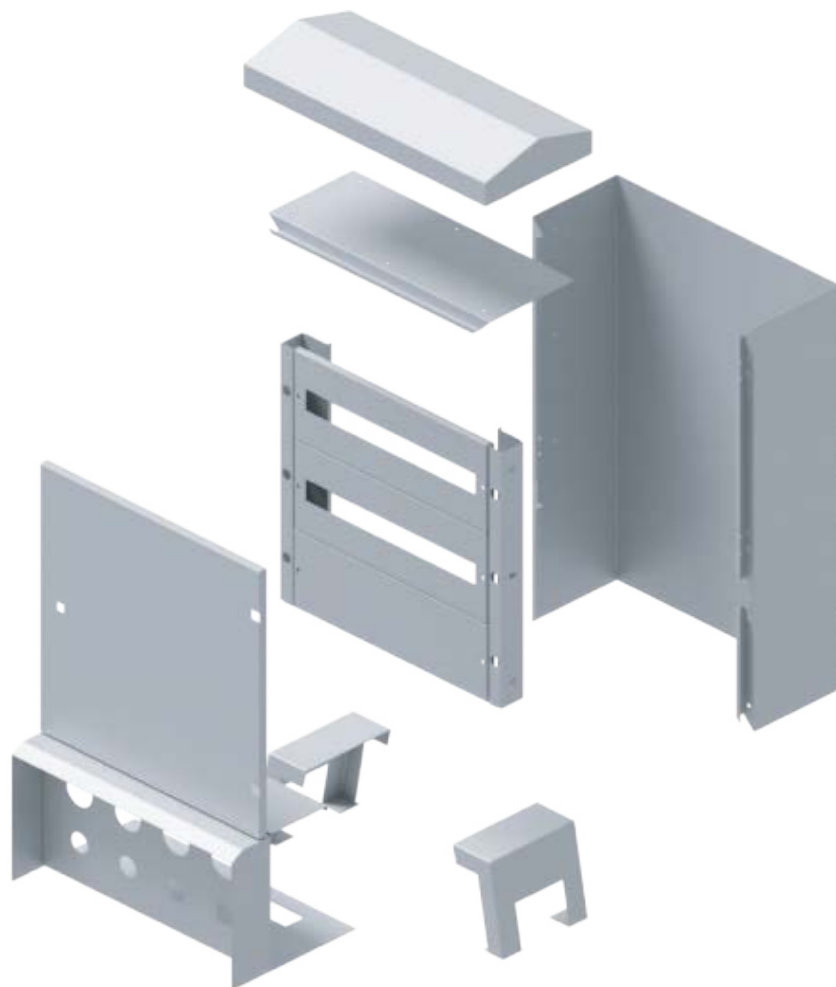


ENCLOSURE FOR CONSTRUCTION SITE INSTALLATION

TECHNICAL SPECIFICATIONS	
Type	Welded
Design	Distribution Board
Area of Use	Industrial
Protection Class	IP 55
Colors	RAL 7035
Paint	Electrostatic Powder Coating
Depth	200-400 mm
Width	400-900 mm
Height	800-1200 mm
Door	Double door
Option	With Mounting Plate

- Depending on your preference, it can be manufactured with or without socket.

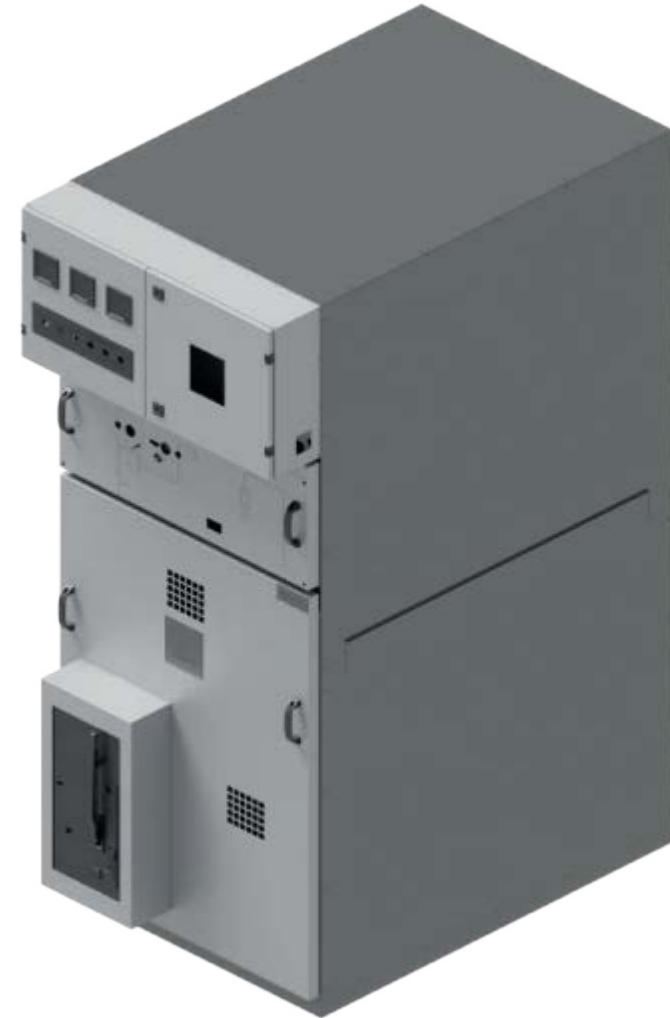




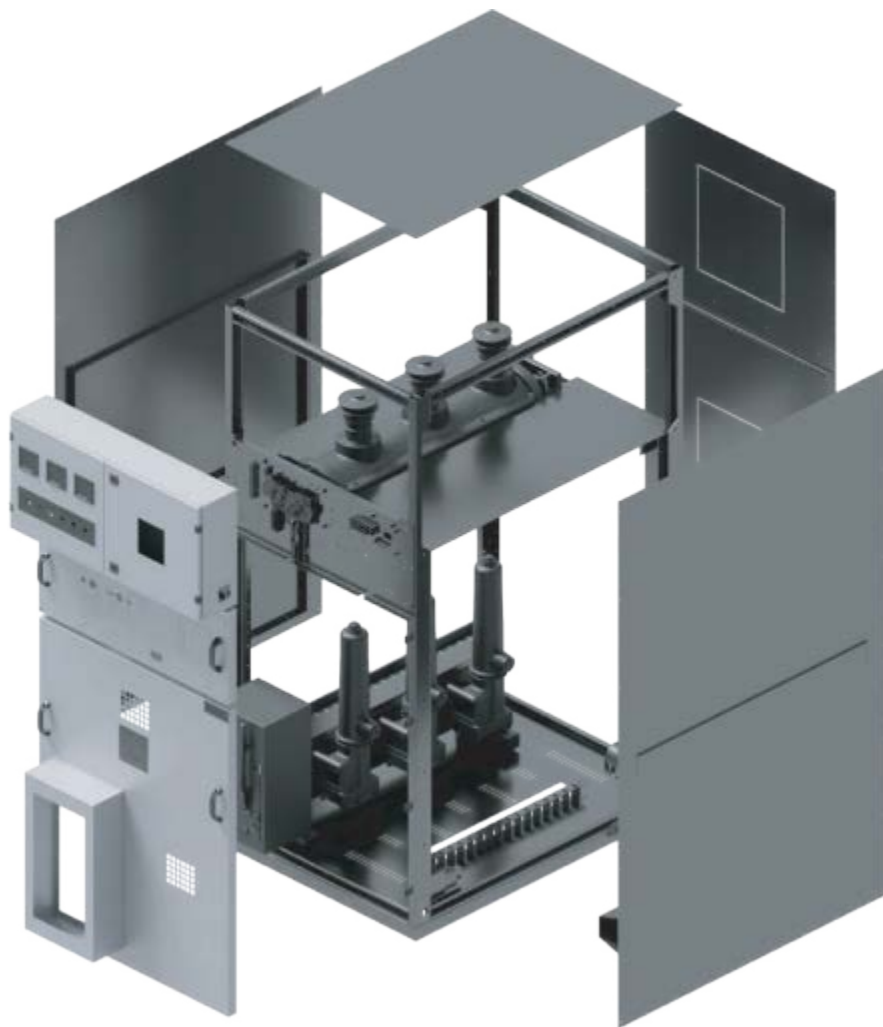
PRODUCT CODE	WIDTH x HEIGHT x DEPTH (cm)	THICKNESS (mm)	PRICE(\$)
NP.ŞP.40*80*20*1,2	40 x 80 x 20	1,2	366 \$
NP.ŞP.50*80*30*1,2	50 x 80 x 30	1,2	469 \$
NP.ŞP.60*115*25*1,2	60 x 115 x 25	1,2	664 \$
NP.ŞP.70*90*30*1,2	70 x 90 x 30	1,2	638 \$
NP.ŞP.80*100*35*1,2	80 x 100 x 35	1,2	796 \$
NP.ŞP.90*120*40*1,2	90 x 120 x 40	1,2	1048 \$
NP.ŞP.40*80*20*1	40 x 80 x 20	1	320 \$
NP.ŞP.50*80*30*1	50 x 80 x 30	1	411 \$
NP.ŞP.60*115*25*1	60 x 115 x 25	1	581 \$
NP.ŞP.70*90*30*1	70 x 90 x 30	1	558 \$
NP.ŞP.80*100*35*1	80 x 100 x 35	1	691 \$
NP.ŞP.90*120*40*1	90 x 120 x 40	1	911 \$

MEDIUM-VOLTAGE ENCLOSURE

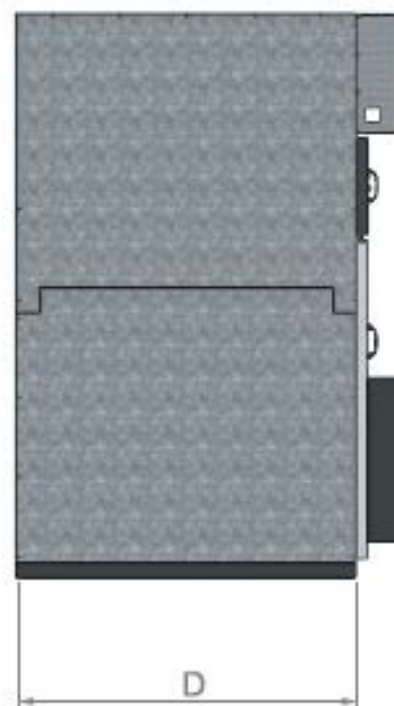
TECHNICAL SPECIFICATIONS	
Type	Floor standing
Design	Modular
Area of Use	Industrial
Protection Class	IP 55
Colors	RAL 7035
Paint	Electrostatic Powder Coating
Height	1800 mm



PLEASE CONTACT OUR REPRESENTATIVE FOR PRICES

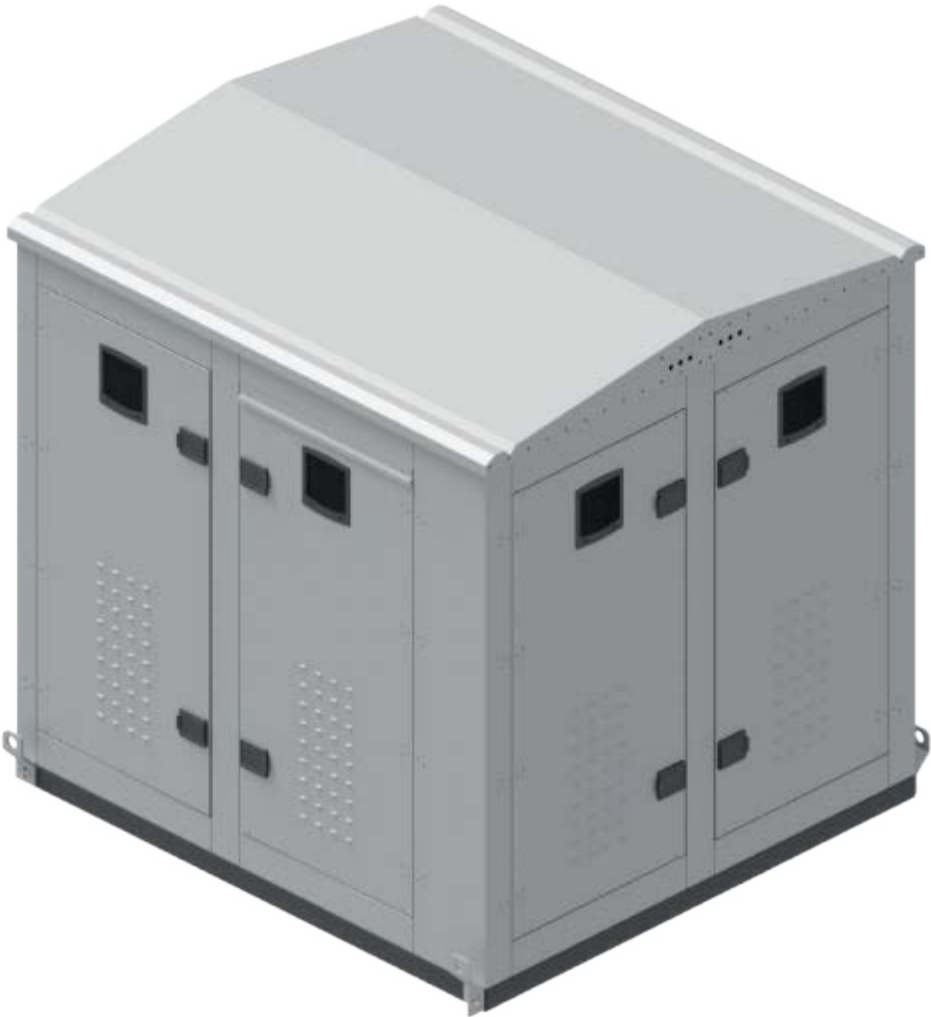


PRODUCT CODE	WIDTH x HEIGHT x DEPTH (cm)
NP.OG.70*180*50	70 x 180 x 50
NP.OG.120*180*60	120 x 180 x 60

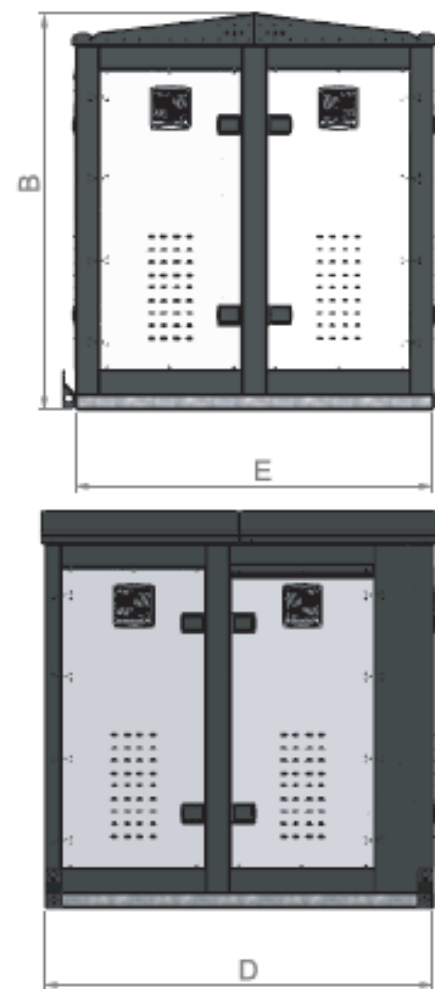
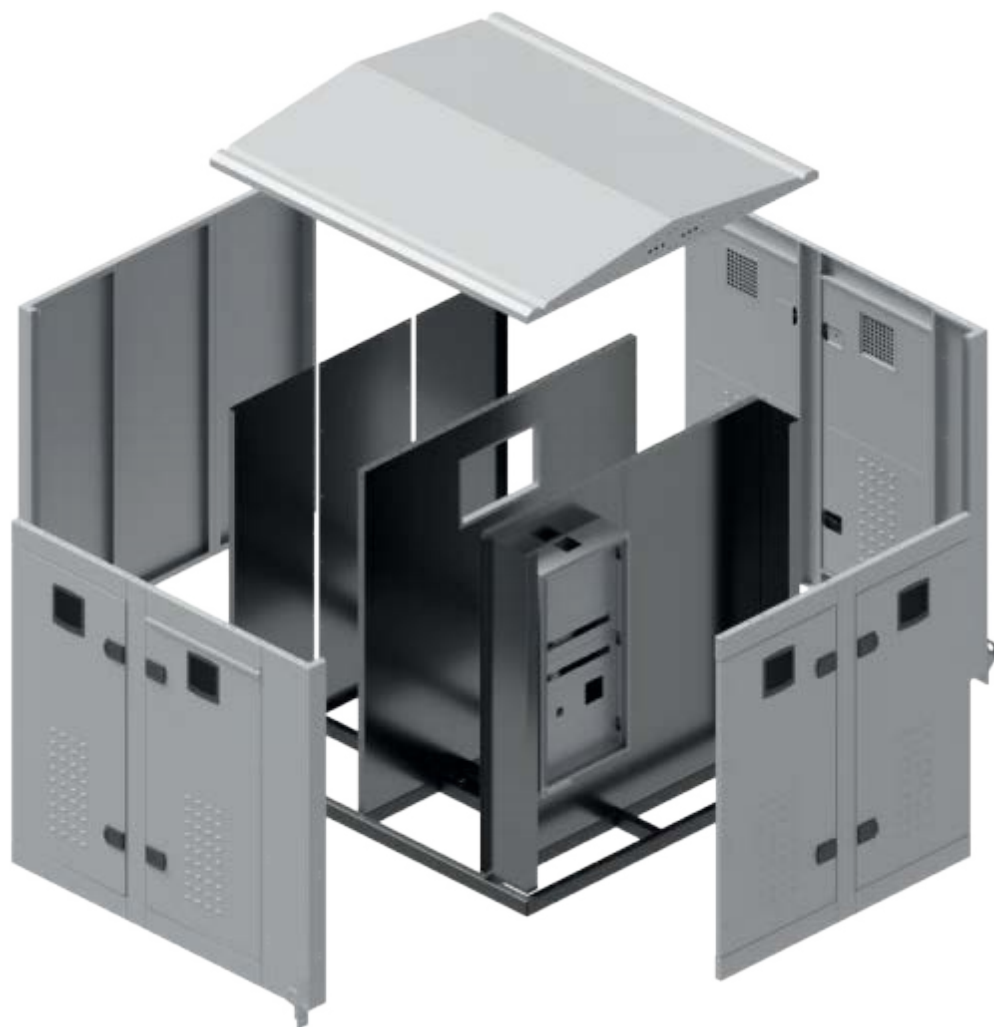


SUBSTATION KIOSKS

TECHNICAL SPECIFICATIONS	
Type	Welded
Design	Modular
Area of Use	Industrial
Protection Class	IP 55
Colors	RAL 7035
Paint	Electrostatic Powder Coating
Door	Double Door



PLEASE CONTACT OUR REPRESENTATIVE FOR PRICES



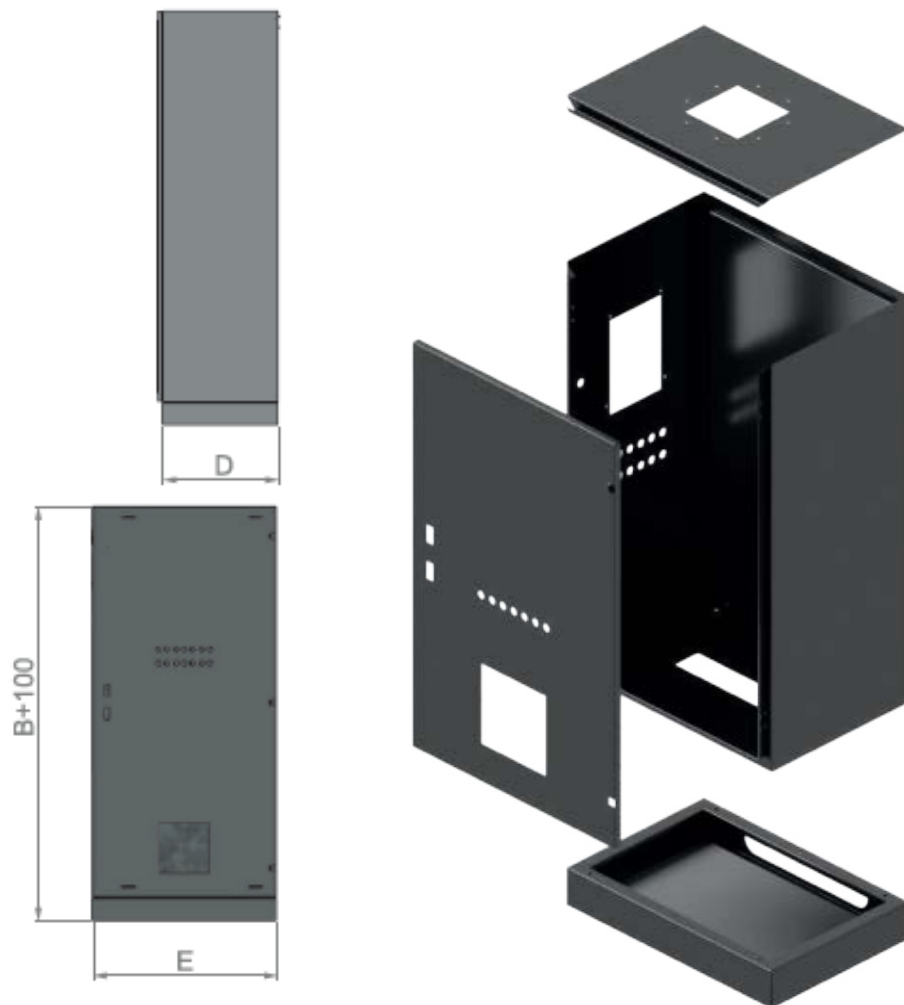
STAINLESS-STEEL ENCLOSURE WITH MOUNTING PLATE

TECHNICAL SPECIFICATIONS	
Type	Welded
Design	Surface Mounted
Area of Use	Industrial
Protection Class	IP 55
Material	304/316 stainless steel
Door	Single/Double door
Option	With Mounting Plate

- When placing an order, the location of the openings on the doors for air filters, energy analyzers and alarms must be specified.
- The opening direction of the door can be changed.
- Door is equipped with concealed hinges and a butterfly lock.
- Please specify the stainless-steel grade when placing your order.



PLEASE CONTACT OUR REPRESENTATIVE FOR PRICES.



PRODUCT CODE	WIDTH x HEIGHT x DEPTH (cm)	MOUNTING PLATE(mm)
NP.PS.40*40*15	40 x 40 x 15	330 X 330
NP.PS.40*120*20	40 x 120 x 20	330 X 1130
NP.PS.60*100*20	60 x 100 x 20	530 X 930
NP.PS.70*100*20	70 x 100 x 20	630 X 930
NP.PS.80*100*20	80 x 100 x 20	730 X 930
NP.PS.70*100*30	70 x 100 x 30	630 X 930
NP.PS.80*100*30	80 x 100 x 30	730 X 930
NP.PS.70*120*30	70 x 120 x 30	630 X 1130
NP.PS.80*120*30	80 x 120 x 30	730 X 1130
NP.PS.90*160*30	90 x 160 x 30	830 X 1530
NP.PS.80*180*50	80 x 180 x 50	730 X 1730
NP.PS.80*200*30	80 x 200 x 30	730 X 1930

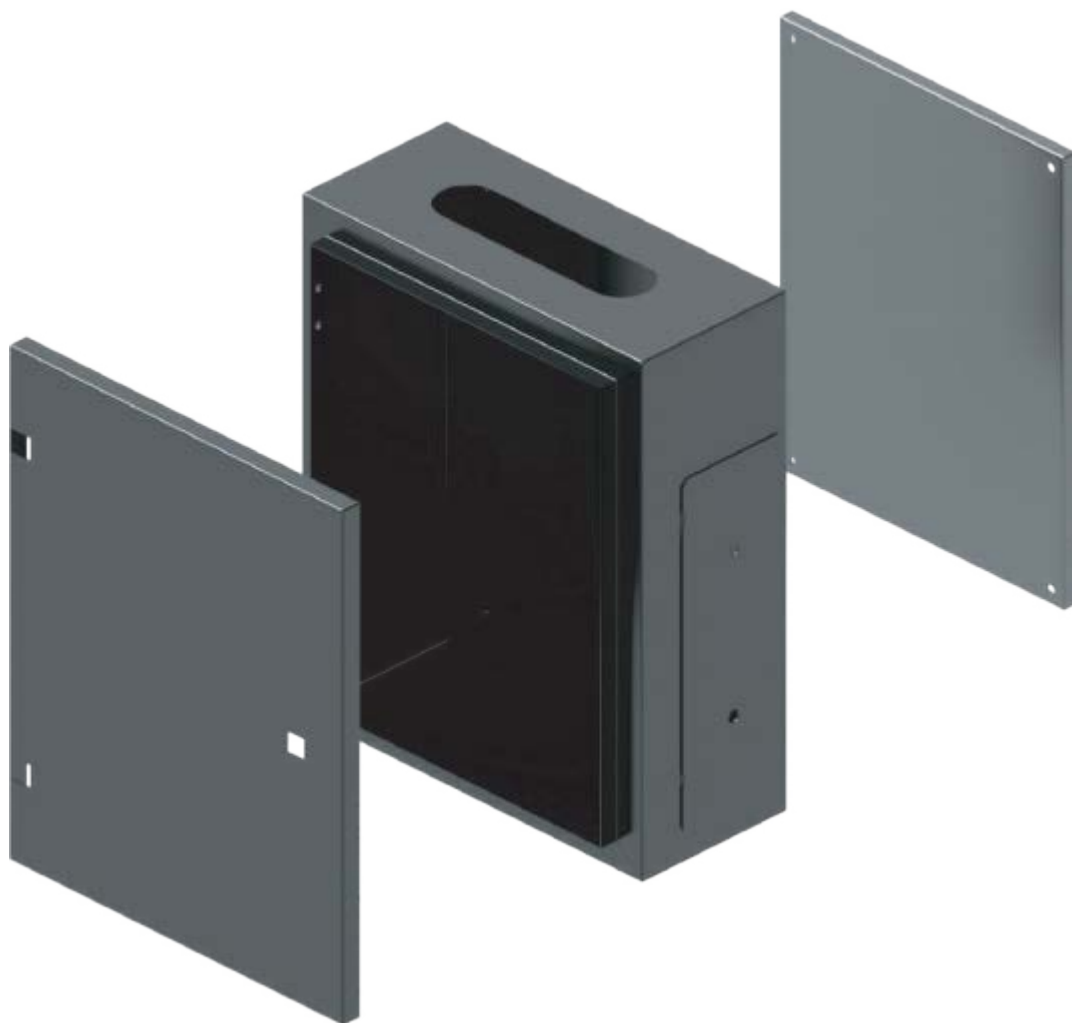
FLOOR STANDING SEMI-MODULAR STAINLESS-STEEL ENCLOSURE WITH MOUNTING PLATE

TECHNICAL SPECIFICATIONS	
Type	Semi-Modular
Design	Floor standing
Area of Use	Industrial
Protection Class	IP 55
Material	304 Stainless Steel
Door	Single/Double door
Option	With Mounting Plate

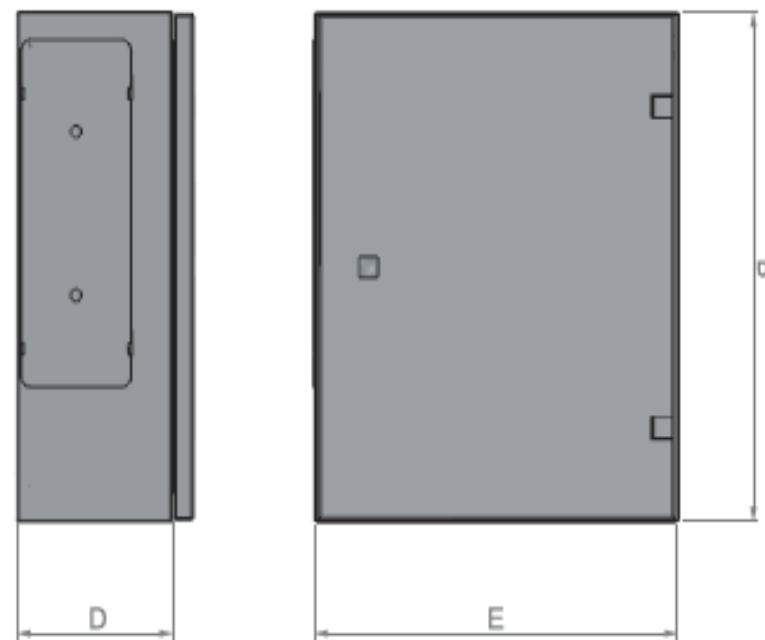
- When placing an order, the location of the openings on the doors for air filters, energy analyzers and alarms must be specified.
- The opening direction of the door can be changed.
- Door is equipped with concealed hinges and a butterfly lock.



PLEASE CONTACT OUR REPRESENTATIVE FOR PRICES



PRODUCT CODE	WIDTH x HEIGHT x DEPTH (cm)	MOUNTING PLATE (mm)
NP.PS.YM.40*160*40	40 x 160 x 40	330 X 1530
NP.PS.YM.80*200*60	80 x 200 x 60	730 X 1930



ABS ENCLOSURE WITH OPAQUE DOOR AND DEAD FRONT

TECHNICAL SPECIFICATIONS	
Design	Surface Mounted
Area of Use	Industrial
Protection Class	IP 65
Material	ABS
Door	Single Door
Colors	RAL 7035
Thermal resistance	-40°C / +80°C

PRODUCT CODE	WIDTH x HEIGHT x DEEPTH (cm)	PRICE (\$)
NP.AOP253515	25 x 35 x 15	52 \$
NP.AOP304017	30 x 40 x 17	70 \$
NP.AOP355019	35 x 50 x 19	94 \$
NP.AOP406020	40 x 60 x 20	123 \$



ABS ENCLOSURE WITH CLEAR DOOR AND DEAD FRONT

TECHNICAL SPECIFICATIONS	
Design	Surface Mounted
Area of Use	Industrial
Protection Class	IP 65
Material	ABS
Door	Single Door
Colors	RAL 7035
Thermal resistance	-40°C / +80°C



PRODUCT CODE	WIDTH x HEIGHT x DEPTH (cm)	PRICE (\$)
NP.ASP253515	25 x 35 x 15	57 \$
NP.ASP304017	30 x 40 x 17	75 \$
NP.ASP355019	35 x 50 x 19	115 \$
NP.ASP406020	40 x 60 x 20	148 \$

ABS ENCLOSURE WITH OPAQUE DOOR

TECHNICAL SPECIFICATIONS	
Design	Surface Mounted
Area of Use	Industrial
Protection Class	IP 65
Material	ABS
Door	Single Door
Colors	RAL 7035
Thermal resistance	-40°C / +80°C

PRODUCT CODE	WIDTH x HEIGHT x DEEPTH (cm)	PRICE (\$)
NP.AOK203013	20 x 30 x 13	27 \$
NP.AOK253515	25 x 35 x 15	37 \$
NP.AOK304017	30 x 40 x 17	45 \$
NP.AOK304022	30 x 40 x 22	53 \$
NP.AOK355019	35 x 50 x 19	67 \$
NP.AOK405018	40 x 50 x 18	70 \$
NP.AOK405024	40 x 50 x 24	82 \$
NP.AOK406020	40 x 60 x 20	85 \$
NP.AOK506023	50 x 60 x 23	129 \$
NP.AOK507025	50 x 70 x 25	145 \$
NP.AOK608028	60 x 80 x 28	251 \$



ABS ENCLOSURE WITH CLEAR DOOR

TECHNICAL SPECIFICATIONS	
Design	Surface Mounted
Area of Use	Industrial
Protection Class	IP 65
Material	ABS
Door	Single Door
Colors	RAL 7035
Thermal resistance	-40°C / +80°C

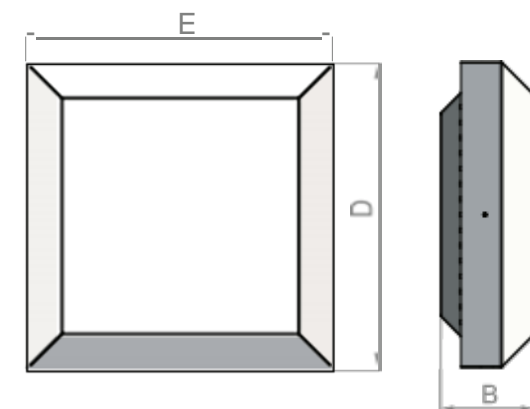
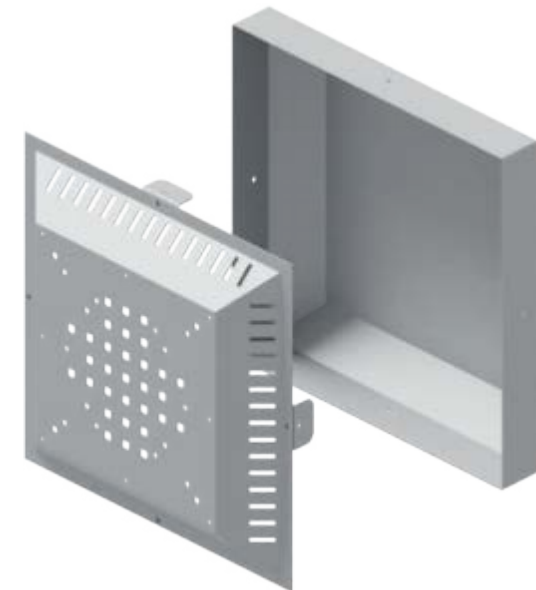
PRODUCT CODE	WIDTH x HEIGHT x DEPTH (cm)	PRICE (\$)
NP.ASK203013	20 x 30 x 13	29 \$
NP.ASK253515	25 x 35 x 15	40 \$
NP.ASK304017	30 x 40 x 17	48 \$
NP.ASK304022	30 x 40 x 22	55 \$
NP.ASK355019	35 x 50 x 19	72 \$
NP.ASK405018	40 x 50 x 18	77 \$
NP.ASK405024	40 x 50 x 24	93 \$
NP.ASK406020	40 x 60 x 20	95 \$
NP.ASK506023	50 x 60 x 23	151 \$
NP.ASK507025	50 x 70 x 25	171 \$
NP.ASK608028	60 x 80 x 28	251 \$



ROOF-TYPE VENTILATION FAN

TECHNICAL SPECIFICATIONS	
Design	Semi-Modular
Area of Use	Industrial
Protection Class	IP 32
Colors	RAL 7035
Paint	Electrostatic Powder Coating
Plate Thickness	1,5 mm
Material	DKP (Cold Rolled Steel)

PRODUCT CODE	PRODUCT NAME	PRICE (\$)
FAN	Empty Fan Module	35 \$
FAN.300	For 300m ³ FAN	80 \$
FAN.600	For 600m ³ FAN	147 \$
FAN.900	For 900m ³ FAN	261 \$



TECHNICAL SPECIFICATIONS	
Protection Class	IP 54
Colors	RAL 7035
Material	Plastic



PRODUCT CODE	PRODUCT NAME	PRICE (\$)
MEN.105*105	105 x 105 VENT. FILTER	2 \$
MEN.150*150	150 x 150 VENT. FILTER	4 \$
MEN.250*250	250 x 250 VENT. FILTER	12 \$
MEN.325*325	325 x 325 VENT. FILTER	17 \$

DATA POCKETS

TECHNICAL SPECIFICATIONS	
Type	Floor standing/ Wall-mounted
Area of Use	Industrial
Protection Class	IP 55
Colors	RAL 7035
Paint	Electrostatic Powder Coating
Plate Thickness	1 mm
Size	Optional

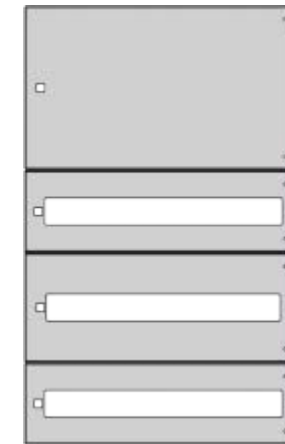
PRODUCT CODE	SIZE	PRICE (\$)
PC.1	175 x 200 x 25	12 \$
PC.2	225 x 230 x 25	18 \$



PLEASE CONTACT OUR REPRESENTATIVE FOR PRICES

DEAD FRONT	
TECHNICAL SPECIFICATIONS	
Type	Floor standing/Wall-mounted
Area of Use	Industrial
Protection Class	IP 55
Colors	RAL 7035
Paint	Electrostatic Powder Coating
Plate Thickness	1 mm
Size	Optional

MOUNTING PLATE	
TECHNICAL SPECIFICATIONS	
Type	Floor standing/Wall-mounted
Design	Modular
Area of Use	Industrial
Protection Class	IP 55
Plate Thickness	1,5 mm
Material	Galvanized steel
Size	Optional

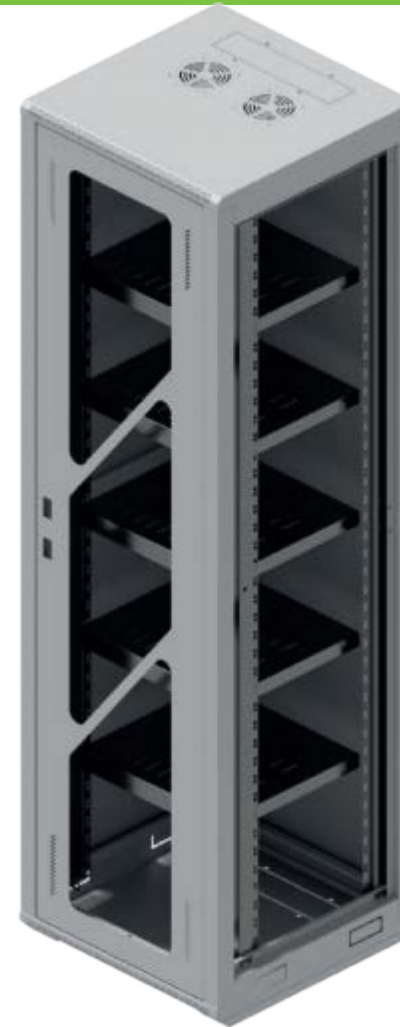


RACK CABINET

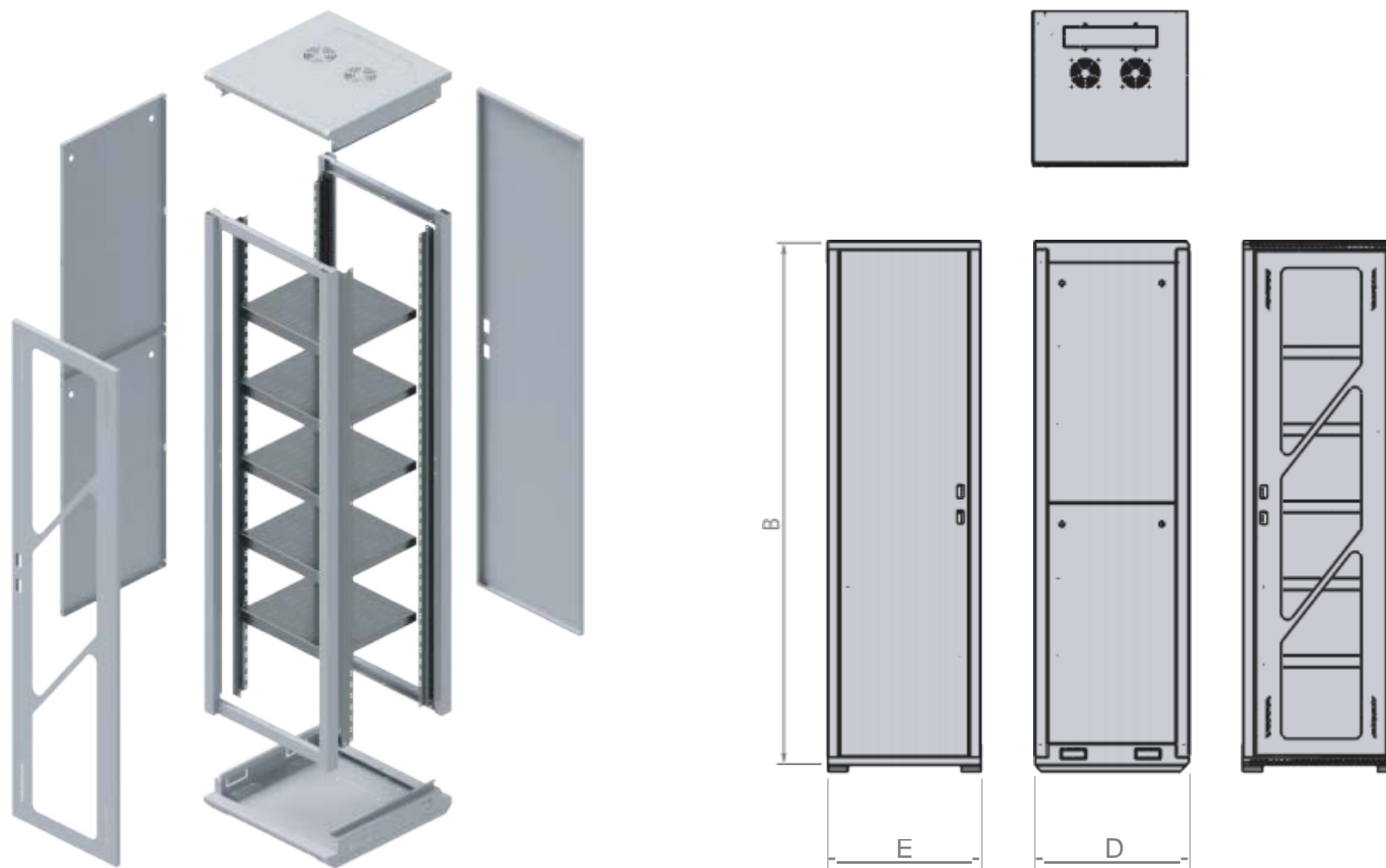
TECHNICAL SPECIFICATIONS

Type	Floor standing/Wall-mounted
Design	Modular
Area of Use	Industrial
Protection Class	IP 55
Paint	Electrostatic Powder Coating
Material	DKP (Cold Rolled Steel) - Galvanized steel
Size	Optional

- It is designed as a modular system compatible with ready-to-assemble system.
- The doors and side panels have air vents.
- The opening direction of the door can be changed.
- The doors are fitted with 3 mm thick tempered glass.
- We provide assistance in selecting the right fan module to protect the product from overheating.
- The door is installed with concealed hinges and an Espagnolette lock.
- Electrostatic Powder Coating is used.
- There is a cable pass-through with brush at the bottom of the housing.



PLEASE CONTACT OUR REPRESENTATIVE FOR PRICES



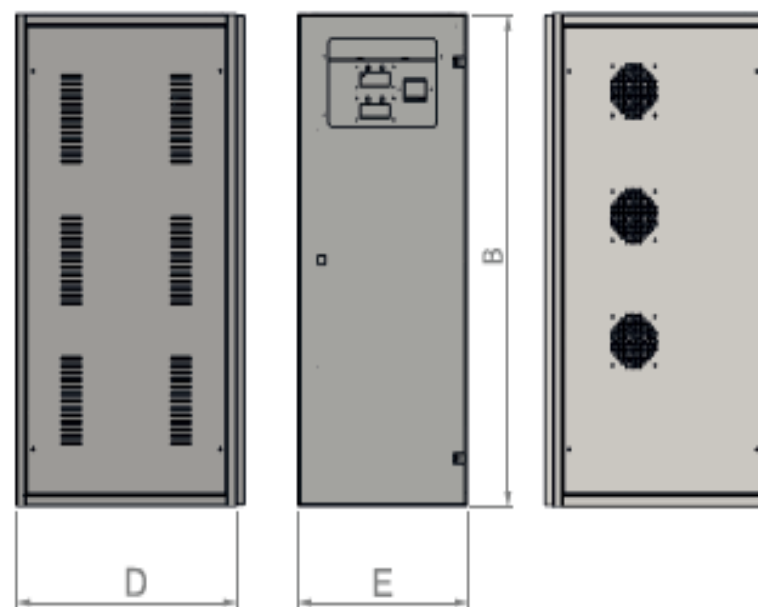
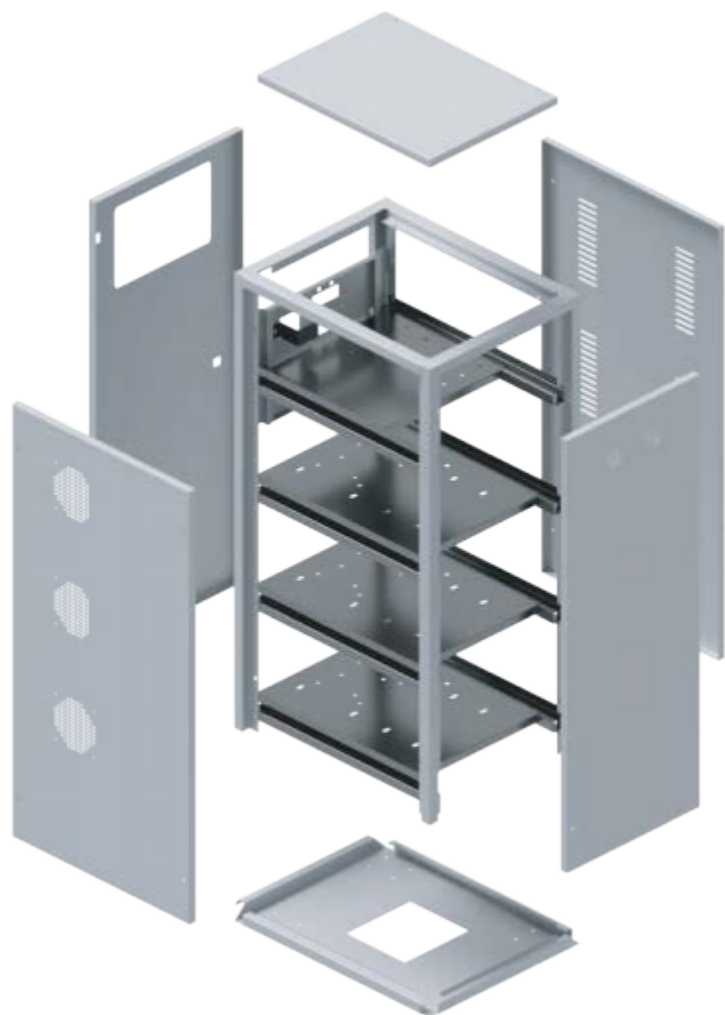
VOLTAGE REGULATOR ENCLOSURE

TECHNICAL SPECIFICATIONS	
Type	Floor standing/Wall-mounted
Design	Modular
Area of Use	Industrial
Protection Class	IP 55
Paint	Electrostatic Powder Coating
Material	DKP (Cold Rolled Steel) - Galvanized steel
Size	Optional

- It is designed as a modular system compatible with ready-to-assemble system.
- Door is equipped with concealed hinges and a butterfly lock.
- The opening direction of the door can be changed.
- The doors and side panels have air vents.
- Depending on the customer's needs, the product is available for both indoor and outdoor use.
- Electrostatic Powder Coating is used.
- To ensure protection against moisture and dust, the doors have a polyurethane seal.
- There is a cable pass-through at the bottom of the housing.

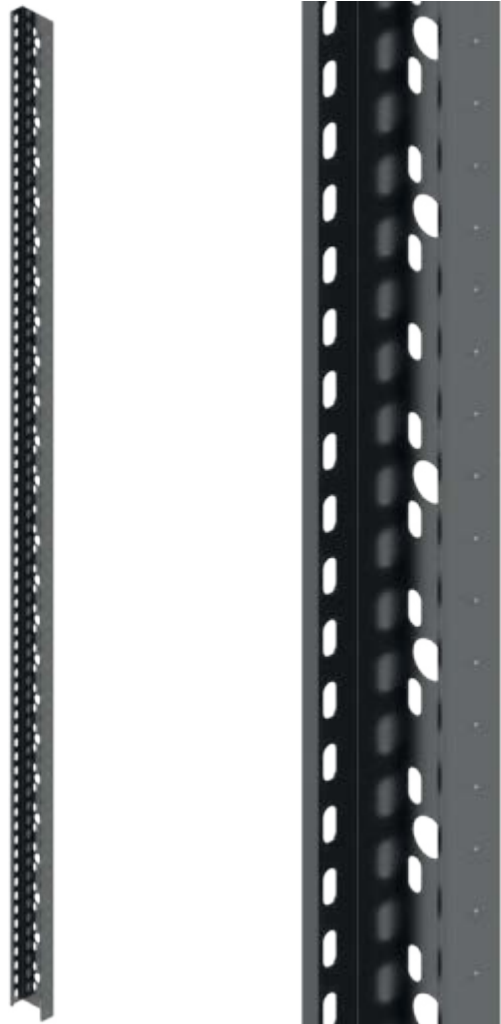


PLEASE CONTACT OUR REPRESENTATIVE FOR PRICES



HEAVY-DUTY CABLE TRAYS

PLEASE CONTACT OUR REPRESENTATIVE FOR PRICES



H:40 HEAVY-DUTY CABLE TRAYS

PRODUCT CODE	PRODUCT DESCRIPTION	WIDTH x LENGHT x THICKNESS (mm)
KN.50*40*0,8	50*40*0,8 Cable tray	50 x 40 x 0,8
KN.70*40*0,8	70*40*0,8 Cable tray	70 x 40 x 0,8
KN.100*40*0,8	100*40*0,8 Cable tray	100 x 40 x 0,8
KN.120*40*0,8	120*40*0,8 Cable tray	120 x 40 x 0,8
KN.160*40*0,8	160*40*0,8 Cable tray	160 x 40 x 0,8
KN.200*40*0,8	200*40*0,8 Cable tray	200 x 40 x 0,8
KN.50*40*1	50*40*1 Cable tray	50 x 40 x 1
KN.70*40*1	70*40*1 Cable tray	70 x 40 x 1
KN.100*40*1	100*40*1 Cable tray	100 x 40 x 1
KN.120*40*1	120*40*1 Cable tray	120 x 40 x 1
KN.160*40*1	160*40*1 Cable tray	160 x 40 x 1
KN.200*40*1	200*40*1 Cable tray	200 x 40 x 1
KN.50*40*1,2	50*40*1,2 Cable tray	50 x 40 x 1,2
KN.70*40*1,2	70*40*1,2 Cable tray	70 x 40 x 1,2
KN.100*40*1,2	100*40*1,2 Cable tray	100 x 40 x 1,2
KN.120*40*1,2	120*40*1,2 Cable tray	120 x 40 x 1,2
KN.160*40*1,2	160*40*1,2 Cable tray	160 x 40 x 1,2
KN.200*40*1,2	200*40*1,2 Cable tray	200 x 40 x 1,2

PRODUCT CODE	PRODUCT DESCRIPTION	WIDTH x LENGHT x THICKNESS (mm)
KN.50*40*1,5	50*40*1,5 Cable tray	50 x 40 x 1,5
KN.70*40*1,5	70*40*1,5 Cable tray	70 x 40 x 1,5
KN.100*40*1,5	100*40*1,5 Cable tray	100 x 40 x 1,5
KN.120*40*1,5	120*40*1,5 Cable tray	120 x 40 x 1,5
KN.160*40*1,5	160*40*1,5 Cable tray	160 x 40 x 1,5
KN.200*40*1,5	200*40*1,5 Cable tray	200 x 40 x 1,5
KN.50*40*2	50*40*2 Cable tray	50 x 40 x 2
KN.70*40*2	70*40*2 Cable tray	70 x 40 x 2
KN.100*40*2	100*40*2 Cable tray	100 x 40 x 2
KN.120*40*2	120*40*2 Cable tray	120 x 40 x 2
KN.160*40*2	160*40*2 Cable tray	160 x 40 x 2
KN.200*40*2	200*40*2 Cable tray	200 x 40 x 2

· Standard length is 2500 mm.

H:50 HEAVY-DUTY CABLE TRAYS

PRODUCT CODE	PRODUCT DESCRIPTION	WIDTH x LENGHT x THICKNESS (mm)
KN.50*50*0,8	50*50*0,8 Cable tray	50 x 50 x 0,8
KN.70*50*0,8	70*50*0,8 Cable tray	70 x 50 x 0,8
KN.100*50*0,8	100*50*0,8 Cable tray	100 x 50 x 0,8
KN.120*50*0,8	120*50*0,8 Cable tray	120 x 50 x 0,8
KN.160*50*0,8	160*50*0,8 Cable tray	160 x 50 x 0,8
KN.200*50*0,8	200*50*0,8 Cable tray	200 x 50 x 0,8
KN.50*50*1	50*50*1 Cable tray	50 x 50 x 1
KN.70*50*1	70*50*1 Cable tray	70 x 50 x 1
KN.100*50*1	100*50*1 Cable tray	100 x 50 x 1
KN.120*50*1	120*50*1 Cable tray	120 x 50 x 1
KN.160*50*1	160*50*1 Cable tray	160 x 50 x 1
KN.200*50*1	200*50*1 Cable tray	200 x 50 x 1
KN.50*50*1,2	50*50*1,2 Cable tray	50 x 50 x 1,2
KN.70*50*1,2	70*50*1,2 Cable tray	70 x 50 x 1,2
KN.100*50*1,2	100*50*1,2 Cable tray	100 x 50 x 1,2
KN.120*50*1,2	120*50*1,2 Cable tray	120 x 50 x 1,2
KN.160*50*1,2	160*50*1,2 Cable tray	160 x 50 x 1,2
KN.200*50*1,2	200*50*1,2 Cable tray	200 x 50 x 1,2

PRODUCT CODE	PRODUCT DESCRIPTION	WIDTH x LENGHT x THICKNESS (mm)
KN.50*50*1,5	50*50*1,5 Cable tray	50 x 50 x 1,5
KN.70*50*1,5	70*50*1,5 Cable tray	70 x 50 x 1,5
KN.100*50*1,5	100*50*1,5 Cable tray	100 x 50 x 1,5
KN.120*50*1,5	120*50*1,5 Cable tray	120 x 50 x 1,5
KN.160*50*1,5	160*50*1,5 Cable tray	160 x 50 x 1,5
KN.200*50*1,5	200*50*1,5 Cable tray	200 x 50 x 1,5
KN.50*50*2	50*50*2 Cable tray	50 x 50 x 2
KN.70*50*2	70*50*2 Cable tray	70 x 50 x 2
KN.100*50*2	100*50*2 Cable tray	100 x 50 x 2
KN.120*50*2	120*50*2 Cable tray	120 x 50 x 2
KN.160*50*2	160*50*2 Cable tray	160 x 50 x 2
KN.200*50*2	200*50*2 Cable tray	200 x 50 x 2

· Standard length is 2500 mm.

H:60 HEAVY-DUTY CABLE TRAYS

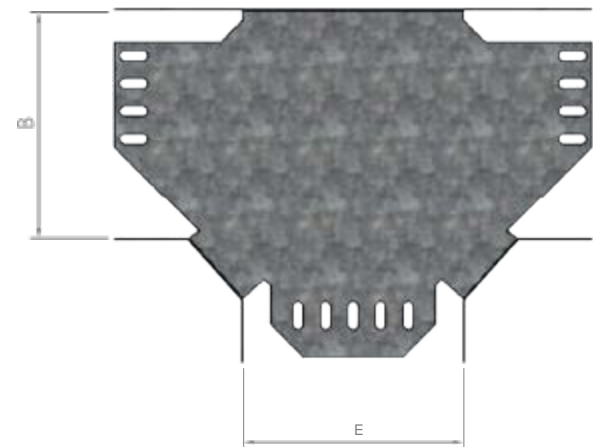
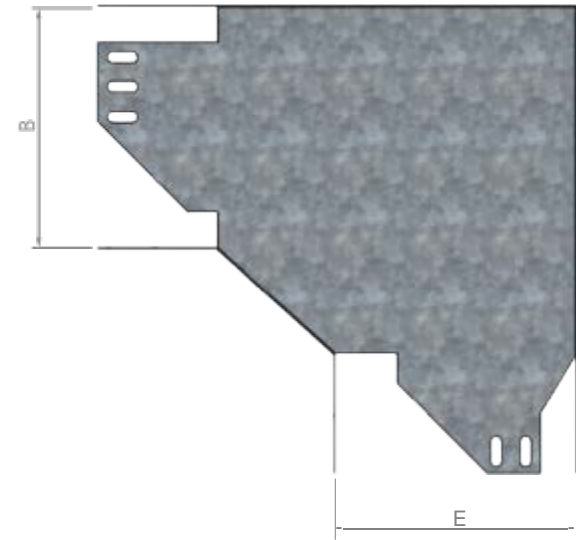
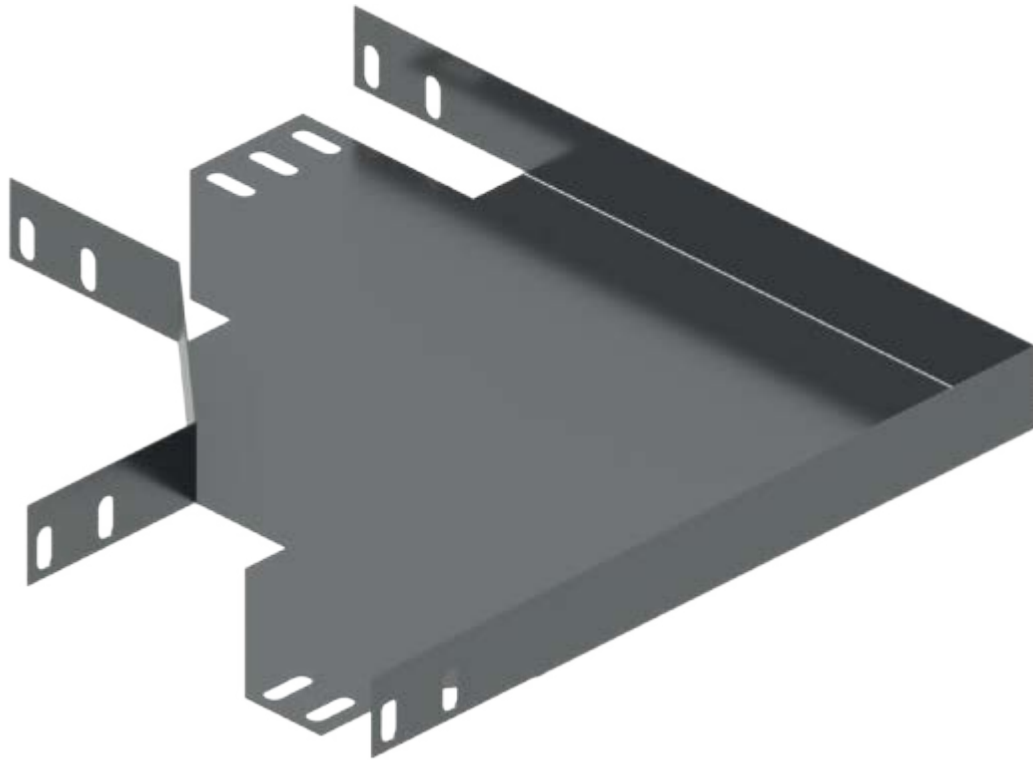
PRODUCT CODE	PRODUCT DESCRIPTION	WIDTH x LENGHT x THICKNESS (mm)
KN.50*60*0,8	50*60*0,8 Cable tray	50 x 60 x 0,8
KN.70*60*0,8	70*60*0,8 Cable tray	70 x 60 x 0,8
KN.100*60*0,8	100*60*0,8 Cable tray	100 x 60 x 0,8
KN.120*60*0,8	120*60*0,8 Cable tray	120 x 60 x 0,8
KN.160*60*0,8	160*60*0,8 Cable tray	160 x 60 x 0,8
KN.200*60*0,8	200*60*0,8 Cable tray	200 x 60 x 0,8
KN.50*60*1	50*60*1 Cable tray	50 x 60 x 1
KN.70*60*1	70*60*1 Cable tray	70 x 60 x 1
KN.100*60*1	100*60*1 Cable tray	100 x 60 x 1
KN.120*60*1	120*60*1 Cable tray	120 x 60 x 1
KN.160*60*1	160*60*1 Cable tray	160 x 60 x 1
KN.200*60*1	200*60*1 Cable tray	200 x 60 x 1
KN.50*60*1,2	50*60*1,2 Cable tray	50 x 60 x 1,2
KN.70*60*1,2	70*60*1,2 Cable tray	70 x 60 x 1,2
KN.100*60*1,2	100*60*1,2 Cable tray	100 x 60 x 1,2
KN.120*60*1,2	120*60*1,2 Cable tray	120 x 60 x 1,2
KN.160*60*1,2	160*60*1,2 Cable tray	160 x 60 x 1,2
KN.200*60*1,2	200*60*1,2 Cable tray	200 x 60 x 1,2

PRODUCT CODE	PRODUCT DESCRIPTION	WIDTH x LENGHT x THICKNESS (mm)
KN.50*60*1,5	50*60*1,5 Кабельный лоток	50 x 60 x 1,5
KN.70*60*1,5	70*60*1,5 Кабельный лоток	70 x 60 x 1,5
KN.100*60*1,5	100*60*1,5 Кабельный лоток	100 x 60 x 1,5
KN.120*60*1,5	120*60*1,5 Кабельный лоток	120 x 60 x 1,5
KN.160*60*1,5	160*60*1,5 Кабельный лоток	160 x 60 x 1,5
KN.200*60*1,5	200*60*1,5 Кабельный лоток	200 x 60 x 1,5
KN.50*60*2	50*60*2 Кабельный лоток	50 x 60 x 2
KN.70*60*2	70*60*2 Кабельный лоток	70 x 60 x 2
KN.100*60*2	100*60*2 Кабельный лоток	100 x 60 x 2
KN.120*60*2	120*60*2 Кабельный лоток	120 x 60 x 2
KN.160*60*2	160*60*2 Кабельный лоток	160 x 60 x 2
KN.200*60*2	200*60*2 Кабельный лоток	200 x 60 x 2

· Standard length is 2500 mm

TRAY BENDS

PLEASE CONTACT OUR REPRESENTATIVE FOR PRICES



H:40 90-DEGREES / T-SHAPED / 4-WAY TRAY BENDS

H:40 90 DEGREES HORIZONTAL BENDS

PRODUCT CODE	PRODUCT DESCRIPTION	WIDTH x LENGHT x THICKNESS (mm)
YD.50*40*1,2	50*40*1,2 Horizontal Bends	50 x 40 x 1,2
YD.70*40*1,2	70*40*1,2 Horizontal Bends	70 x 40 x 1,2
YD.100*40*1,2	100*40*1,2 Horizontal Bends	100 x 40 x 1,2
YD.120*40*1,2	120*40*1,2 Horizontal Bends	120 x 40 x 1,2
YD.160*40*1,2	160*40*1,2 Horizontal Bends	160 x 40 x 1,2
YD.200*40*1,2	200*40*1,2 Horizontal Bends	200 x 40 x 1,2

H:40 T-SHAPED TRAY BENDS

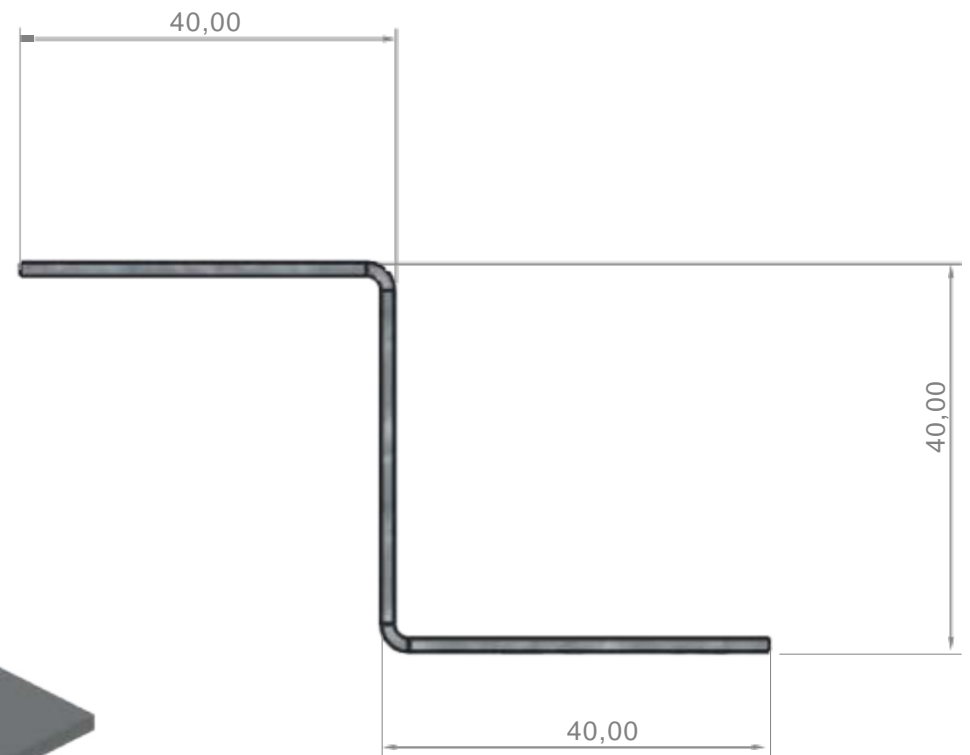
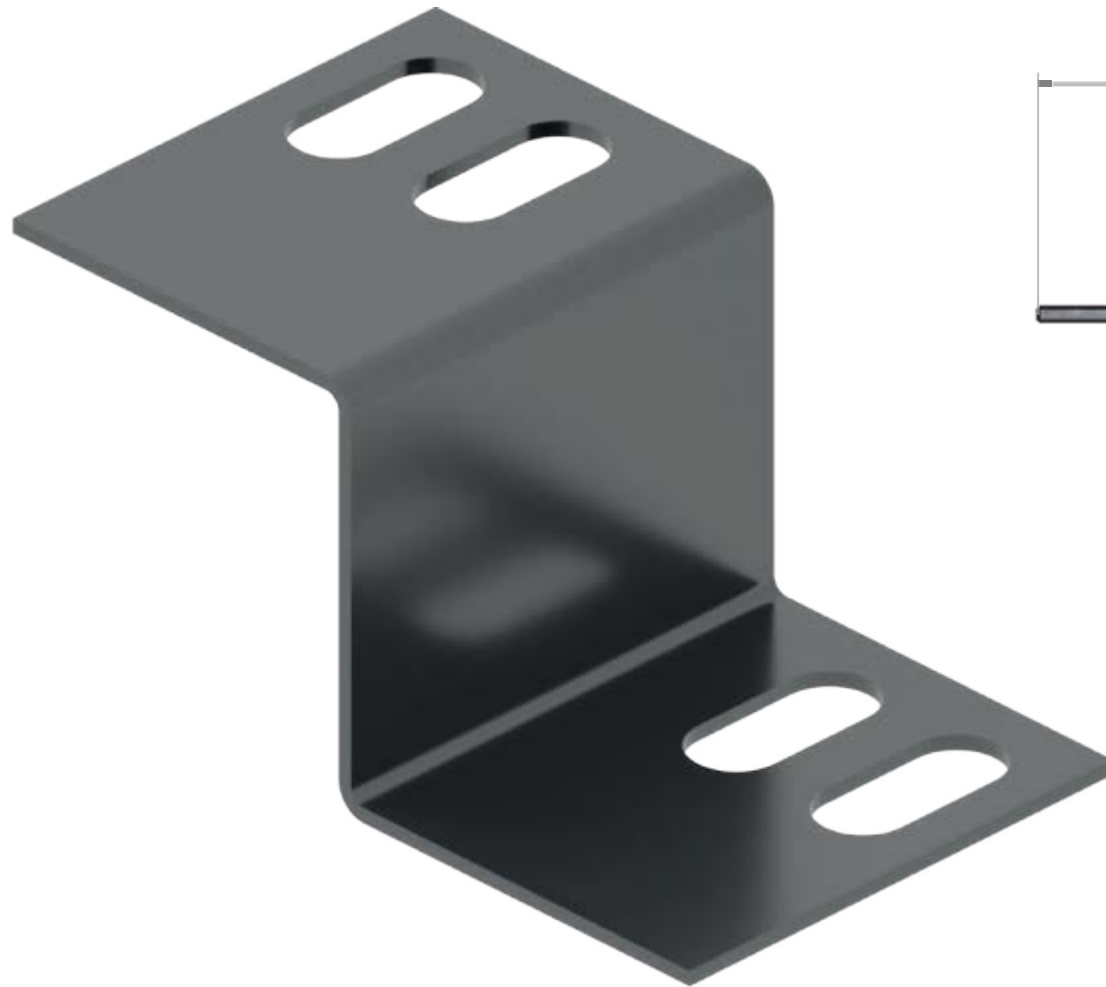
PRODUCT CODE	PRODUCT DESCRIPTION	WIDTH x LENGHT x THICKNESS (mm)
TD.50*40*1,2	50*40*1,2 T-Shaped Bends	50 x 40 x 1,2
TD.70*40*1,2	70*40*1,2 T-Shaped Bends	70 x 40 x 1,2
TD.100*40*1,2	100*40*1,2 T-Shaped Bends	100 x 40 x 1,2
TD.120*40*1,2	120*40*1,2 T-Shaped Bends	120 x 40 x 1,2
TD.160*40*1,2	160*40*1,2 T-Shaped Bends	160 x 40 x 1,2
TD.200*40*1,2	200*40*1,2 T-Shaped Bends	200 x 40 x 1,2

H:40 QUADRUPLE TRAY BENDS

PRODUCT CODE	PRODUCT DESCRIPTION	WIDTH x LENGHT x THICKNESS (mm)
DD.50*40*1,2	50*40*1,2 4-Way Bends	50 x 40 x 1,2
DD.70*40*1,2	70*40*1,2 4-Way Bends	70 x 40 x 1,2
DD.100*40*1,2	100*40*1,2 4-Way Bends	100 x 40 x 1,2
DD.120*40*1,2	120*40*1,2 4-Way Bends	120 x 40 x 1,2
DD.160*40*1,2	160*40*1,2 4-Way Bends	160 x 40 x 1,2
DD.200*40*1,2	200*40*1,2 4-Way Bends	200 x 40 x 1,2

TRAY REDUCER

PLEASE CONTACT OUR REPRESENTATIVE FOR PRICES



H:40 LEFT HAND/ STRAIGHT / RIGHT HAND REDUCER

H:40 LEFT HAND REDUCER

PRODUCT CODE	PRODUCT DESCRIPTION	WIDTH x LENGHT x THICKNESS (mm)
ZR.50*40*1,5	50*40*1,5 Z Left Hand Reducer	50 x 40 x 1,5
ZR.70*40*1,5	70*40*1,5 Z Left Hand Reducer	70 x 40 x 1,5
ZR.100*40*1,5	100*40*1,5 Z Left Hand Reducer	100 x 40 x 1,5
ZR.120*40*1,5	120*40*1,5 Z Left Hand Reducer	120 x 40 x 1,5
ZR.160*40*1,5	160*40*1,5 Z Left Hand Reducer	160 x 40 x 1,5
ZR.200*40*1,5	200*40*1,5 Z Left Hand Reducer	200 x 40 x 1,5

H:40 STRAIGHT REDUCER

PRODUCT CODE	PRODUCT DESCRIPTION	WIDTH x LENGHT x THICKNESS (mm)
ZO.50*40*1,5	50*40*1,5 Z Straight Reducer	50 x 40 x 1,5
ZO.70*40*1,5	70*40*1,5 Z Straight Reducer	70 x 40 x 1,5
ZO.100*40*1,5	100*40*1,5 Z Straight Reducer	100 x 40 x 1,5
ZO.120*40*1,5	120*40*1,5 Z Straight Reducer	120 x 40 x 1,5
ZO.160*40*1,5	160*40*1,5 Z Straight Reducer	160 x 40 x 1,5
ZO.200*40*1,5	200*40*1,5 Z Straight Reducer	200 x 40 x 1,5

H:40 RIGHT REDUCER

PRODUCT CODE	PRODUCT DESCRIPTION	WIDTH x LENGHT x THICKNESS (mm)
ZSR.50*40*1,5	50*40*1,5 Z Right Hand Reducer	50 x 40 x 1,5
ZSR.70*40*1,5	70*40*1,5 Z Right Hand Reducer	70 x 40 x 1,5
ZSR.100*40*1,5	100*40*1,5 Z Right Hand Reducer	100 x 40 x 1,5
ZSR.120*40*1,5	120*40*1,5 Z Right Hand Reducer	120 x 40 x 1,5
ZSR.160*40*1,5	160*40*1,5 Z Right Hand Reducer	160 x 40 x 1,5
ZSR.200*40*1,5	200*40*1,5 Z Right Hand Reducer	200 x 40 x 1,5

OUR CERTIFICATIONS

UYGUNLUK BEYANI ONAY SERTİFİKASI
DECLARATION OF CONFORMITY APPROVAL CERTIFICATE

Belirli Gerilim Sınırları İçin Tasarlanan
Elektrikli Ekipman İle İlgili Yönetmelik - 2014/35/AB
The Low Voltage Directive - 2014/35/EU

Belge Numarası / Certificate Number: CE 24-005-0190
Kuruluşun Adı / Name of Company: NİLAS ÇELİK SANAYİ TİCARET ANONİM ŞİRKETİ
Kuruluşun Adresi / Address of Company: SAĞLIK MAH. SOĞUKSU CAD. INTEGRAL ENDÜSTRİ BLOK NO 1A ERGENE / TEKİRDAĞ
Üretim Yeri Adı / Name of Manufacture: NİLAS ÇELİK SANAYİ TİCARET ANONİM ŞİRKETİ
Üretim Yeri Adresi / Address of Manufacture: SAĞLIK MAH. SOĞUKSU CAD. INTEGRAL ENDÜSTRİ BLOK NO 1A ERGENE / TEKİRDAĞ
Ürün Tanımı / Product Description: İÇİMLİ VE HARİCİ TİP BOŞ MAHAFAZALAR / INTERNAL AND EXTERNAL TYPE EMPTY ENCLOSEURES
Ticari Marka / Trade Mark: NİLPA ELEKTRİK PANO SİSTEMLERİ

Model / Model: Harici Dahil DNR Tip Aşağı Panel, Harici Dahil DNR Tip Terakü Mavi Panel, Harici Dahil DNR Tip Siyah Panel, Panelin Sağ Solu Sırt Açık Üstü, Tavanlı Mavi, Tabanlı Siyah Aşağı - Sırt Üstü, Piyano Panel, Harici Panelin Sağ Solu, Harici Tabanlı Terakü Mavi

İlgili Yönetmelik(ler) / Relevant Directive(s): 2014/35/AB BELİRLİ GERİLİM SINIRLARI İÇİN TASARLANAN ELEKTRİKSEL EKİPMAN İLE İLGİLİ YÖNETMELİK / 2014/35/EU THE LOW VOLTAGE DIRECTIVE

İlgili Standart(ler) / Relevant Standard(s): TS EN IEC 62208:2023

Rapor Numarası / Report Number: 23-2010-RD-11-1

İlk Belgelendirme Tarihi / First Certification Date: 11.01.2024
Yeni Yayın Tarihi / New Issue Date: 11.01.2024
Geçerlilik Tarihi / Validity Date: 10.01.2025

Karekodla kullanılarak belge geçerliliği kontrol edilebilir.
(You can check the validity of the certificate by using QR code.)

11.01.2024
Ala ÇELİK ARSLANLI
Mühür / Seal

LVT TEST LABORATUVARLARI LTD. ŞTİ. Sayı: Mükemmel Konya'da Sak. Sk. 4 Cad. No: 9 / Şişli / Kızılkaya / ANKARA - Tel: 0 312 810 1125 - 20 - www.lvt.com.tr - info@lvt.com.tr

Lvt **CE**

UYGUNLUK BEYANI ONAY SERTİFİKASI
DECLARATION OF CONFORMITY APPROVAL CERTIFICATE

Belirli Gerilim Sınırları İçin Tasarlanan
Elektrikli Ekipman İle İlgili Yönetmelik - 2014/35/AB
The Low Voltage Directive - 2014/35/EU

Belge Numarası / Certificate Number: CE 24-005-0200
Kuruluşun Adı / Name of Company: NİLAS ÇELİK SANAYİ TİCARET ANONİM ŞİRKETİ
Kuruluşun Adresi / Address of Company: SAĞLIK MAH. SOĞUKSU CAD. INTEGRAL ENDÜSTRİ BLOK NO 1A ERGENE / TEKİRDAĞ
Üretim Yeri Adı / Name of Manufacture: SAĞLIK MAH. SOĞUKSU CAD. INTEGRAL ENDÜSTRİ BLOK NO 1A ERGENE / TEKİRDAĞ
Üretim Yeri Adresi / Address of Manufacture: SAĞLIK MAH. SOĞUKSU CAD. INTEGRAL ENDÜSTRİ BLOK NO 1A ERGENE / TEKİRDAĞ
Ürün Tanımı / Product Description: 4000 A İBİLİ ACB GİRİŞLİ ALÇAK GERİLİM ANAHTARLAMA VE KONTROL DÜZENİ / 4000 AIB WITH ACB INPUT LOW VOLTAGE SWITCHGEAR AND CONTROLGEAR
Ticari Marka / Trade Mark: NİLPA ELEKTRİK PANO SİSTEMLERİ

Model / Model: 4000 A İBİLİ ACB GİRİŞLİ ALÇAK GERİLİM ANAHTARLAMA VE KONTROL DÜZENİ / 4000 AIB WITH ACB INPUT LOW VOLTAGE SWITCHGEAR AND CONTROLGEAR

İlgili Yönetmelik(ler) / Relevant Directive(s): 2014/35/AB BELİRLİ GERİLİM SINIRLARI İÇİN TASARLANAN ELEKTRİKSEL EKİPMAN İLE İLGİLİ YÖNETMELİK / 2014/35/EU THE LOW VOLTAGE DIRECTIVE

İlgili Standart(ler) / Relevant Standard(s): TS EN IEC 61439-1:2021/AC:2022, IEC 61439-1:2020/COE2:2023, TS EN IEC 61439-2:2021, IEC61439-2:2020

Rapor Numarası / Report Number: 23-2011-RD-11-1

İlk Belgelendirme Tarihi / First Certification Date: 11.01.2024
Yeni Yayın Tarihi / New Issue Date: 11.01.2024
Geçerlilik Tarihi / Validity Date: 10.01.2025

Karekodla kullanılarak belge geçerliliği kontrol edilebilir.
(You can check the validity of the certificate by using QR code.)

11.01.2024
Ala ÇELİK ARSLANLI
Mühür / Seal

LVT TEST LABORATUVARLARI LTD. ŞTİ. Sayı: Mükemmel Konya'da Sak. Sk. 4 Cad. No: 9 / Şişli / Kızılkaya / ANKARA - Tel: 0 312 810 1125 - 20 - www.lvt.com.tr - info@lvt.com.tr

Lvt **CE**

CERTIFICATE

Belge No / Certificate No: NİLAS ÇELİK SANAYİ TİCARET ANONİM ŞİRKETİ

Firma / Company: Sağlık Mah. Soğuksu Cad. Integral Endüstri No: 1 A Ergene / Tekirdağ / Türkiye

Adreslerinde bulunan tesisleri KIOSCERT Belgelendirme tarafından denetlenmiş ve Kalite Yönetim Sistemleri / The facilities at the addresses have been audited by KIOSCERT and Quality Management System

ISO 9001:2015

Şartların aşağıdaki kapsamda uygulanması olduğu görülmüştür.
It has been observed that the conditions are applied with in the following scope

Belgelendirme Kapsamı / Certification Scope

ELEKTRİK ANA DAĞITIM PANJARLI BOŞ MAHAFAZALAR, TAĞI PANJOLARI MONTAJ, İMALATI VE SATIŞI / INSTALLATION OF ELECTRICAL MAIN DISTRIBUTION PANELS, EMPTY ENCLOSEURES SECONDARY PANELS, MANUFACTURE, AND SALE

Teknik Alan / Technical Area: IAF KofitAF Code: 10

Sertifika Numarası / QMS-24-1701-NL
Sertifika No / Certificate Number: 17.01.2024
Sertifika İlk Yayın Tarihi / First Issue Date: 17.01.2024
Sertifika Yeniden Yayın Tarihi / Recertification Date: 16.01.2025
Sertifika Geçerlilik Tarihi / Validity Date: 16.01.2025
Sertifika Rezervasyon No ve Tarihi / Reservation Number and Date: 16.01.2025
Belgelendirme Periyodu / Duration: 16.01.2025

IAF KofitAF
IAS ACCREDITED
MISB-230

KIOSCERT

[LOGO]

TURK PATENT
TURKISH PATENT AND TRADEMARK OFFICE

TRADEMARK CERTIFICATE

No: 2023 032725 - Retail - Services

NİLPA
Elektrik Pano Sistemleri

Brand owner

NİLAS ÇELİK SANAYİ TİCARET ANONİM ŞİRKETİ

Classes of goods / services

06, 09, 35, 37, 42

This trademark was registered on 10.07.2024 for a period of 10 years beginning on 15.03.2023 under the Industrial Property Law No. 6769.

[Logo]

[signature]

Prof. Dr. M. Zeki DURAK
Head of Institution

[LOGO]

No : C-23-2610-R0
Customer : NİLAS ÇELİK SANAYİ TİCARET ANONİM ŞİRKETİ
Manufacturer : NİLAS ÇELİK SANAYİ TİCARET ANONİM ŞİRKETİ
Product Description : EMPTY ENCLOSURES
Technical data : IP4X, IP66, IK10
Test Standard : TS EN IEC 62208:2023
Subject : TEST RESULT (POSITIVE)
Labeling, static loads, lifting devices, mechanical operation, axial load testing of metal fittings, protection against external mechanical impacts, degree of protection, testing of insulating materials.
Test(s) performed : Effective grounding continuity between exposed conductive parts of Class I enclosure and protective circuit. Tested for ultraviolet radiation (UV) resistance, corrosion resistance, heat dissipation capability.
Test report number : 23-2610-R0-N0-1
Date of issue : 09.01.2023

[QR Code]

Test Supervisor : Head of Department
Cem AKDOĞAN : Ata Gürül ARSLANLI

You can check the certificate details via the QR code.

//signature//

//signature//

www.lvt.com.tr

[Logo]

TEST CERTIFICATE

No : C-23-2611-R0
Customer : NİLAS ÇELİK SANAYİ TİCARET ANONİM ŞİRKETİ
Manufacturer : NİLAS ÇELİK SANAYİ TİCARET ANONİM ŞİRKETİ
Product Description : ACB SWITCHING AND CONTROL DEVICES WITH LOW VOLTAGE INPUT 4000 A
Subject : NİLPA ELEKTRİK PANO SİSTEMLERİ
Technical Data : I_n: 4000 A, U_i: 1000 V, U_{max}: 12,0 kV, I_{sc}: 65 kA (Main Busbar), I_{sc}: 40 kA (Grounding Busbar), I_{sc}: 65 kA (ABB 4000 A ACB), I_{sc}: 36 kA (ABB 4000 A ACB), Form 4b
Test Standard : TS EN IEC 61439-1:2021+ AC:2022, TS EN IEC 61439 - 2:2021
Subject : TEST RESULT (POSITIVE)
Temperature rise test, dielectric properties, insulation ranges and surface leakage current distances, mechanical operation, electric shock protection and integrity of protection circuits, short circuit resistance.
Test(s) Performed : testing of resistance to abnormal heating and fire caused by internal electrical effects, internal electrical circuits and connections, connecting terminals for external conductors, assembly of switching devices and components
Test Report Number : 23-2611-R0-N1-1
Date of Issue : 09.01.2024

Test Supervisor : Head of Department

Cem AKDOĞAN : Ata Gürül ARSLANLI

[QR Code]

You can check the certificate details via QR code.

//signature//

//signature//

www.lvt.com.tr

